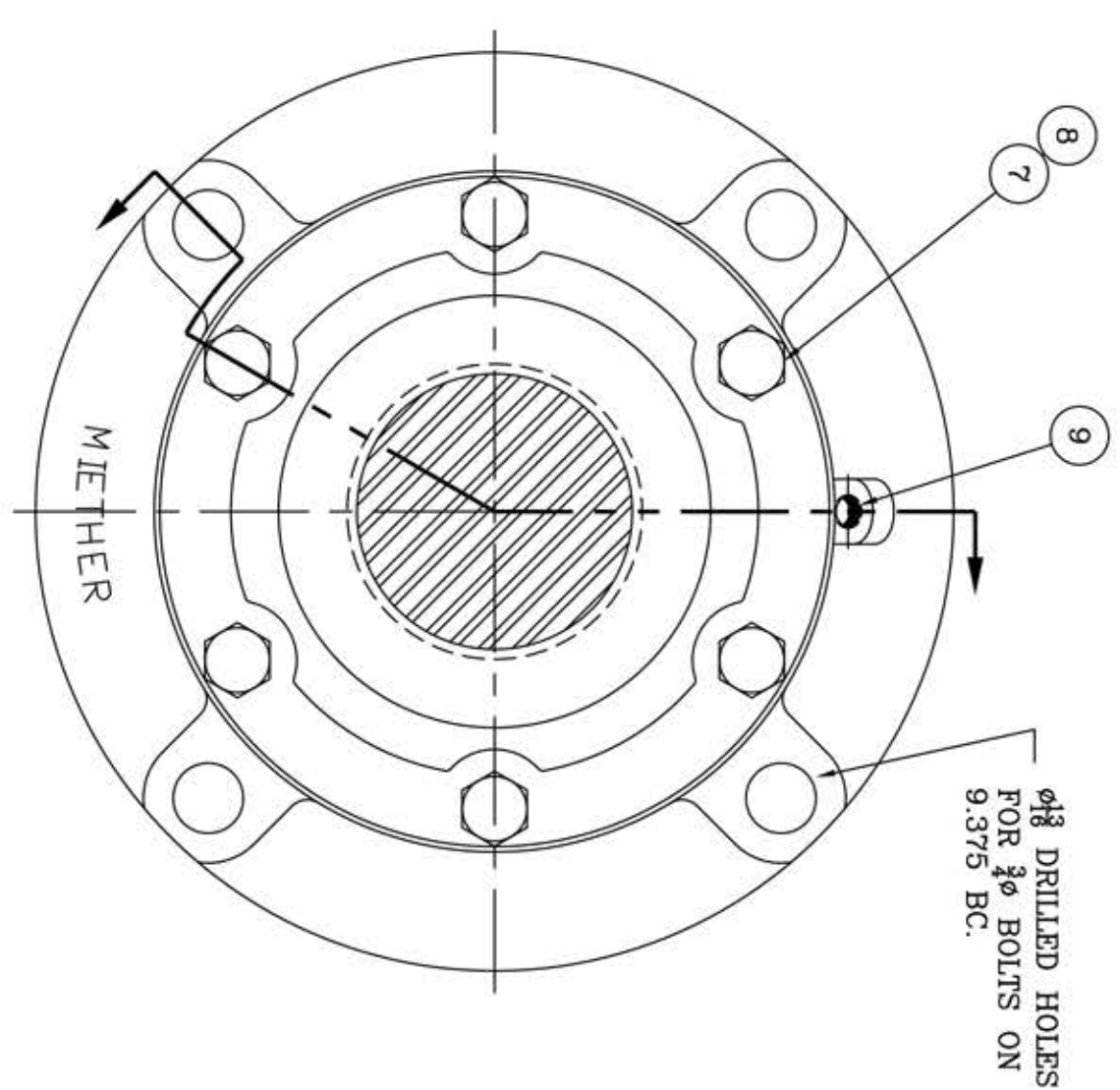
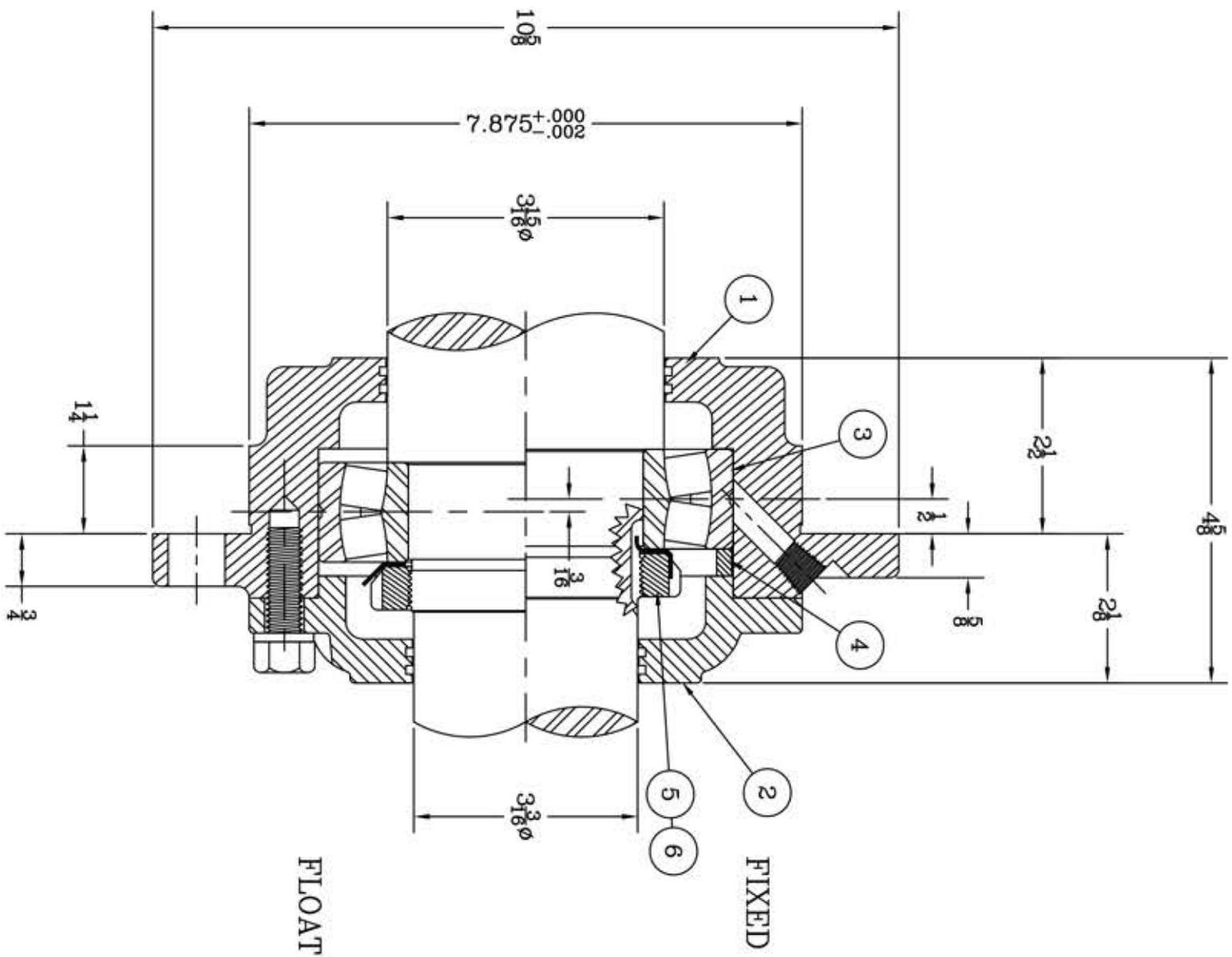


This drawing is the sole property of Miether Bearing Products and contains confidential and proprietary information. It is being provided to you for your use and may not be disclosed to any third party or used for any other purpose without Miether's prior written consent. The [materials] must be returned to the Company upon its demand. Your acceptance of these materials constitutes your acceptance of the foregoing terms.

C-16804



ITEM	DESCRIPTION	DETAIL	REQUIRED
1	HOUSING HL 517	C-16805	1 1
2	ENDCAP KL 517	C-16806	1 1
3	SPHERICAL ROLLER BEARING	22217/W 33	1 1
4	STABILIZING RING SR17-14	A-10600	1 0
5	LOCKNUT AN-17	B-11939	1 1
6	LOCKWASHER W-17	A-18925	1 1
7	HEX HD CAP SCREW	1/2-13 NC X 1 1/2	6 6
8	LOCKWASHER	1/2 SPLIT MED.	6 6
9	PIPE PLUG	1/4-18 NPT	1 1

REDRAWN FOR CONFORMITY AR per KAB 1-16-04  
 REDRAWN ON COMPUTER OMI per KAB 3-29-01

REVISIONS

SYMBOL	DESCRIPTION
C	CASTING
D	DECIMALS
E	ANGLES
F	WELD
G	FINISHES
J	OTHER
K	OTHER

AN ALCO INDUSTRIES COMPANY  
 BEARING PRODUCTS  
 ODESSA, TX. USA

FCL 22217 03-15 x 03-03  
 ASSEMBLY DRAWING  
 SCALE 1 = 1.5  
 DRAWN MJ  
 DATE 6/11/75  
 CHECK: C-16804