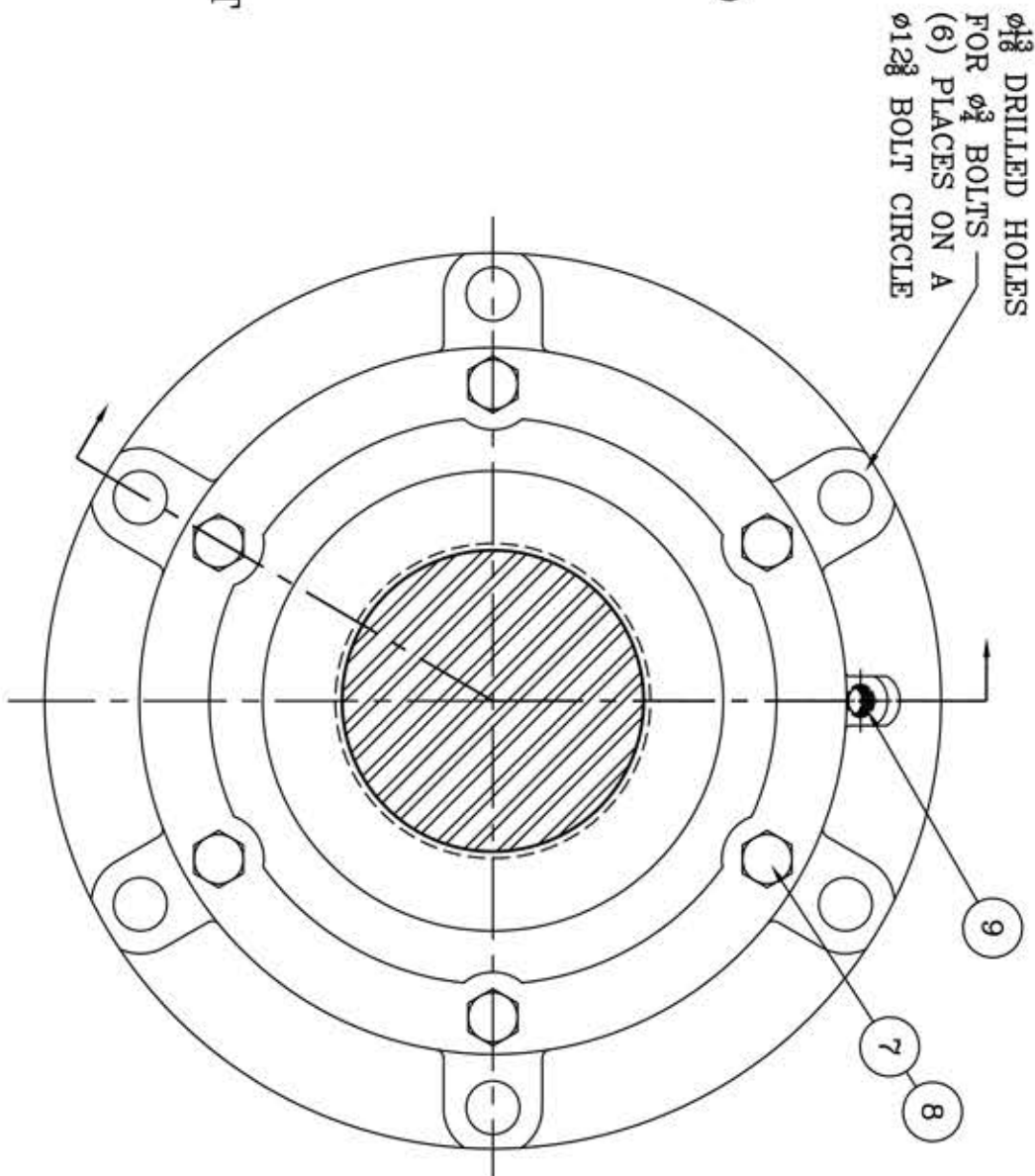
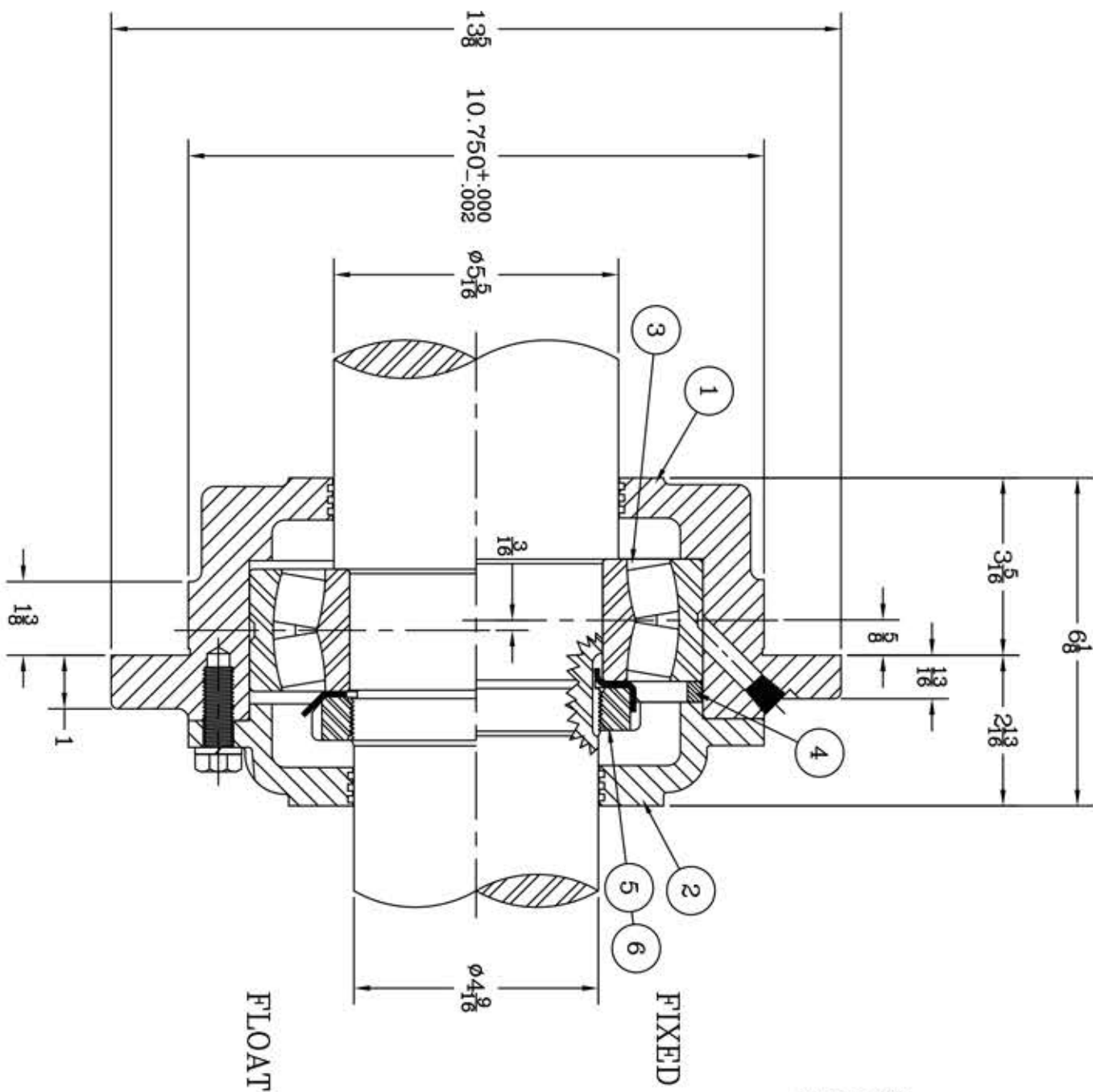


This drawing is the sole property of Miether Bearing Products and contains confidential and proprietary information. It is being provided to you for your use and may not be disclosed to any third party or used for any other purpose without Miether's prior written consent. The [materials] must be returned to the Company upon its demand. Your acceptance of these materials constitutes your acceptance of the foregoing terms.

C-16782



ITEM	DESCRIPTION	DETAIL	REQUIRED
1	HOUSING HL-224	C-16783	1 1
2	ENDCAP KL-224	C-16784	1 1
3	SPHERICAL ROLLER BEARING	22224/W-33	1 1
4	STABILIZING RING 24-20	A-10604	1 0
5	LOCKNUT AN-24	B-10416	1 1
6	LOCKWASHER W-24	~~~~~	1 1
7	CAP BOLT HEX. HEAD	5/16-13 x 1 1/4	6 6
8	LOCKWASHER	1/2 SPLIT	6 6
9	PIPE PLUG	1/4-18 NPT.	1 1

REDRAWN ON COMPUTER
AR per KAB
2-24-04

REVISIONS

SYMBOL	DESCRIPTION
✓	16
✓	32
✓	63
✓	125
✓	250
✓	500
✓	1000

TOLERANCE: UNLESS OTHERWISE SPECIFIED
FRACTIONS ± 1/32" ANGLES ± 0°-30'
DECIMALS ± .005" WELD ± 1/16"
CASTING ± 1/16"
A.I.S.I. STANDARD FINISHES

AN ALCO INDUSTRIES COMPANY
BEARING PRODUCTS
ODESSA, TX. USA

FCL 22224	05-05 x 04-09
ASSEMBLY DRAWING	
SCALE HALF	ASSEMBLY NO.
DRAWN CJ	
DATE 5/26/75	DRAWING NO.
CHK:	C-16782