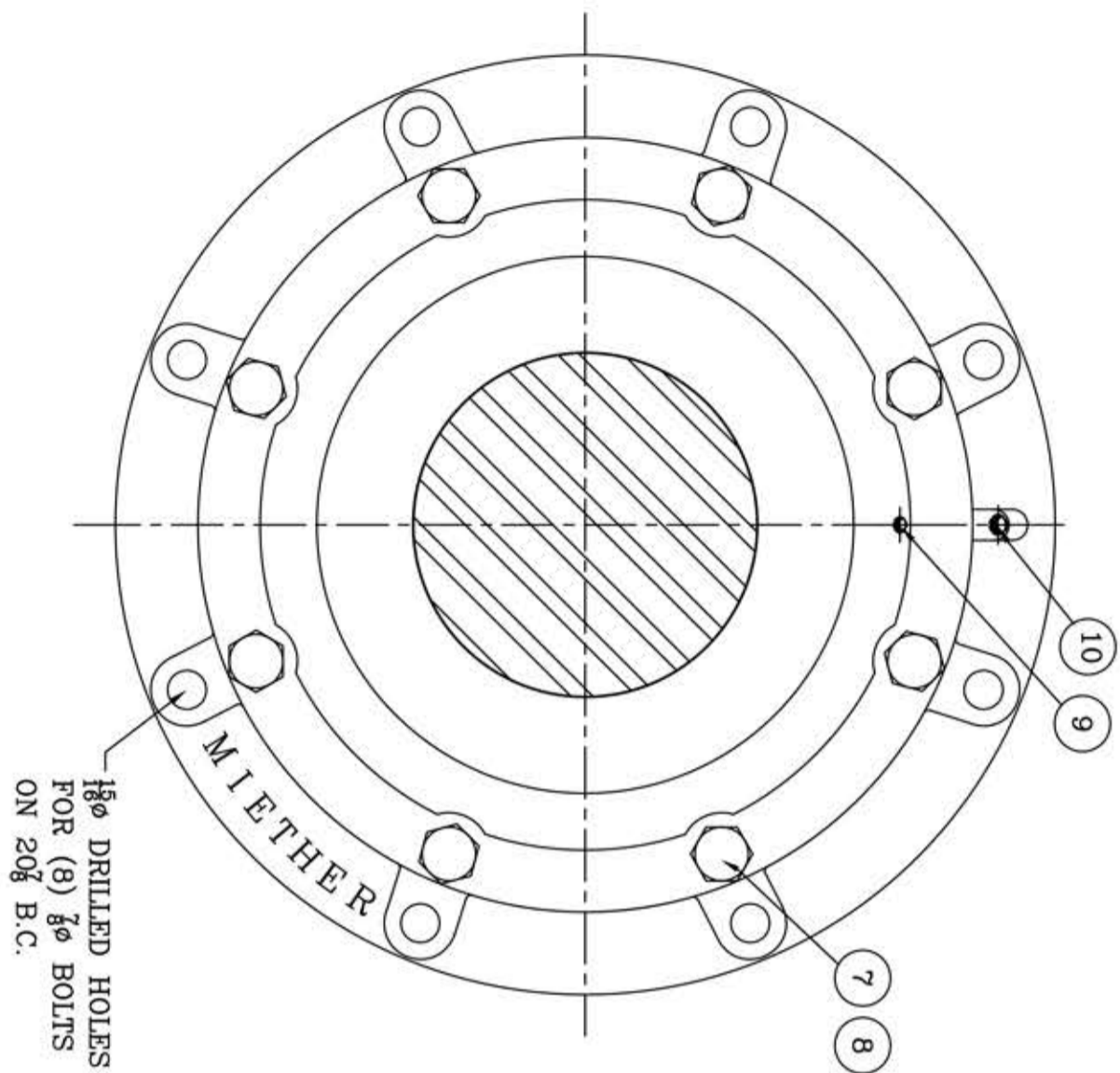
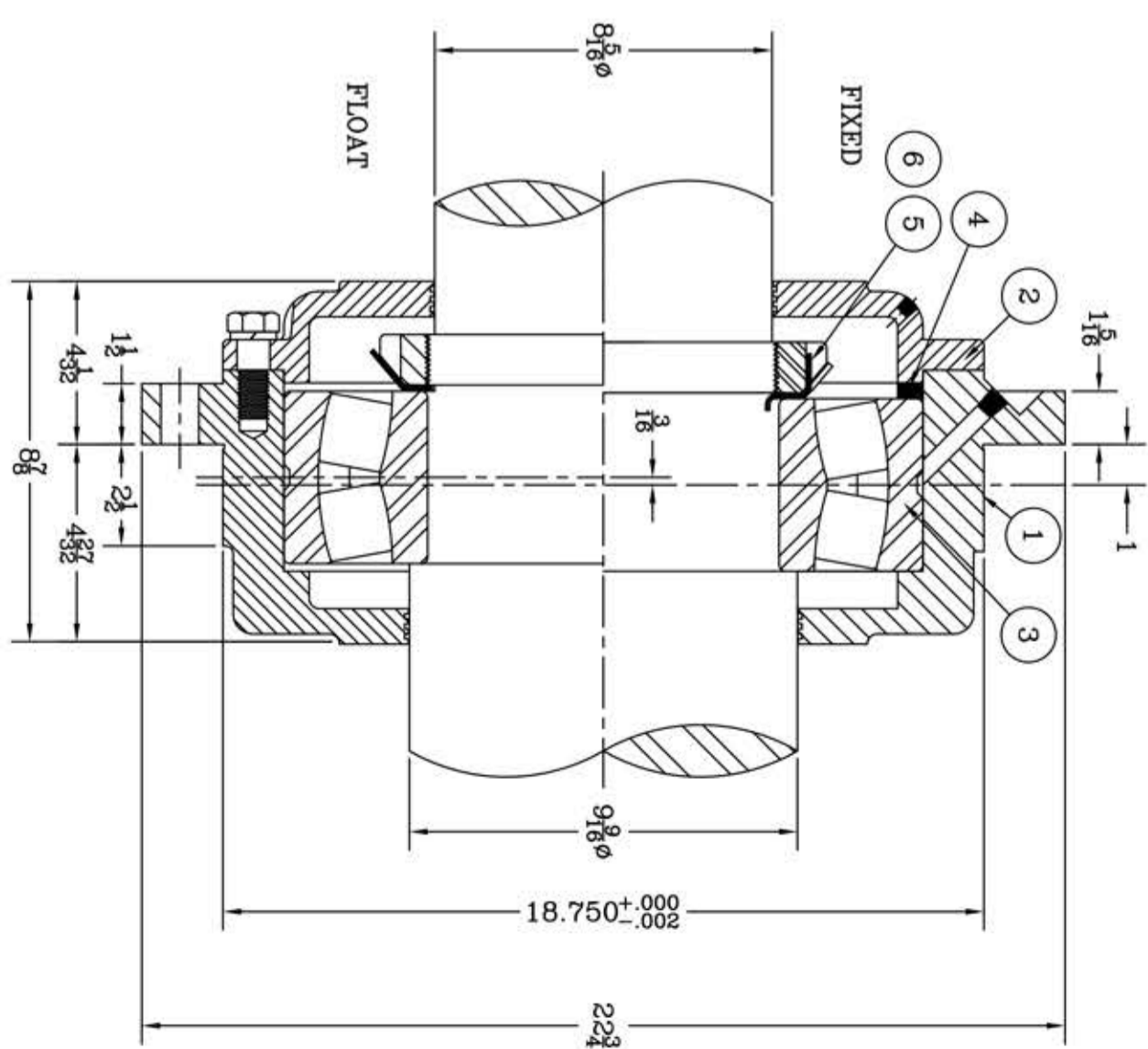


This drawing is the sole property of Miether Bearing Products and contains confidential and proprietary information. It is being provided to you for your use and may not be disclosed to any third party or used for any other purpose without Miether's prior written consent. The [materials] must be returned to the Company upon its demand. Your acceptance of these materials constitutes your acceptance of the foregoing terms.

C-15673



| ITEM | DESCRIPTION | DETAIL | FXD | FL |
|------|-------------------------------------|---------|-----|----|
| 1 | HOUSING HL 244 | C-15671 | 1 | 1 |
| 2 | ENDCAP KL 244 | C-15672 | 1 | 1 |
| 3 | SPHERICAL ROLLER BEARING 22244/W 33 | | 1 | 1 |
| 4 | STABILIZING RING SR 44-38 | A-10612 | 1 | 0 |
| 5 | LOCKNUT N 44 | B-10425 | 1 | 1 |
| 6 | LOCKWASHER W 44 | | 1 | 1 |
| 7 | HX. HD. CAP SCREW 3/4-10 NC X 2" LG | | 8 | 8 |
| 8 | LOCKWASHER 3/4 SPLIT | | 8 | 8 |
| 9 | PIPE PLUG 1/2-27 NPT | | 1 | 1 |
| 10 | PIPE PLUG 1/4-18 NPT | | 1 | 1 |



REDRAWN ON COMPUTER BY 3/7/02

REVISIONS

| SYMBOL | DESCRIPTION |
|--------|-------------|
| C | 16 |
| D | 32 |
| E | 63 |
| F | 125 |
| G | 250 |
| J | 500 |
| K | 1000 |

TOLERANCE: UNLESS OTHERWISE SPECIFIED
 FRACTIONS $\pm 1/32"$ ANGLES $\pm 0^\circ 30'$
 DECIMALS $\pm .005"$ WELD $\pm 1/16"$
 CASTING $\pm 1/16"$

A.I.S.I. STANDARD FINISHES

AN ALCO INDUSTRIES COMPANY
 BEARING PRODUCTS
 ODESSA, TX. USA

| | |
|------------------|---------------------|
| FCL 22244 | 09-09 x 08-05 |
| ASSEMBLY DRAWING | |
| SCALE 1 = 3 | ASSEMBLY NO. |
| DRAWN JC | |
| DATE 9/6/72 | DRAWING NO. C-15673 |
| CHK: | |