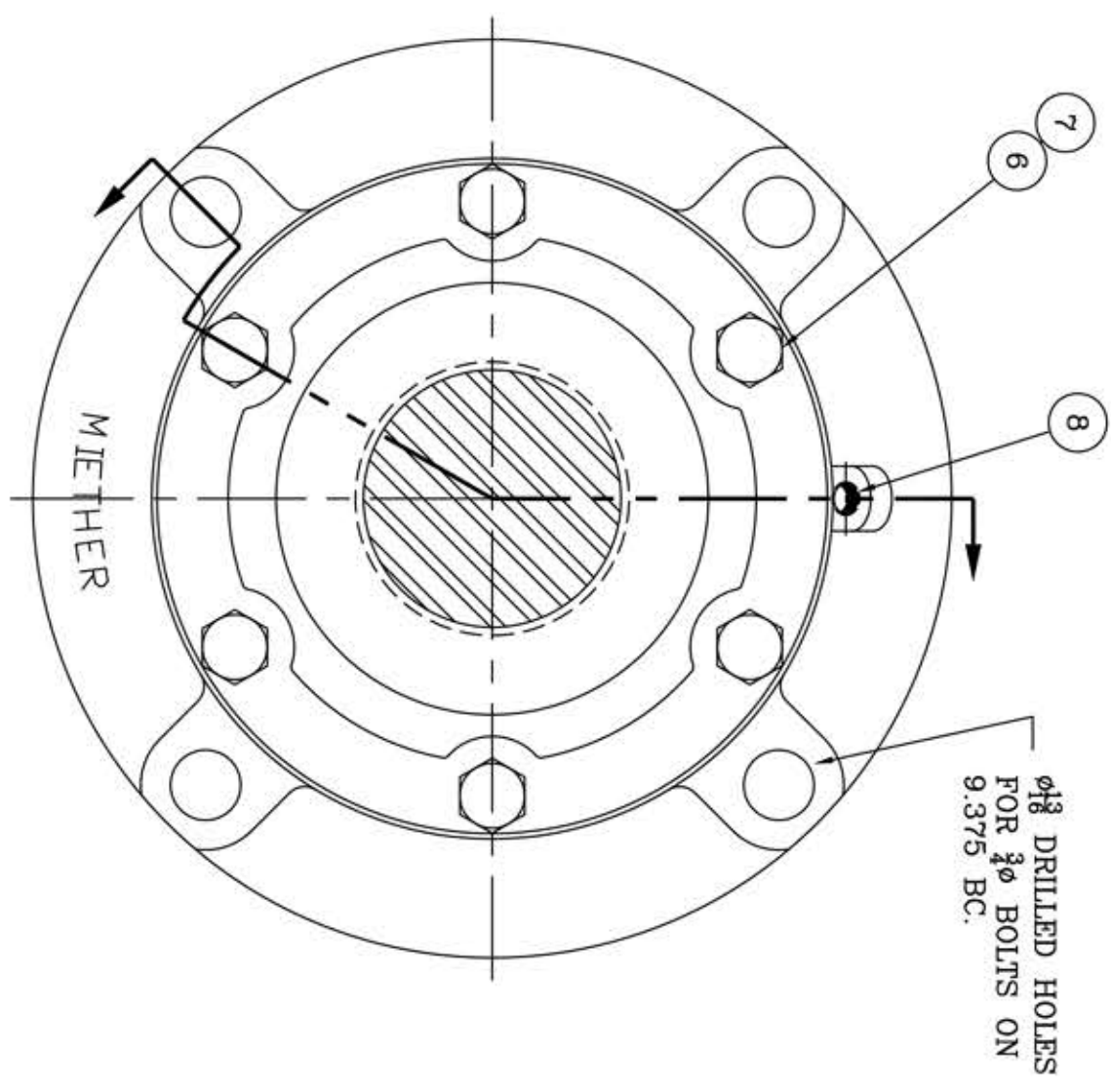
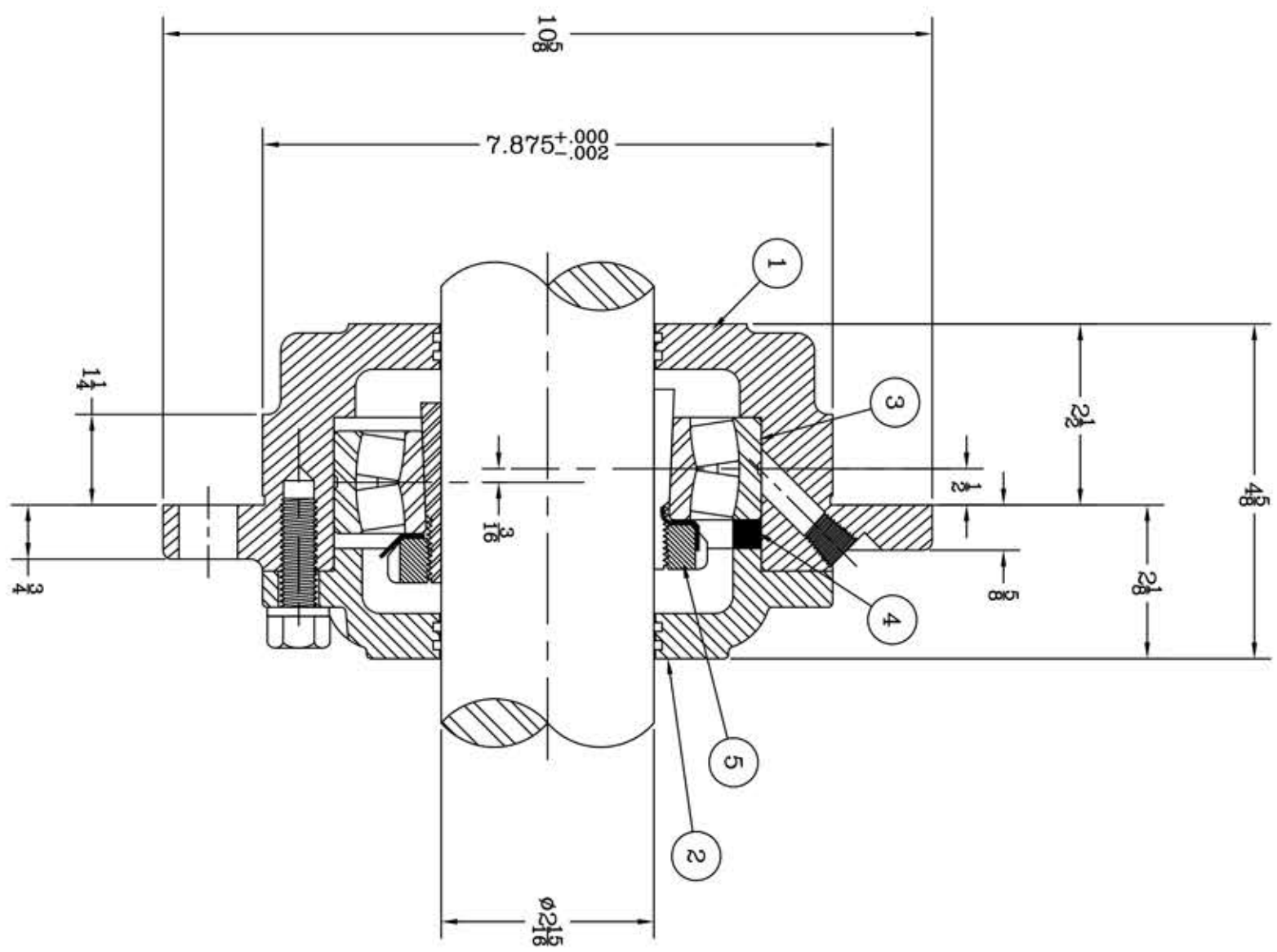


This drawing is the sole property of Miether Bearing Products and contains confidential and proprietary information. It is being provided to you for your use and may not be disclosed to any third party or used for any other purpose without Miether's prior written consent. The [materials] must be returned to the Company upon its demand. Your acceptance of these materials constitutes your acceptance of the foregoing terms.



ITEM	DESCRIPTION	DETAIL	REQUIRED
1	HOUSING HL 517	C-12155	1 1
2	ENDCAP KL 517	C-12156	1 1
3	SPHERICAL ROLLER BEARING	22217K/W 33	1 1
4	STABILIZING RING SR17-14	A-10600	1 0
5	ADAPTER SNW 17 02-15	B-24410	1 1
6	HEX HD CAP SCREW	1/2-13 NC X 1 1/2	6 6
7	LOCKWASHER	1/2 SPLIT MED.	6 6
8	PIPE PLUG	1/2-18 NPT	1 1

REDRAWN FOR CONFORMITY AR per KAB 12-15-03

REDRAWN ON COMPUTER OMI per KAB 8-26-96

REVISIONS

SYMBOL	DESCRIPTION	DATE	BY
C	16	32	63
D	32	63	125
E	63	125	250
F	125	250	500
G	250	500	1000
J	500	1000	
K	1000		

TOLERANCE: UNLESS OTHERWISE SPECIFIED

FRACTIONS ± 1/32° ANGLES ± 0° 30'

DECIMALS ± .005° WELD ± 1/16°

CASTING ± 1/16°

A.I.S.I. STANDARD FINISHES

AN ALCO INDUSTRIES COMPANY

BEARING PRODUCTS

ODESSA, TX. USA

FCL 22517 02-15	ASSEMBLY DRAWING
SCALE 1 = 1.5	ASSEMBLY NO.
DRAWN REB	DRAWING NO.
DATE 3/17/68	C-12013
CHK:	