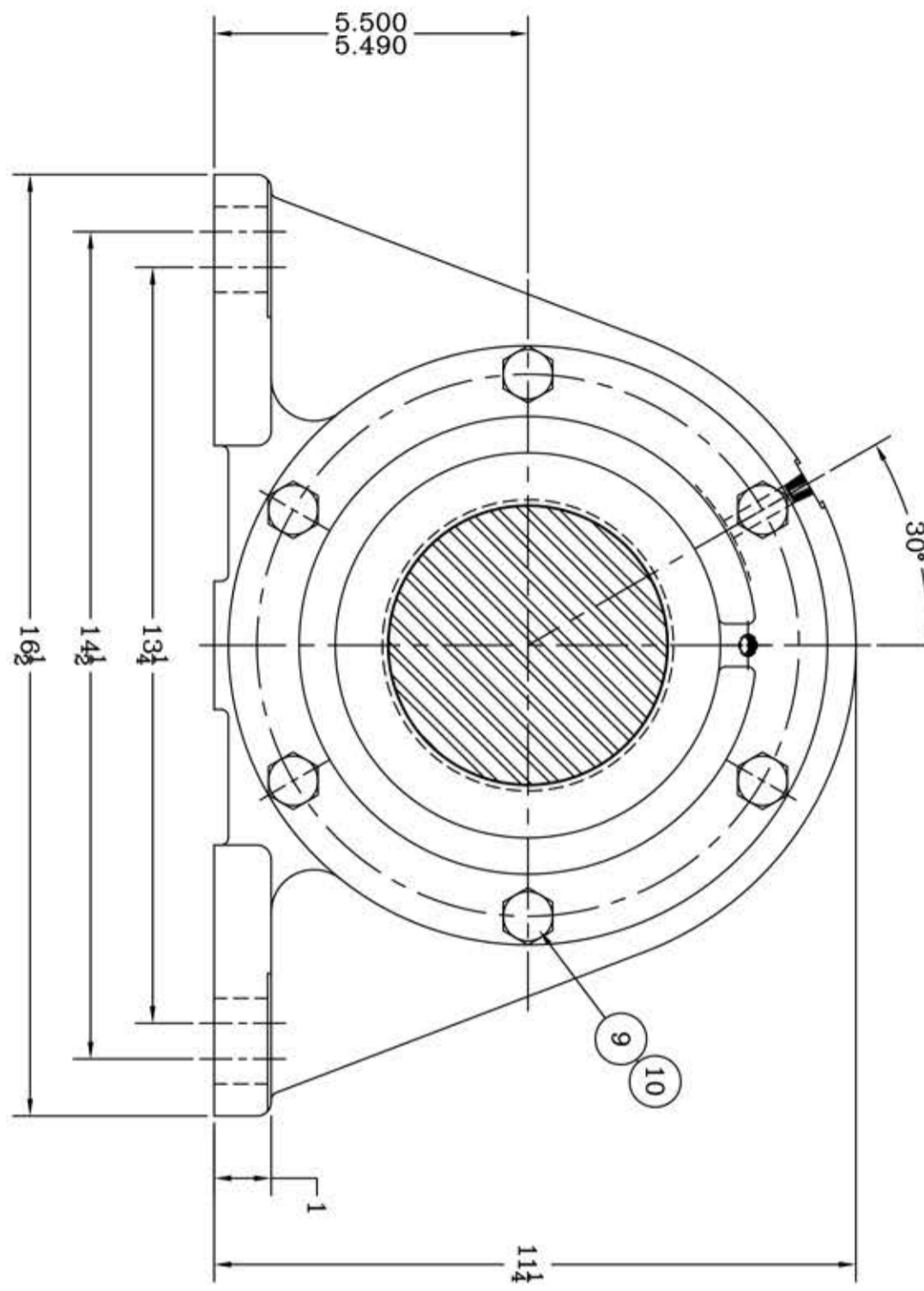
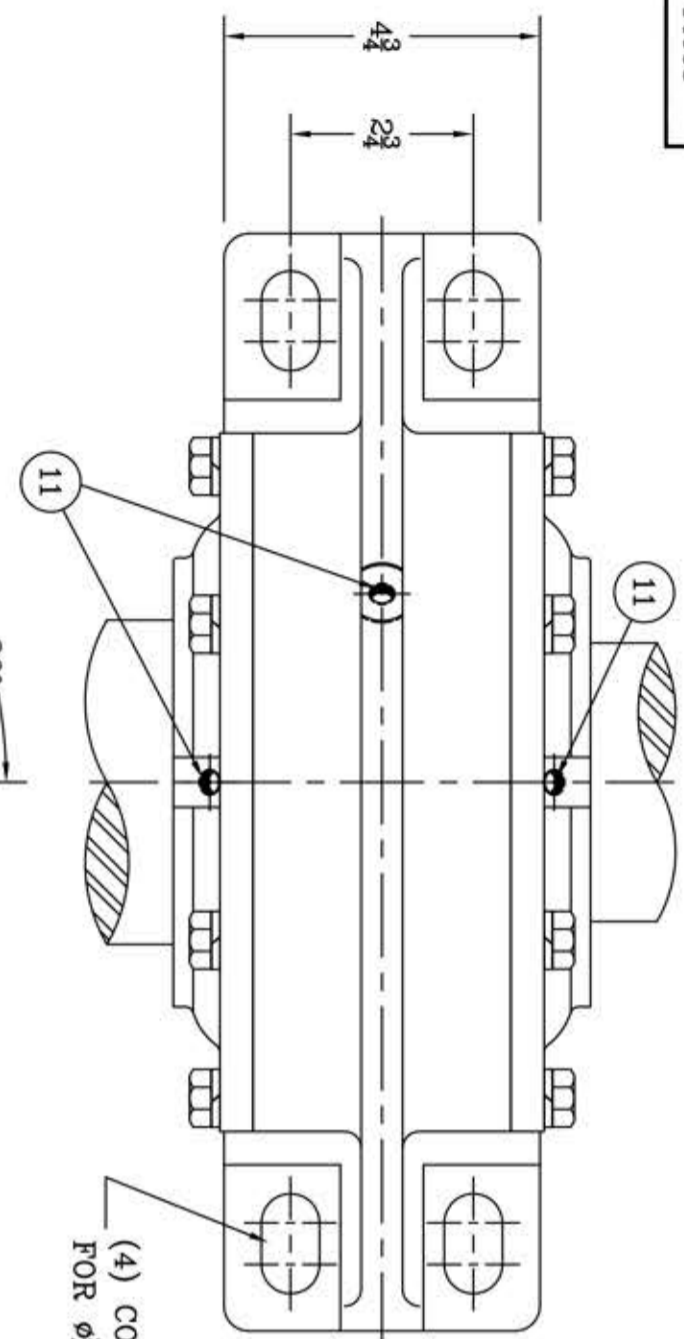
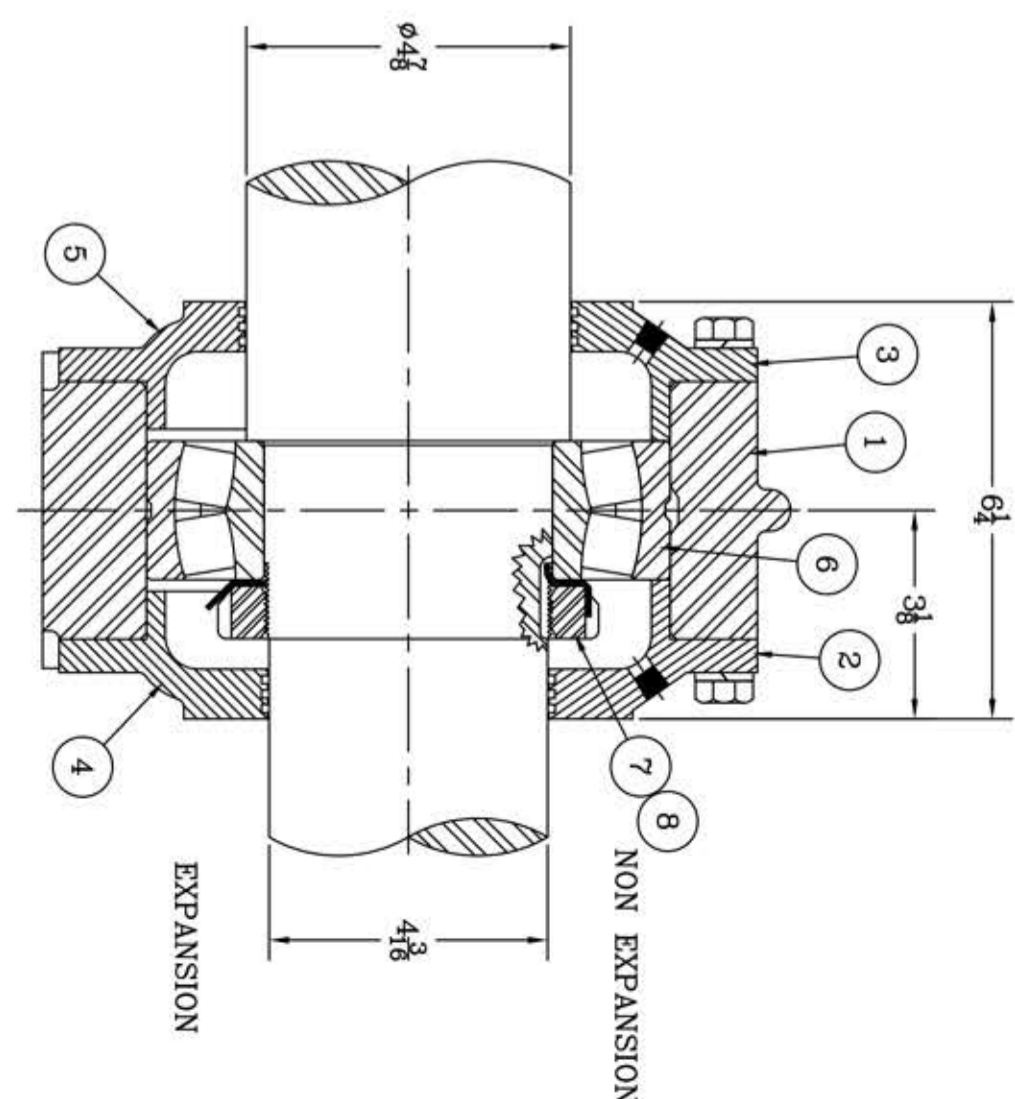


This drawing is the sole property of Miether Bearing Products and contains confidential and proprietary information. It is being provided to you for your use and may not be disclosed to any third party or used for any other purpose without Miether's prior written consent. The [materials] must be returned to the Company upon its demand. Your acceptance of these materials constitutes your acceptance of the foregoing terms.

C-14663



ITEM	DESCRIPTION	DETAIL	PER UNIT
			NEL EL
1	HOUSING M 3004	C-22131	1 1
2	ENDCAP F-3080	C-22324	1 0
3	ENDCAP F-3081	C-22324	0 1
4	ENDCAP F-3082	C-22328	1 0
5	ENDCAP F-3083	C-22328	0 1
6	SPHERICAL ROLLER BEARING	22222/W33	1 1
7	LOCKNUT AN-22	B-10415	1 1
8	LOCKWASHER W-22	18924	1 1
9	CAP BOLT HEX HEAD	1/2-13 NC x 1 1/2 LONG	12 12
10	LOCKWASHER	1/2 SPLIT MED.	12 12
11	PIPE PLUG	1/2-27 NPT	3 3



REDRAWN ON COMPUTER by RWB 4-17-03

REVISIONS

SYMBOL	DESCRIPTION
C	16
D	32
E	63
F	125
G	250
J	500
K	1000

TOLERANCE: UNLESS OTHERWISE SPECIFIED  
 FRACTIONS  $\pm 1/32$ " ANGLES  $\pm 0^\circ 30'$   
 DECIMALS  $\pm .005$  WELD  $\pm 1/16$ "  
 CASTING  $\pm 1/16$ "  
 A.I.S.I. STANDARD FINISHES

AN ALCO INDUSTRIES COMPANY  
 BEARING PRODUCTS  
 ODESSA, TX. USA

MMW 22222 04-14 x 04-03  
 ASSEMBLY DRAWING  
 SCALE HALF  
 DRAWN CJ  
 DATE 4-24-72  
 CHK: ASSEMBLY NO. DRAWING NO. C-14663