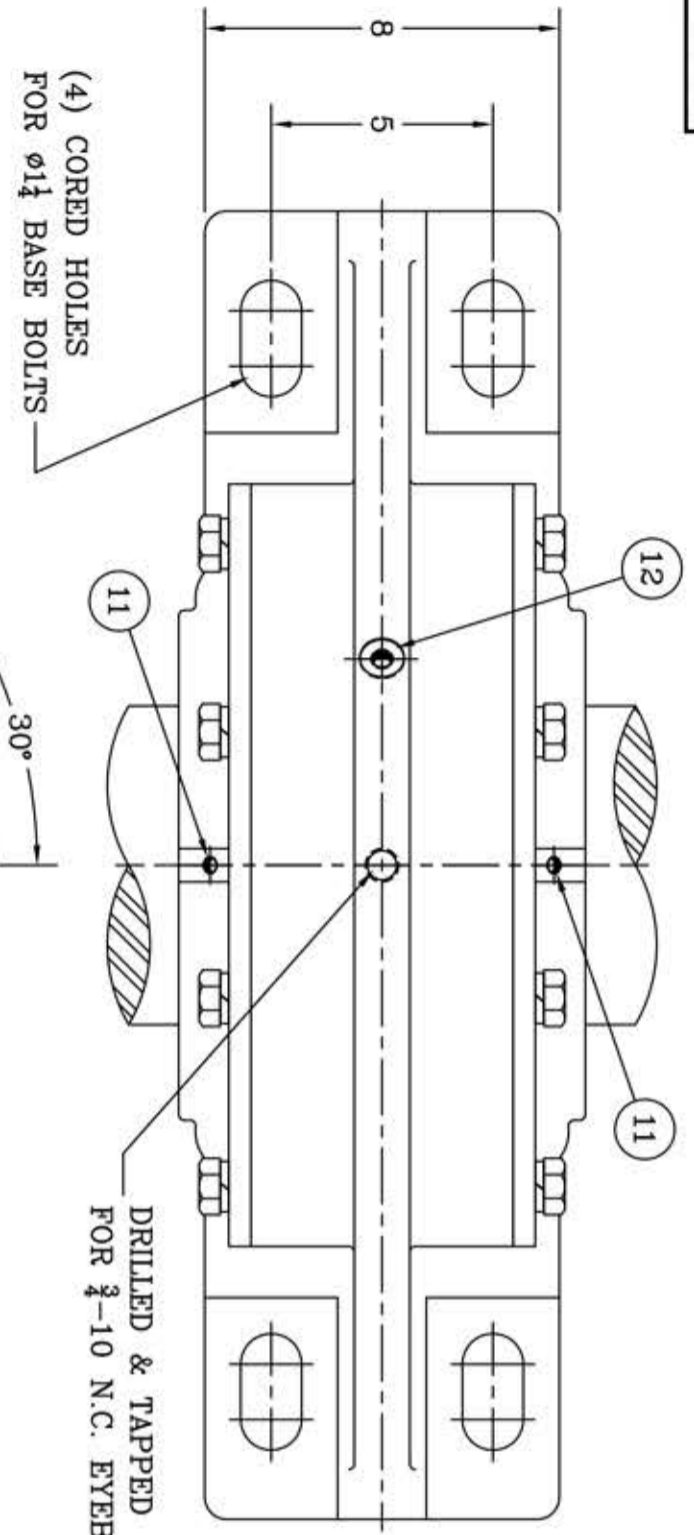
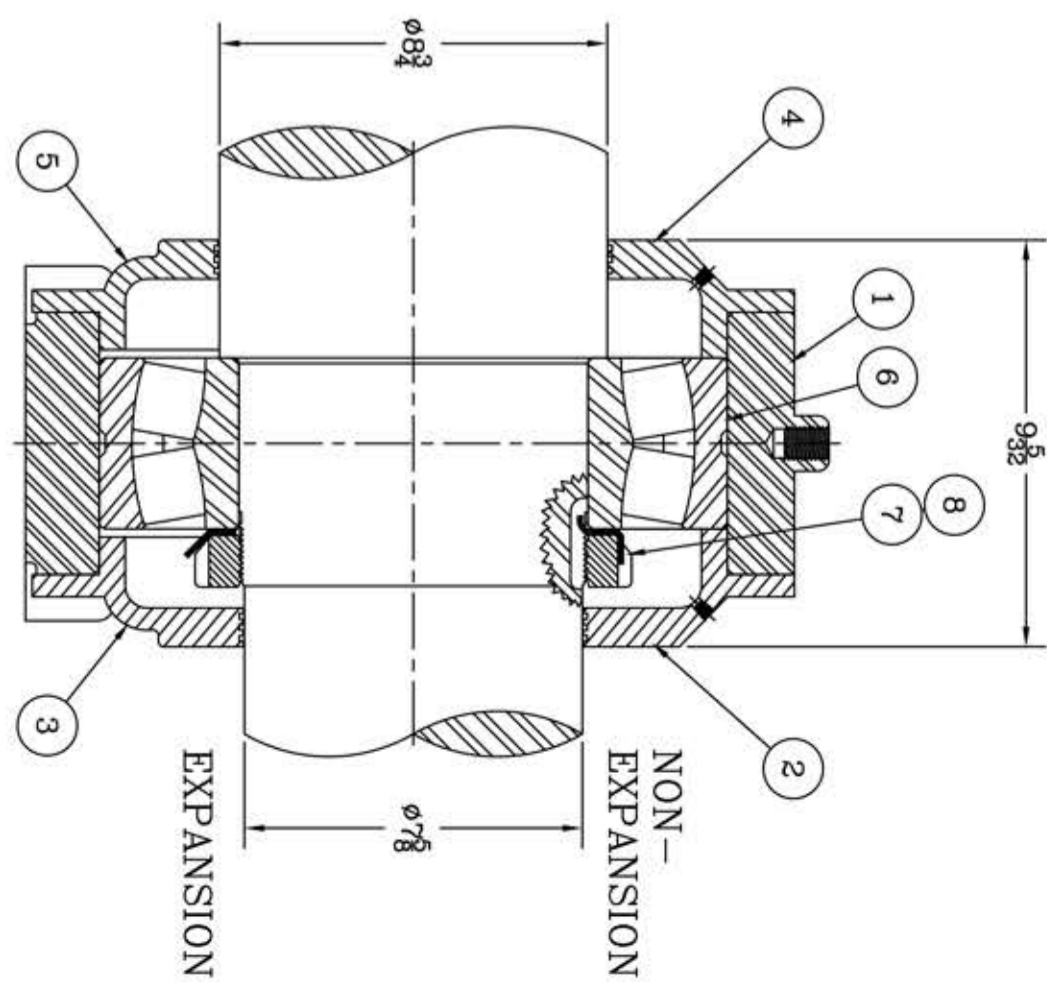
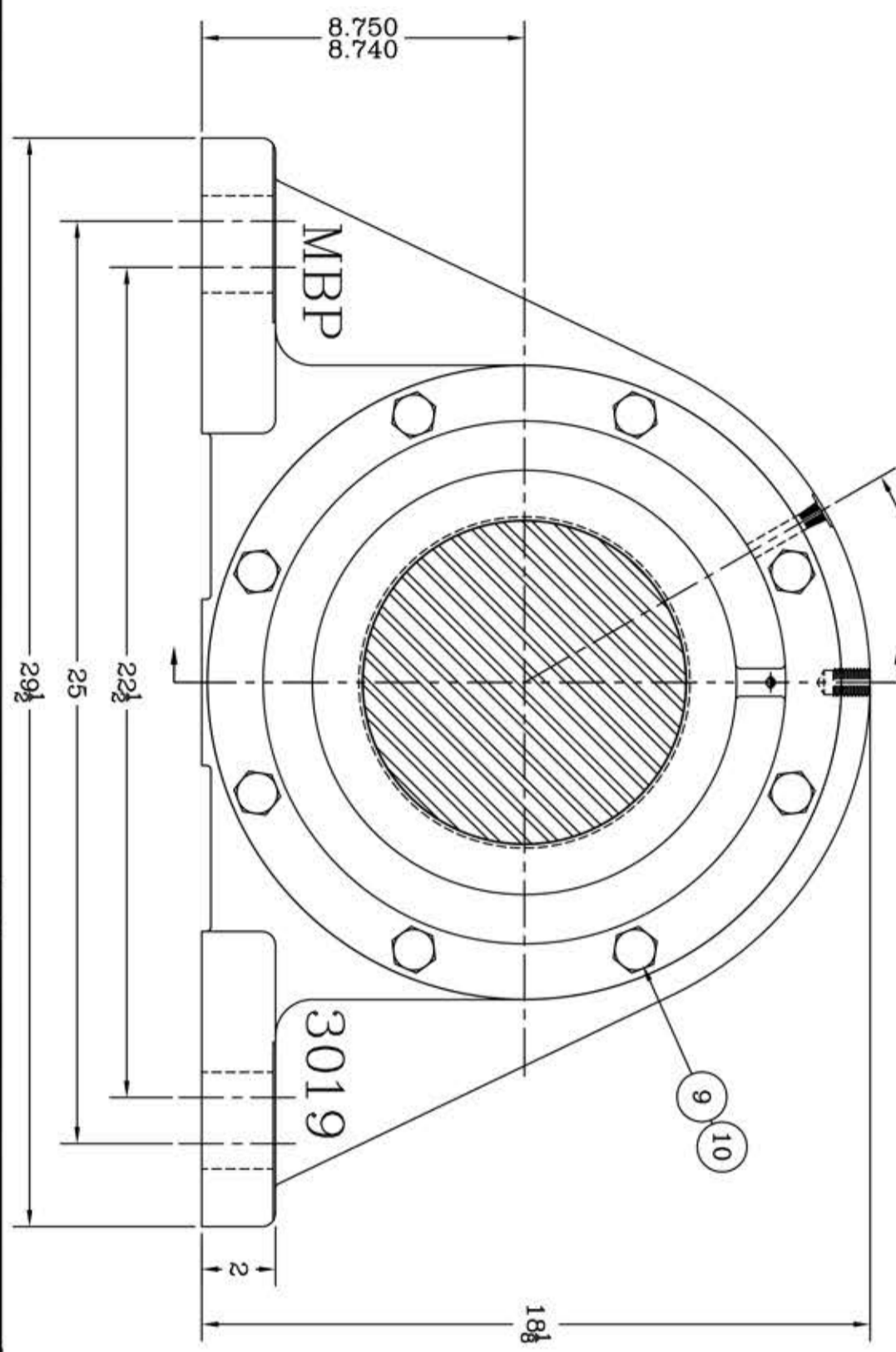


This drawing is the sole property of Miether Bearing Products and contains confidential and proprietary information. It is being provided to you for your use and may not be disclosed to any third party or used for any other purpose without Miether's prior written consent. The [materials] must be returned to the Company upon its demand. Your acceptance of these materials constitutes your acceptance of the foregoing terms.

C-14672



| ITEM | DESCRIPTION | DETAIL | REQUIRED |
|------|--------------------------------------|-------------------|----------|
| 1 | HOUSING M3019 | C-22181 | 1 1 |
| 2 | ENDCAP F3210 NEL | C-22562 | 1 0 |
| 3 | ENDCAP F3211 EL | C-22562 | 0 1 |
| 4 | ENDCAP F3212 NEL | C-22566 | 1 0 |
| 5 | ENDCAP F3213 EL | C-22566 | 0 1 |
| 6 | SPHERICAL ROLLER BEARING | 22240/W-33 | 1 1 |
| 7 | LOCKNUT AN-40 | B-10424 | 1 1 |
| 8 | LOCKWASHER W-40 | 00254 | 1 1 |
| 9 | CAP BOLT HEX. HEAD ¾-10 NC x 1¼ LONG | ¾-10 NC x 1¼ LONG | 16 16 |
| 10 | LOCKWASHER ¾ SPLIT MED. | ¾ SPLIT MED. | 16 16 |
| 11 | PIPE PLUG ¾-27 NPT | ¾-27 NPT | 2 2 |
| 12 | PIPE PLUG ¼-18 NPT | ¼-18 NPT | 1 1 |



REDRAWN ON COMPUTER
RWB per KAB
7-12-03

REVISIONS

| SYMBOL | DESCRIPTION |
|--------|-------------|
| ✓ | 16 |
| ∇ | 32 |
| ∇ | 63 |
| ∇ | 125 |
| ∇ | 250 |
| ∇ | 500 |
| ∇ | 1000 |

TOLERANCE: UNLESS OTHERWISE SPECIFIED

FRACTIONS ± 1/32° ANGLES ± 0° 30'

DECIMALS ± .005° WELD ± 1/16°

CASTING ± 1/16°

A.I.S.I. STANDARD FINISHES

AN ALCO INDUSTRIES COMPANY

ODessa, TX, USA

MMW 22240 08-12 x 07-10

ASSEMBLY DRAWING

SCALE 1 = 3

DRAWN CJ

DATE 12-8-71

CHK:

ASSEMBLY NO.

DRAWING NO.

C-14672