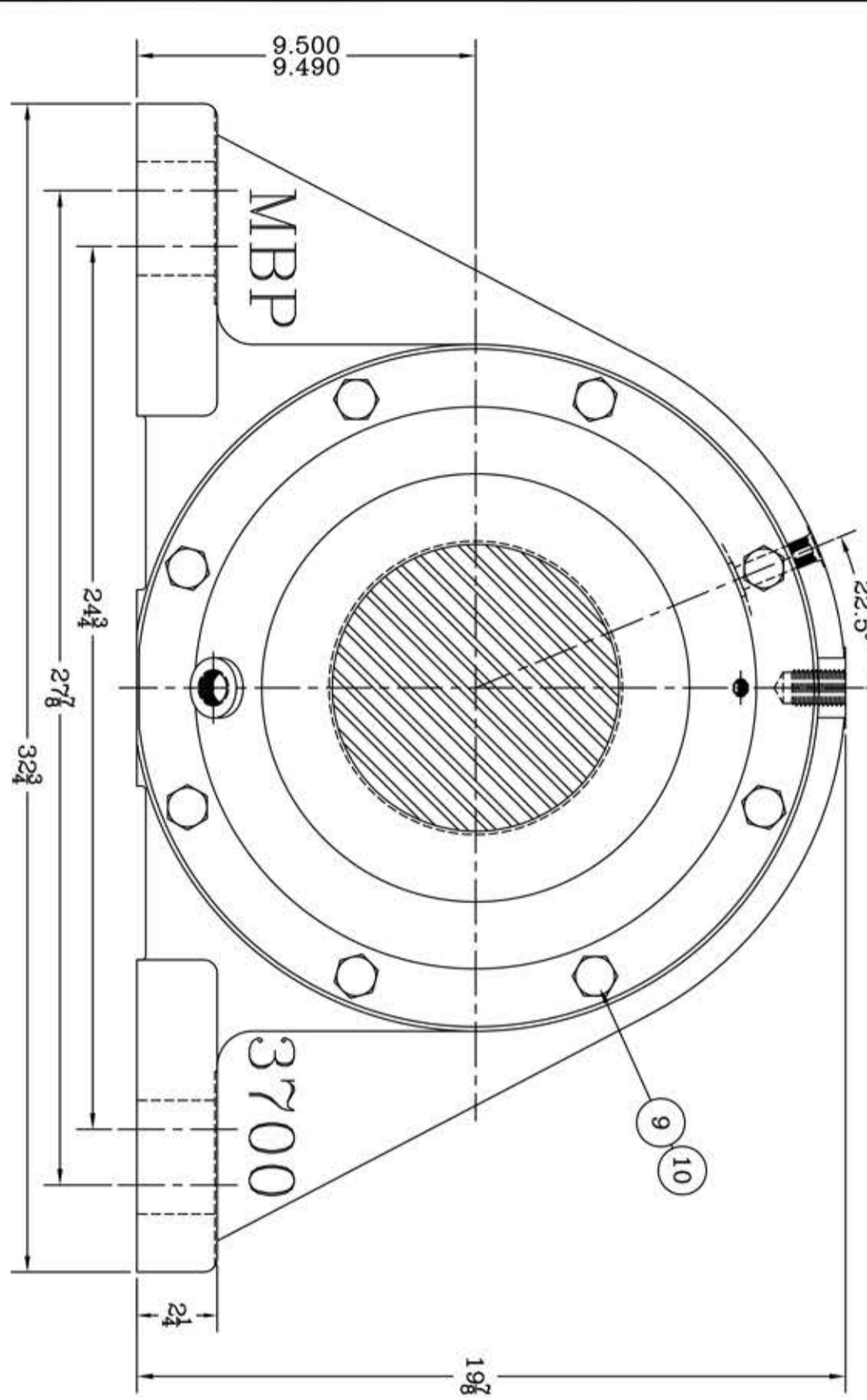
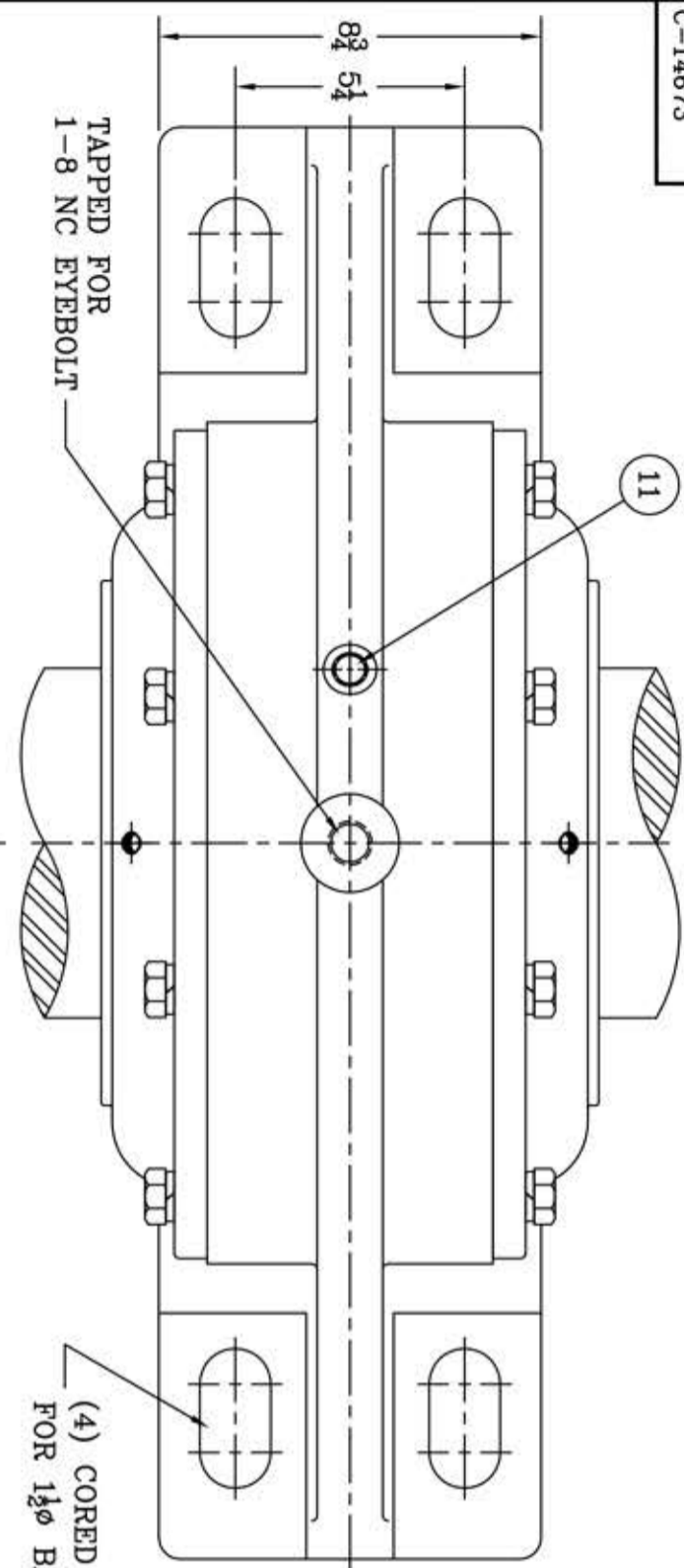
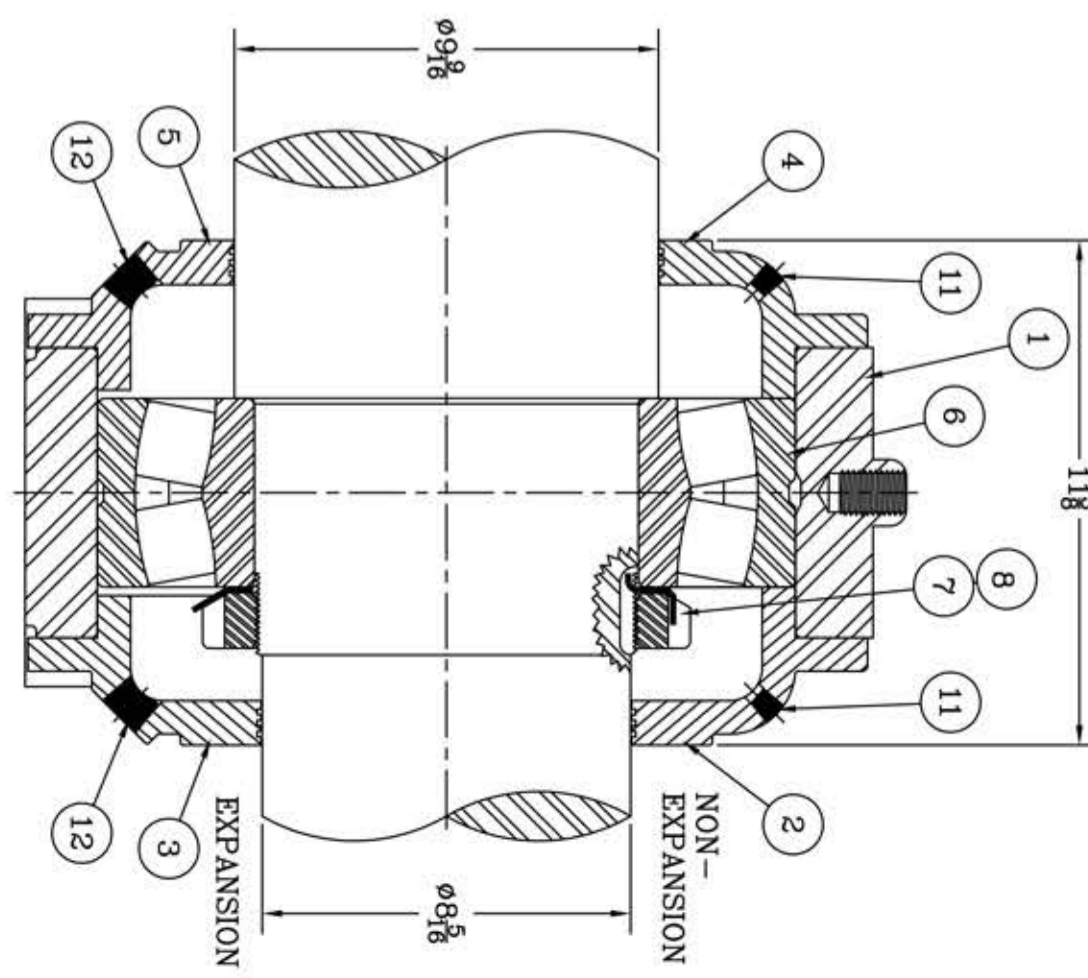


This drawing is the sole property of Miether Bearing Products and contains confidential and proprietary information. It is being provided to you for your use and may not be disclosed to any third party or used for any other purpose without Miether's prior written consent. The [materials] must be returned to the Company upon its demand. Your acceptance of these materials constitutes your acceptance of the foregoing terms.

C-14673



ITEM	DESCRIPTION	DETAIL	REQUIRED
			N EXP. EXP.
1	HOUSING M3700	C-23801	1 1
2	ENDCAP F3678 NEL	C-23220	1 0
3	ENDCAP F3679 EL	C-23220	0 1
4	ENDCAP F3678 NEL	C-23228	1 0
5	ENDCAP F3679 EL	C-23228	0 1
6	SPHERICAL ROLLER BEARING	22244/W-33	1 1
7	LOCKNUT N-44	B-10425	1 1
8	LOCKWASHER W-44	00255	1 1
9	CAP BOLT HEX. HEAD	3/10 NC x 2" LONG	16 16
10	LOCKWASHER	3/4 SPLIT MED.	16 16
11	PIPE PLUG	1/4-18 NPT	3 3
12	PIPE PLUG	3/4-14 NPT	2 2



REDRAWN ON COMPUTER
RWB per KAB
7-15-03

REVISIONS

SYMBOL	DESCRIPTION
C	16
D	32
E	63
F	125
G	250
J	500
K	1000

TOLERANCE: UNLESS OTHERWISE SPECIFIED

FRACTIONS $\pm 1/32"$ ANGLES $\pm 0^\circ 30'$
 DECIMALS $\pm .005"$ WELD $\pm 1/16"$
 CASTING $\pm 1/16"$

AN ALCO INDUSTRIES COMPANY
 BEARING PRODUCTS
 ODESSA, TX. USA

MMW 22244 09-09 x 08-05
 ASSEMBLY DRAWING
 SCALE 1 = 3
 DRAWN CJ
 DATE 12-7-71
 CHECK: C-14673