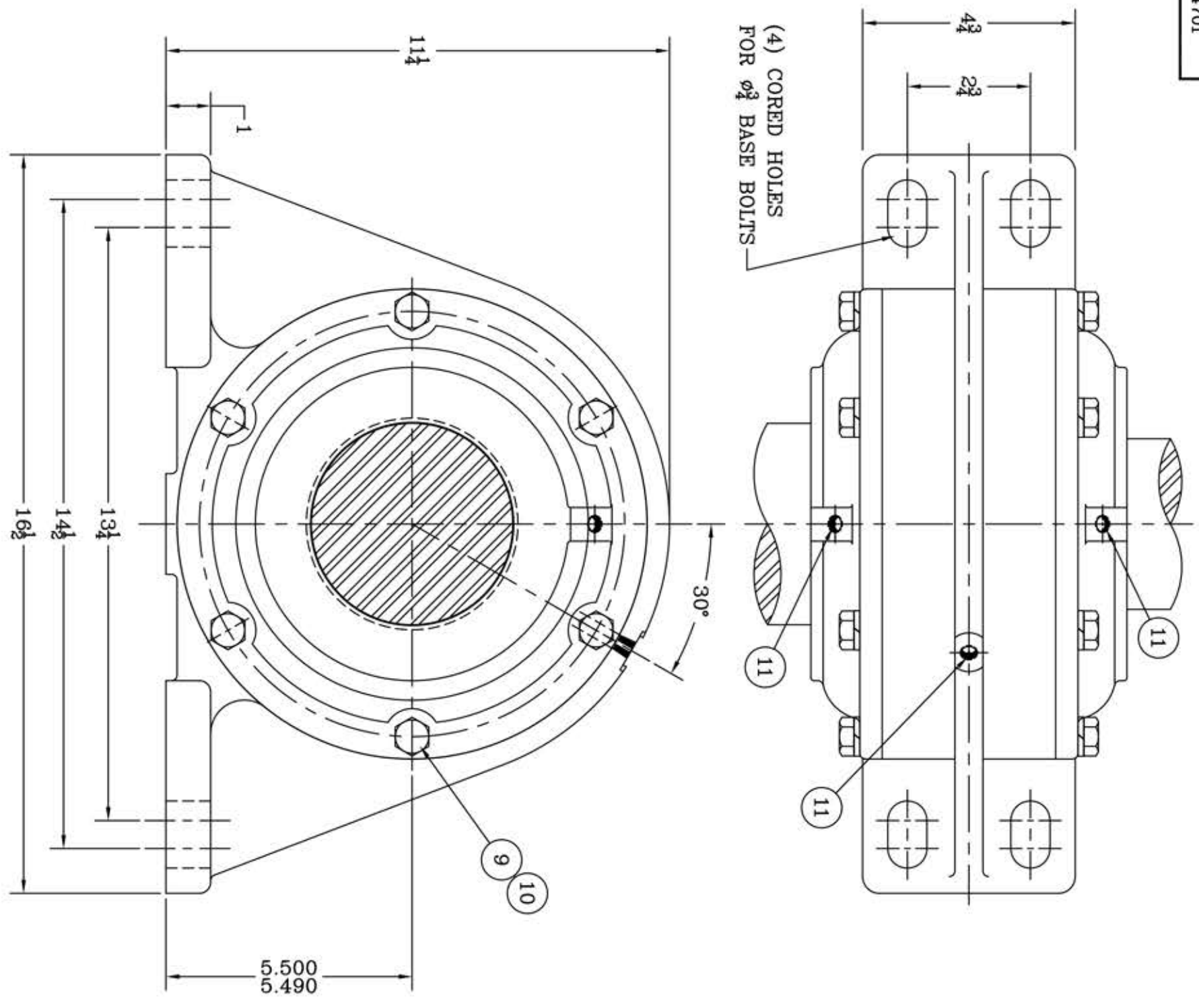
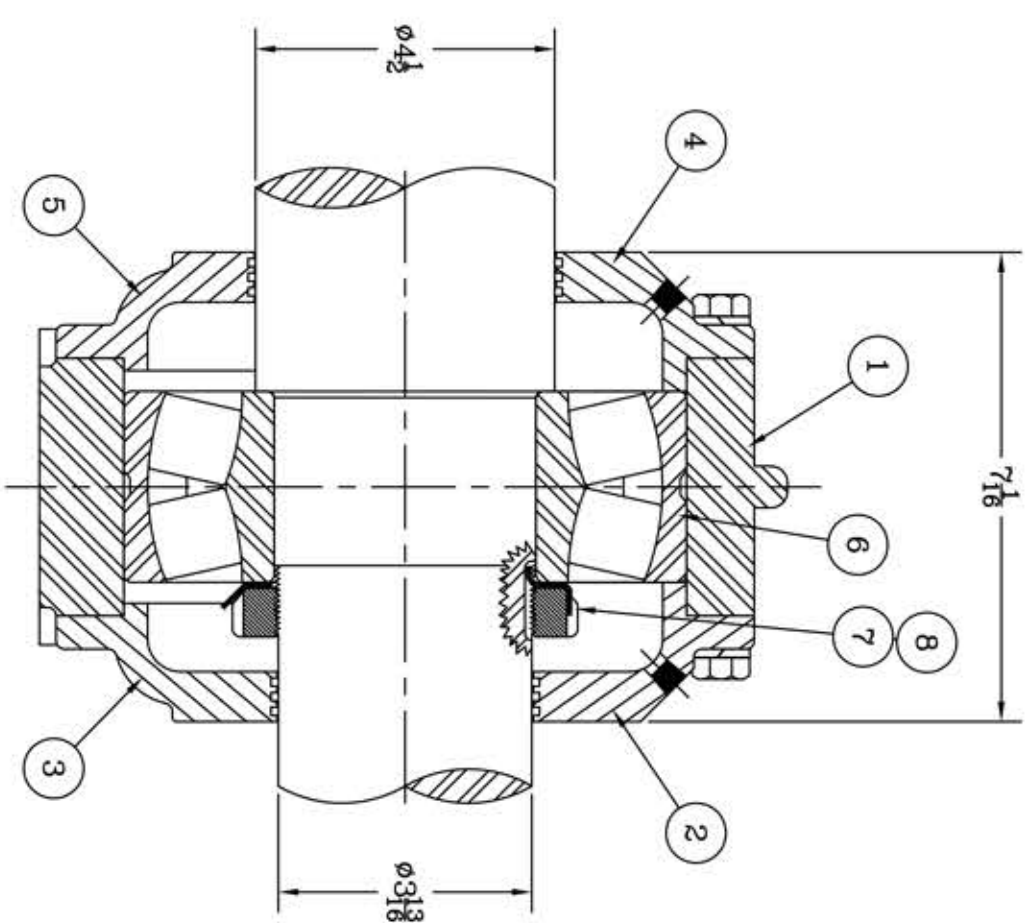


This drawing is the sole property of Miether Bearing Products and contains confidential and proprietary information. It is being provided to you for your use and may not be disclosed to any third party or used for any other purpose without Miether's prior written consent. The [materials] must be returned to the Company upon its demand. Your acceptance of these materials constitutes your acceptance of the foregoing terms.

C-14701



ITEM	DESCRIPTION	DETAIL	REQUIRED
			N EXP EXP.
1	HOUSING M3003	C-03003	1 1
2	ENDCAP F3430 NEL	C-22788	1 0
3	ENDCAP F3431 EL	C-22788	0 1
4	ENDCAP F3432 NEL	C-22792	1 0
5	ENDCAP F3433 EL	C-22792	0 1
6	SPHERICAL ROLLER BEARING 22320/W-33	22320/W-33	1 1
7	LOCKNUT AN-20	B-10785	1 1
8	LOCKWASHER W-20	00244	1 1
9	CAP BOLT HEX. HEAD 1/2-13 NC x 1 1/2 LONG	1/2-13 NC x 1 1/2 LONG	12 12
10	LOCKWASHER 1/2 SPLIT MED.	1/2 SPLIT MED.	12 12
11	PIPE PLUG 1/2-27 NPT	1/2-27 NPT	3 3



REDRAWN ON COMPUTER
RWB per KAB
8-11-03

REVISIONS

SYMBOL	DESCRIPTION
C	✓
D	✓
E	✓
F	✓
G	✓
J	✓
K	✓

TOLERANCE: UNLESS OTHERWISE SPECIFIED
FRACTIONS $\pm 1/32$ " ANGLES $\pm 0^\circ 30'$
DECIMALS $\pm .005$ WELD $\pm 1/16$ "
CASTING $\pm 1/16$ "

A.I.S.I. STANDARD FINISHES

AN ALCO INDUSTRIES COMPANY
BEARING PRODUCTS
ODESSA, TX. USA

MMW 22320	04-08 x 03-13
ASSEMBLY DRAWING	
SCALE HALF	ASSEMBLY NO.
DRAWN CJ	DRAWING NO.
DATE 7-26-71	C-14701
CHK:	