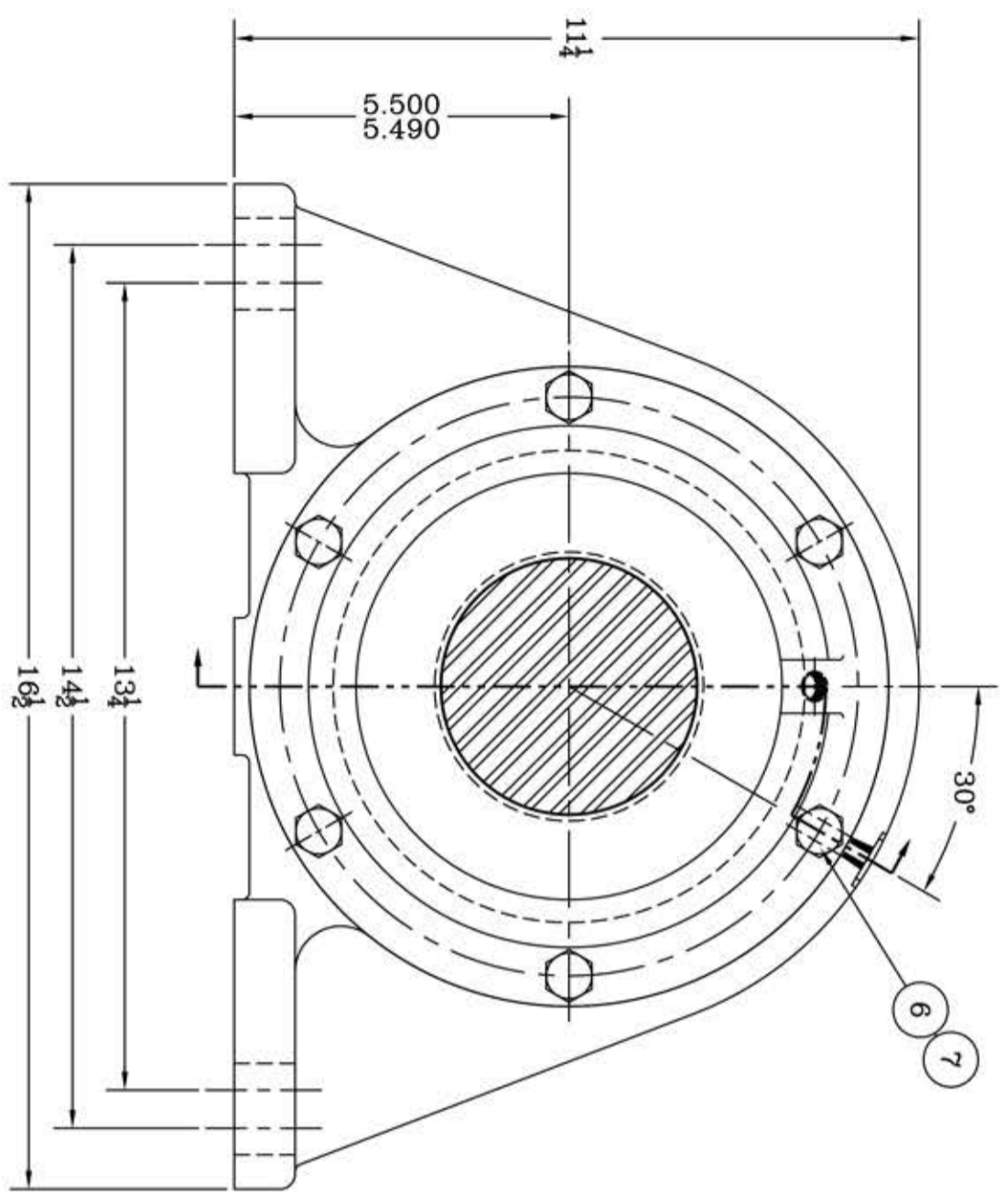
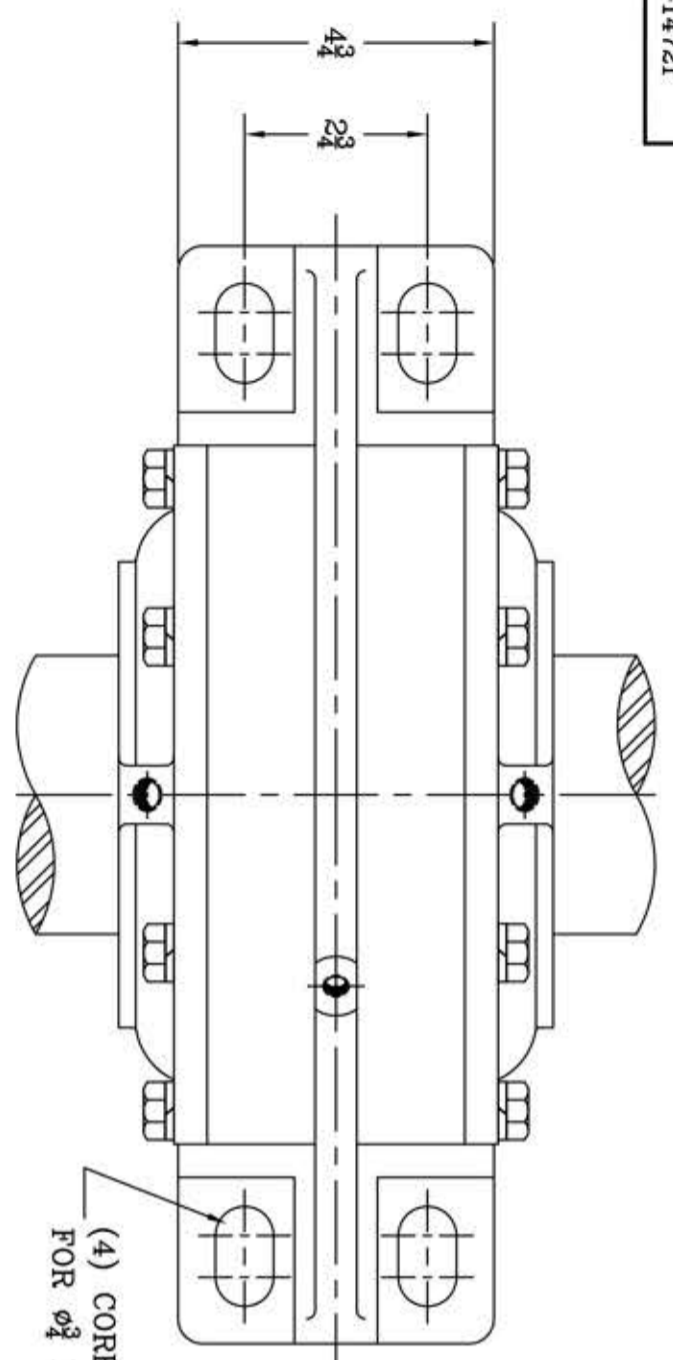
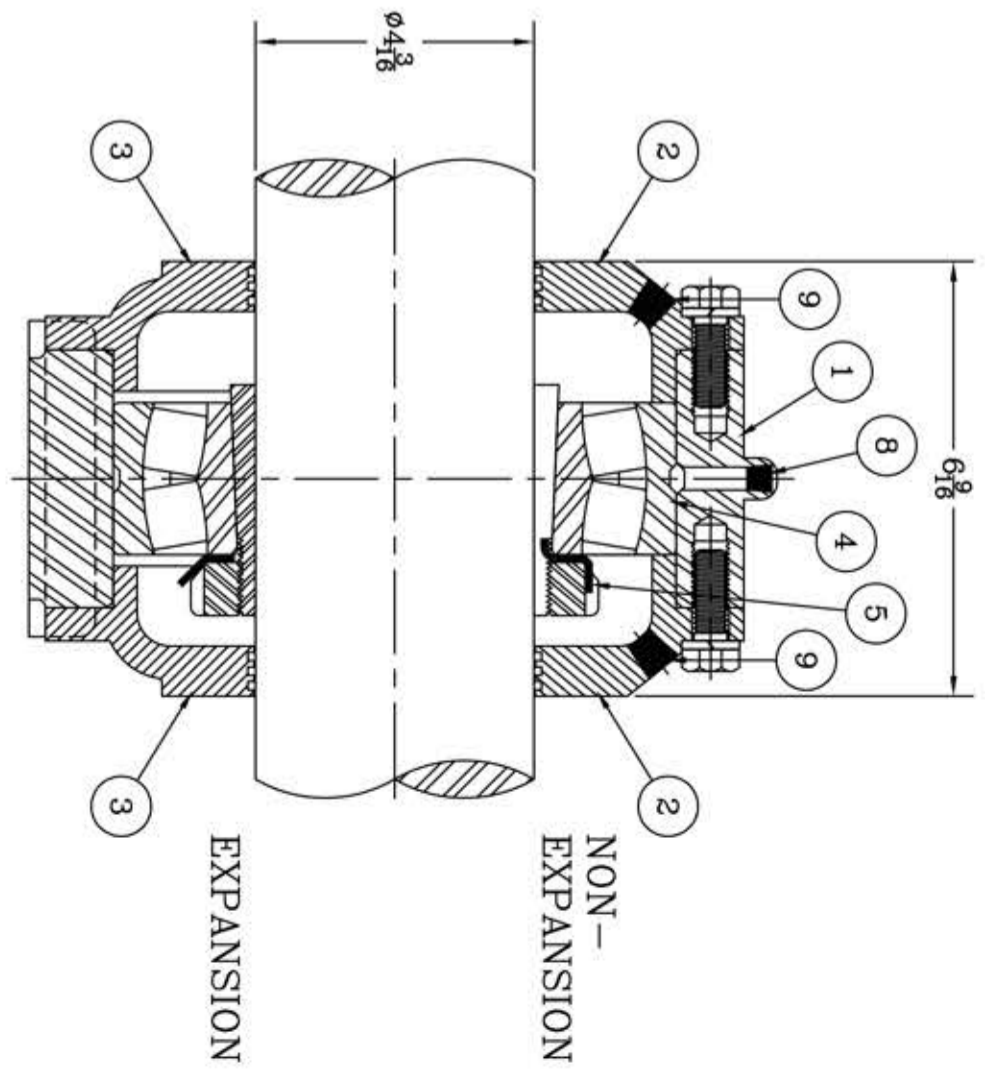


This drawing is the sole property of Miether Bearing Products and contains confidential and proprietary information. It is being provided to you for your use and may not be disclosed to any third party or used for any other purpose without Miether's prior written consent. The [materials] must be returned to the Company upon its demand. Your acceptance of these materials constitutes your acceptance of the foregoing terms.

C-14721



ITEM	DESCRIPTION	DETAIL	REQUIRED
			NES ES
1	HOUSING M3003	C-03003	1 1
2	ENDCAP F3090 NEL	C-22340	2 0
3	ENDCAP F3091 EL	C-22340	0 2
4	SPHERICAL ROLLER BEARING	22224K/W-33	1 1
5	ADAPTER SNW-24 04-03	24426	1 1
6	CAP BOLT HEX. HEAD	1/2-13 NC x 1 1/2 LONG	12 12
7	LOCKWASHER	1/2 SPLIT MED.	12 12
8	PIPE PLUG	1/2-27 NPT	1 1
9	PIPE PLUG	1/4-18 NPT	2 2



REDRAWN ON COMPUTER per KAB by RWB 6-16-03

REVISIONS

SYMBOL	DESCRIPTION	DATE	BY
C	16		
D	32		
E	63		
F	125		
G	250		
J	500		
K	1000		

TOLERANCE: UNLESS OTHERWISE SPECIFIED
 FRACTIONS $\pm 1/32$ "
 DECIMALS $\pm .005$ "
 CASTING $\pm 1/16$ "
 ANGLES $\pm 0^\circ 30'$
 WELD $\pm 1/16$ "
 A.I.S.I. STANDARD FINISHES

MMW 22524 04-03
 ASSEMBLY DRAWING
 SCALE HALF
 DRAWN CJ
 DATE 7-26-72
 CHK:
 ASSEMBLY NO.
 DRAWING NO. C-14721

