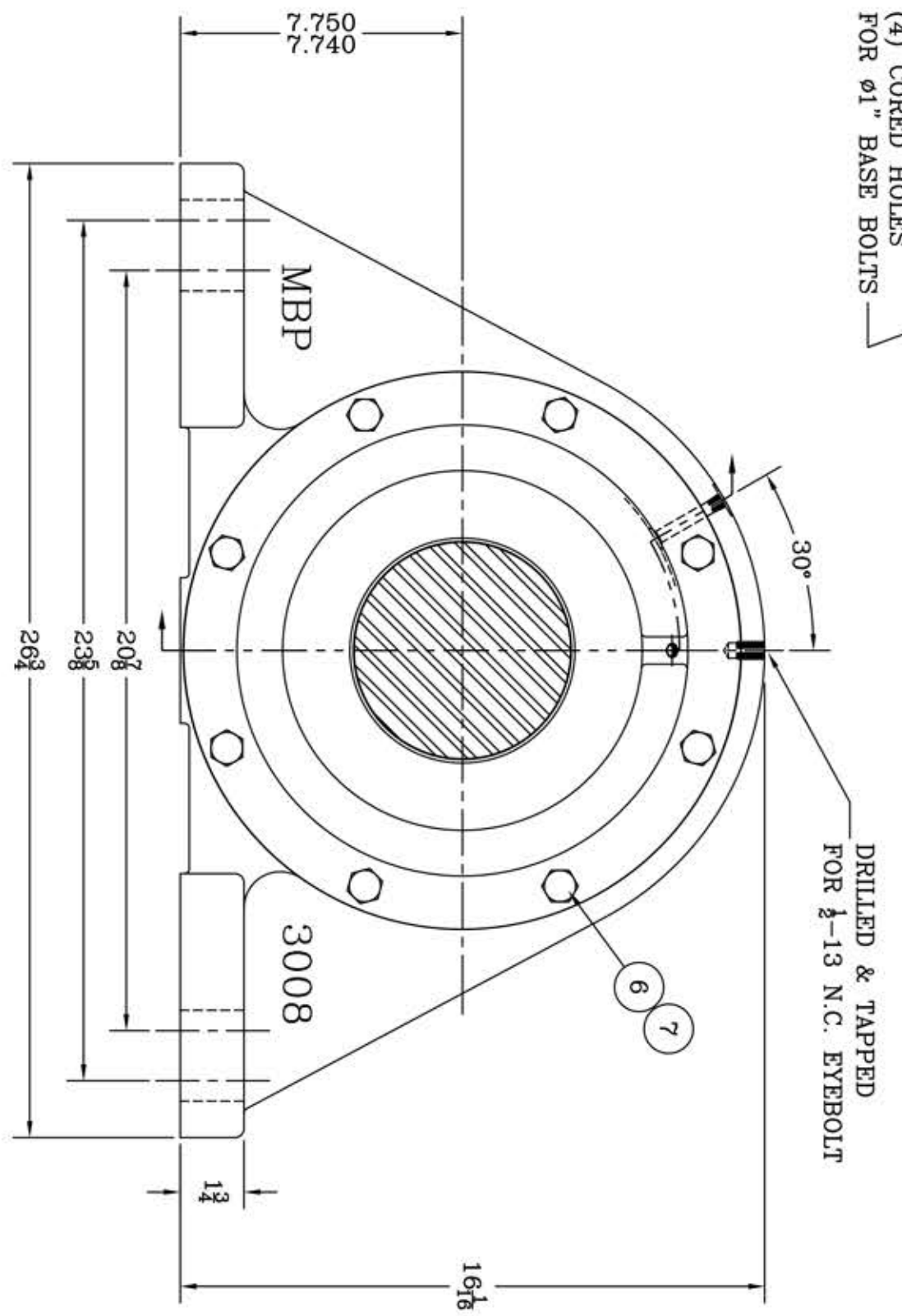
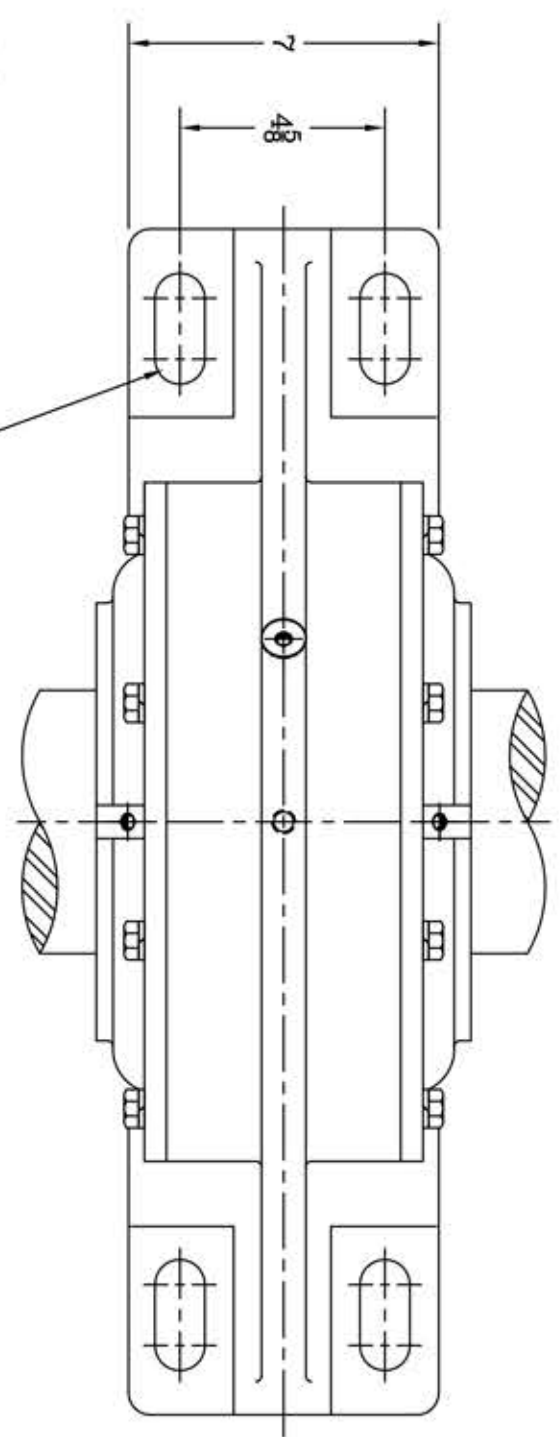
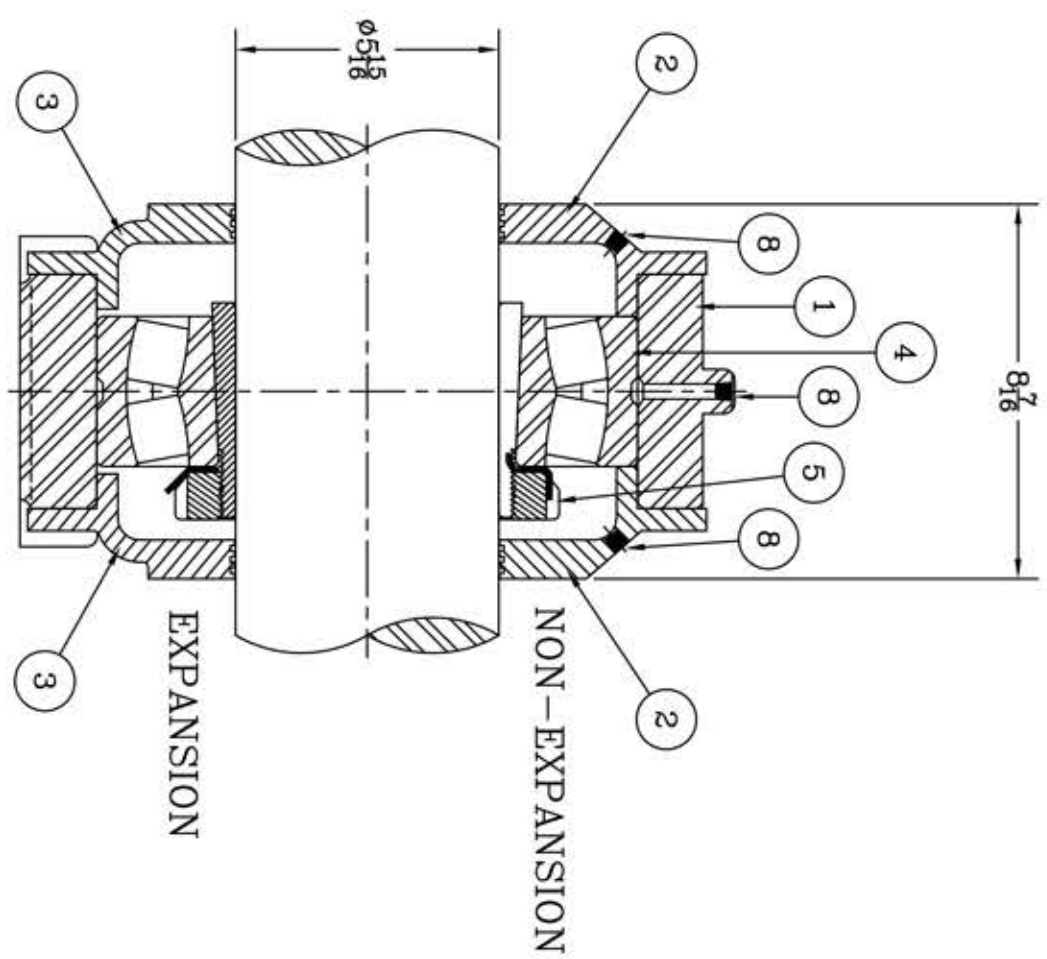


This drawing is the sole property of Miether Bearing Products and contains confidential and proprietary information. It is being provided to you for your use and may not be disclosed to any third party or used for any other purpose without Miether's prior written consent. The [materials] must be returned to the Company upon its demand. Your acceptance of these materials constitutes your acceptance of the foregoing terms.

C-14726



ITEM	DESCRIPTION	DETAIL	REQUIRED
			N EXP EXP.
1	HOUSING M3008	C-22156	1 1
2	ENDCAP F3132 NEL	C-22416	2 0
3	ENDCAP F3133 EL	C-22416	0 2
4	SPHERICAL ROLLER BEARING	22234K/W-33	1 1
5	ADAPTER SNW-34 05-15	24449	1 1
6	CAP BOLT HEX. HEAD	1/2-13 NC x 1 1/2 LONG	16 16
7	LOCKWASHER	1/2 SPLIT MED.	16 16
8	PIPE PLUG	1/2-27 NPT	3 3



REDRAWN FOR CONFORMITY
RWB per KAB
7-1-03

REVISIONS

SYMBOL	DESCRIPTION
C	16
D	32
E	63
F	125
G	250
J	500
K	1000

TOLERANCE: UNLESS OTHERWISE SPECIFIED

FRACTIONS $\pm 1/32$ " ANGLES $\pm 0^\circ 30'$
 DECIMALS $\pm .005$ WELD $\pm 1/16$ "
 CASTING $\pm 1/16$ "

MMW 22534 05-15
 ASSEMBLY DRAWING
 SCALE 1 = 3
 DRAWN CJ
 DATE 11-30-71
 CHK:



AN ALCO INDUSTRIES COMPANY
 ODESSA, TX, USA
 ASSEMBLY NO.
 DRAWING NO. C-14726