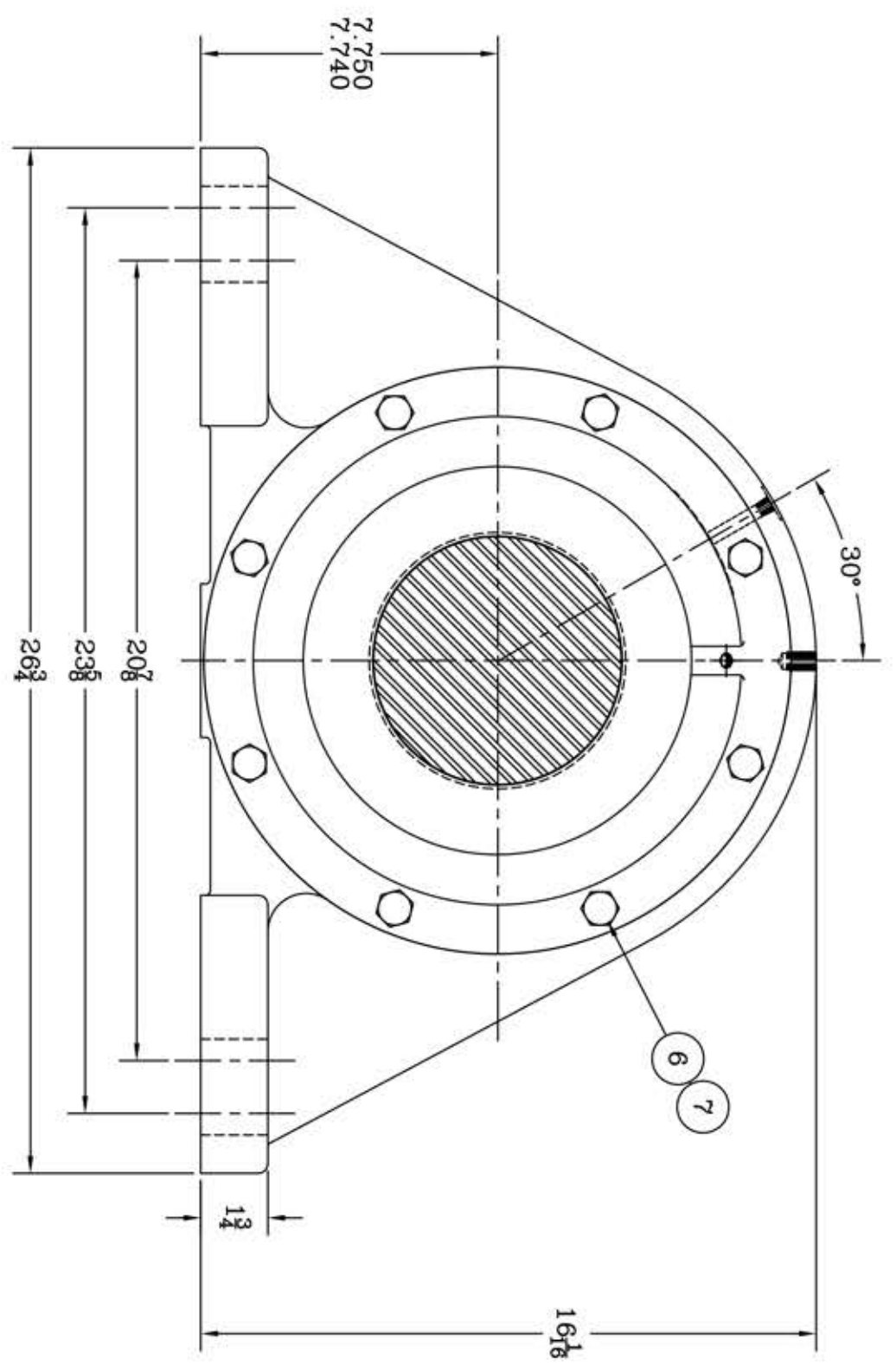
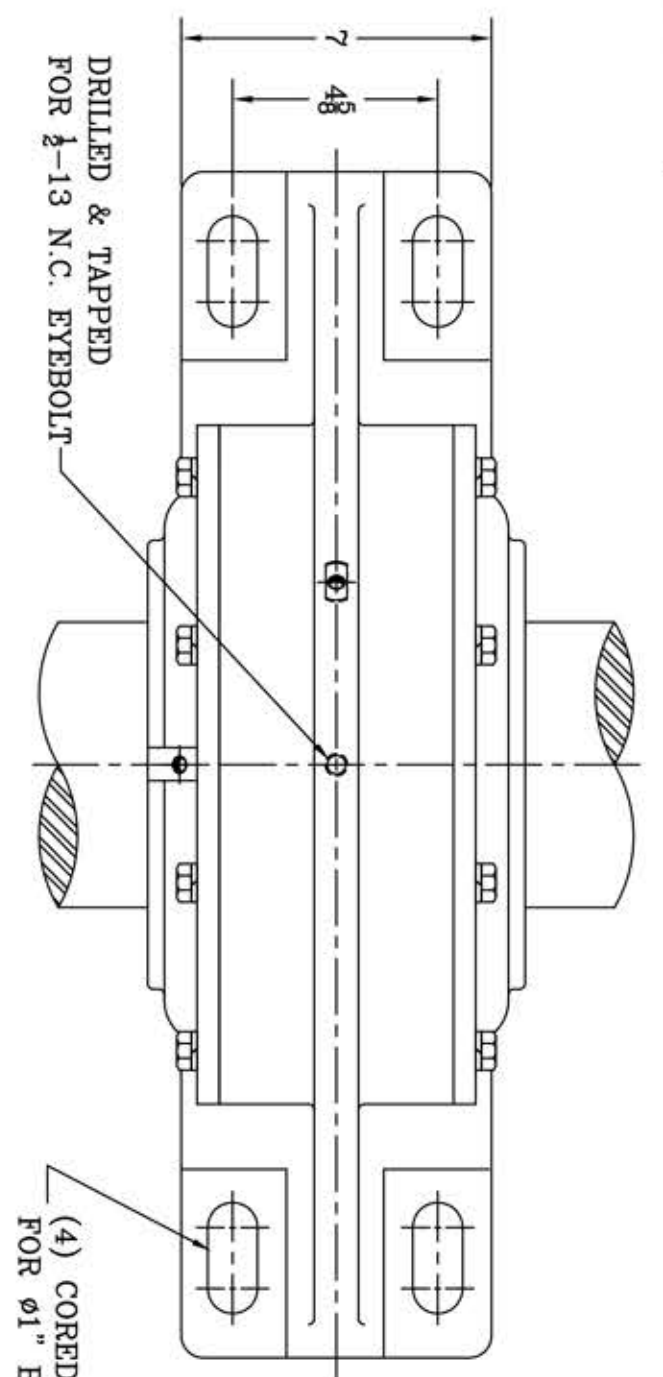
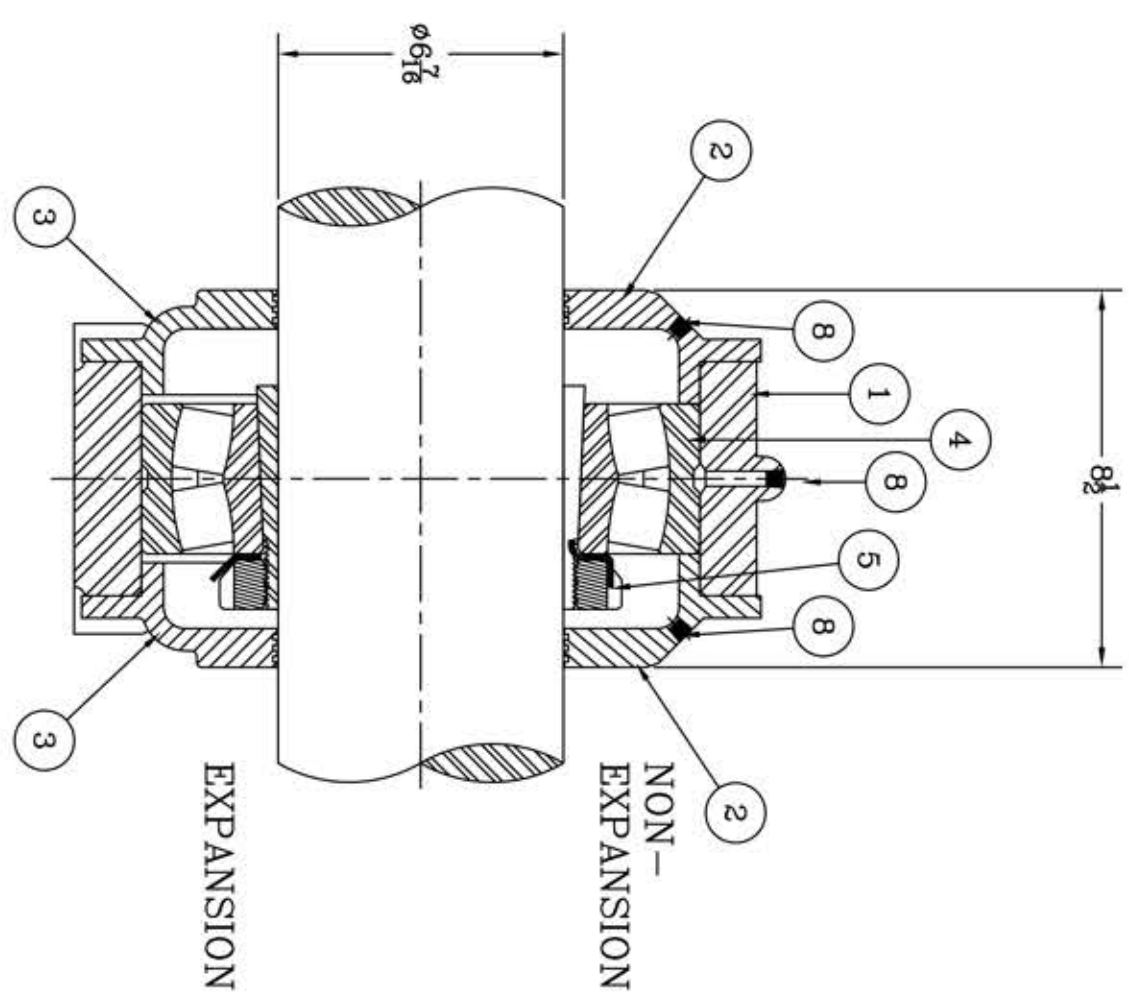


This drawing is the sole property of Miether Bearing Products and contains confidential and proprietary information. It is being provided to you for your use and may not be disclosed to any third party or used for any other purpose without Miether's prior written consent. The [materials] must be returned to the Company upon its demand. Your acceptance of these materials constitutes your acceptance of the foregoing terms.

C-14727



ITEM	DESCRIPTION	DETAIL	REQUIRED
			N EXP EXP.
1	HOUSING M3007	C-03007	1 1
2	ENDCAP F3146 NEL	C-22444	2 0
3	ENDCAP F3147 EL	C-22444	0 2
4	SPHERICAL ROLLER BEARING	22236K/W-33	1 1
5	ADAPTER SNW-36 06-07	24452	1 1
6	CAP BOLT HEX. HEAD	1/2-13 NC x 1 1/2 LONG	16 16
7	LOCKWASHER	1/2 SPLIT MED.	16 16
8	PIPE PLUG	1/2-27 NPT	3 3



REDRAWN FOR CONFORMITY RWB per KAB 7-8-03
 REDRAWN ON COMPUTER TO SCALE RWB 6-8-98

REVISIONS

SYMBOL	DESCRIPTION
C	1/32"
D	1/64"
E	1/16"
F	1/8"
G	1/4"
J	3/8"
K	1/2"

TOLERANCE: UNLESS OTHERWISE SPECIFIED
 FRACTIONS +- 1/32"
 DECIMALS +- .005"
 CASTING +- 1/16"
 WELD +- 1/16"
 ANGLES +- 0° 30'
 A.I.S.I. STANDARD FINISHES

MMW 22536 06-07
 ASSEMBLY DRAWING
 SCALE 1 = 3
 DRAWN CJ
 DATE 9-24-71
 CHK:
 AN ALCO INDUSTRIES COMPANY
 ODESSA, TX. USA
 ASSEMBLY NO.
 DRAWING NO.
 C-14727