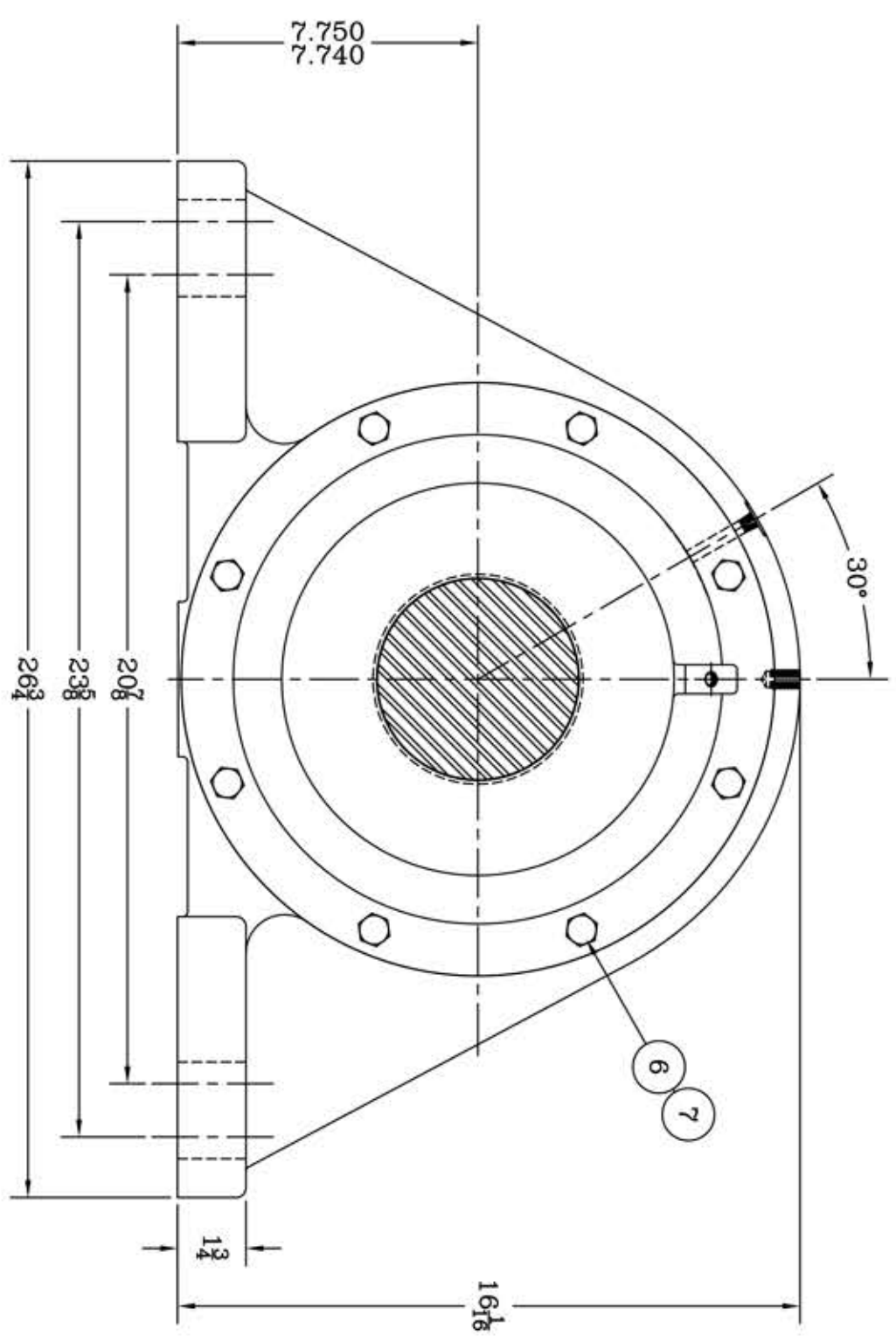
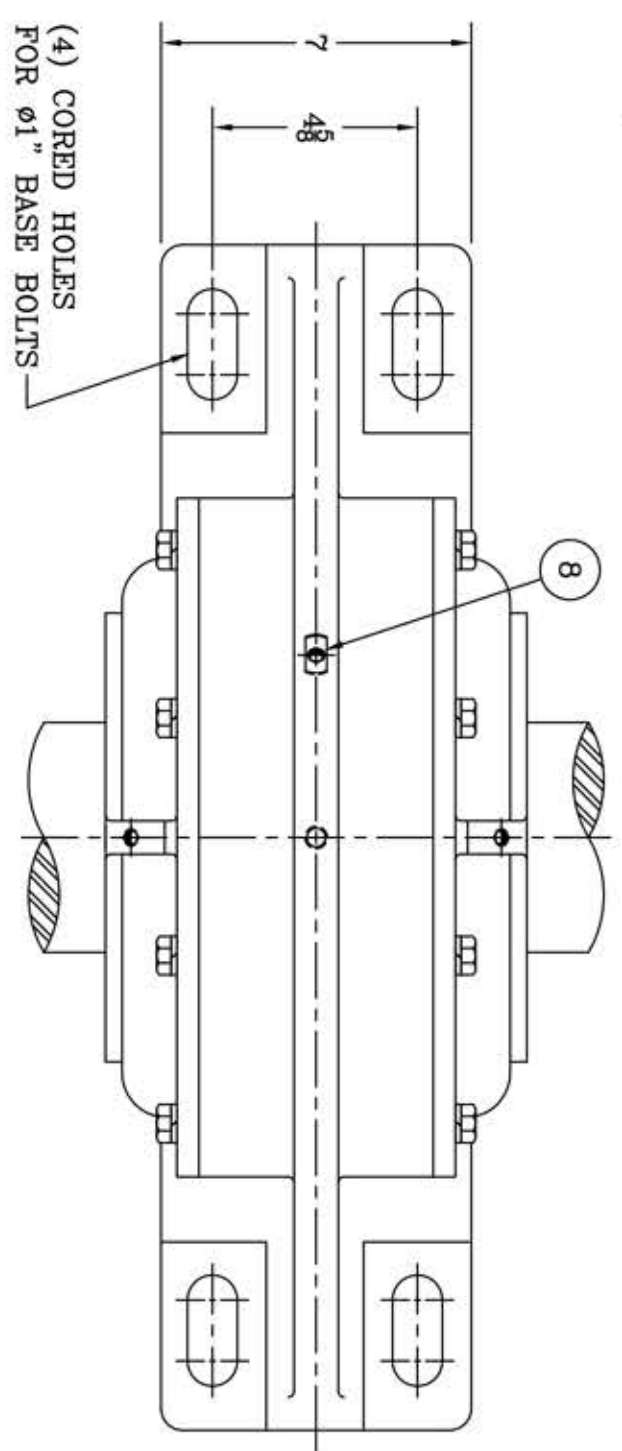
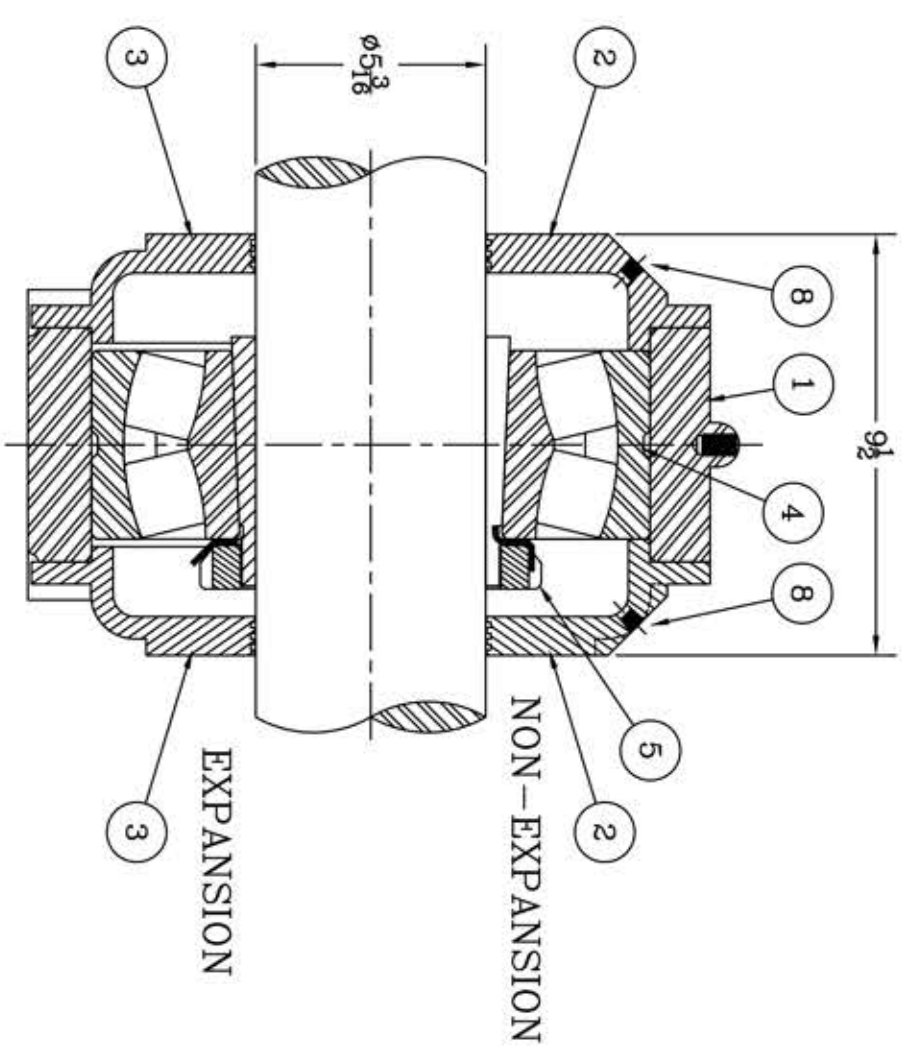


This drawing is the sole property of Miether Bearing Products and contains confidential and proprietary information. It is being provided to you for your use and may not be disclosed to any third party or used for any other purpose without Miether's prior written consent. The [materials] must be returned to the Company upon its demand. Your acceptance of these materials constitutes your acceptance of the foregoing terms.

C-14747



ITEM	DESCRIPTION	DETAIL	REQUIRED
			N EXP EXP.
1	HOUSING M3007	C-03007	1 1
2	ENDCAP F3496 NEL	C-22882	2 0
3	ENDCAP F3497 EL	C-22882	0 2
4	SPHERICAL ROLLER BEARING	22330K/W-33	1 1
5	ADAPTER SNW-130 05-03	24469	1 1
6	CAP BOLT HEX. HEAD	1/2-13 NC x 1 1/2 LONG	16 16
7	LOCKWASHER	1/2 SPLIT MED.	16 16
8	PIPE PLUG	1/2 NPT	3 3



REDRAWN ON
COMPUTER
RWB per KAB
10-3-03

REVISIONS

SYMBOL	DESCRIPTION
C	REVISION
D	REVISION
E	REVISION
F	REVISION
G	REVISION
J	REVISION
K	REVISION

TOLERANCE: UNLESS OTHERWISE SPECIFIED
FRACTIONS $\pm 1/32$ " ANGLES $\pm 0^\circ 30'$
DECIMALS $\pm .005$ WELD $\pm 1/16$ "
CASTING $\pm 1/16$ "

A.I.S.I. STANDARD FINISHES

AN ALCO INDUSTRIES COMPANY
BEARING PRODUCTS
ODessa, TX. USA

MMW 22630 05-03	ASSEMBLY DRAWING
SCALE 1 = 3	ASSEMBLY NO.
DRAWN CJ	DRAWING NO.
DATE 11/8/72	C-14747
CHK:	