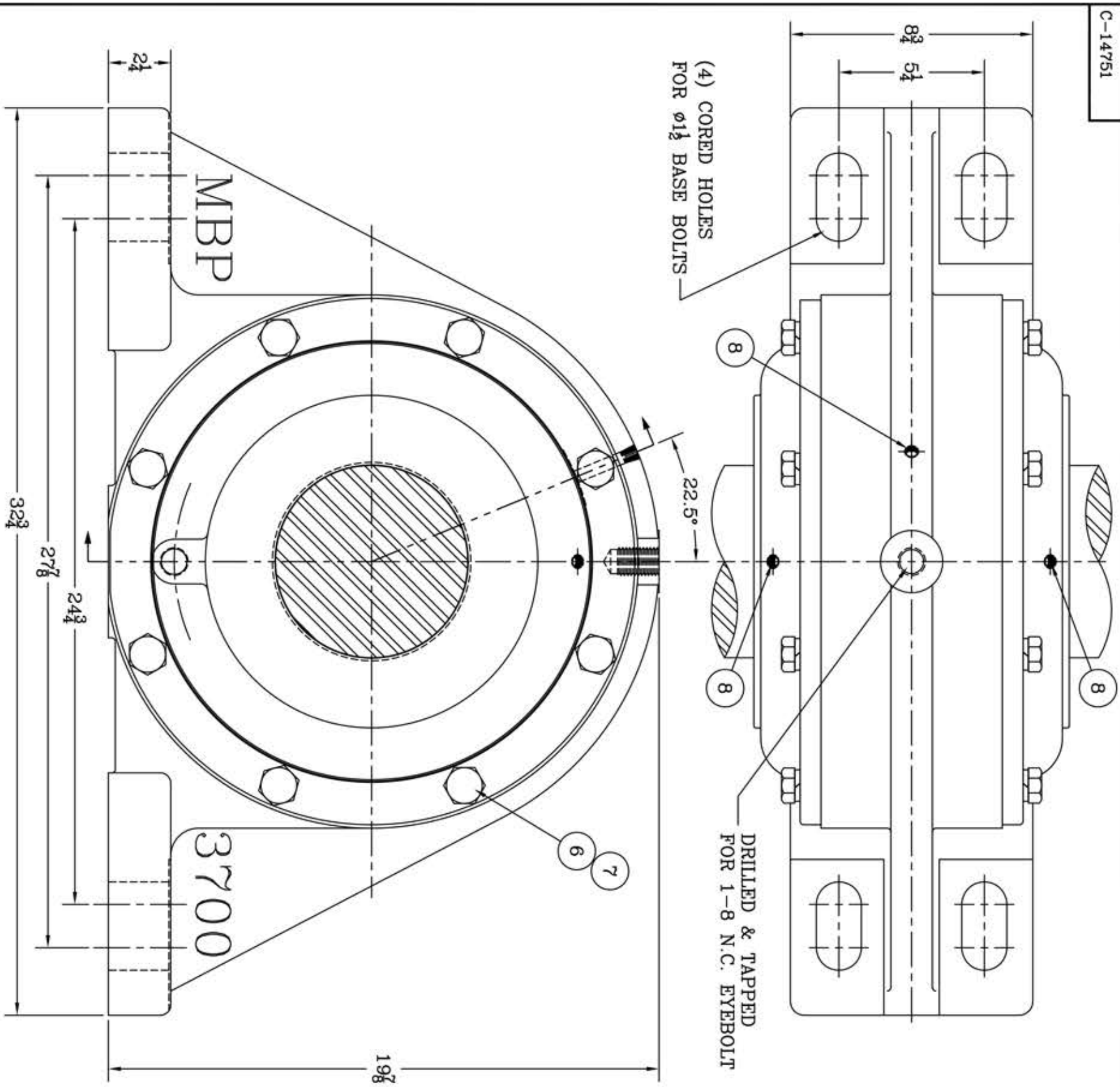
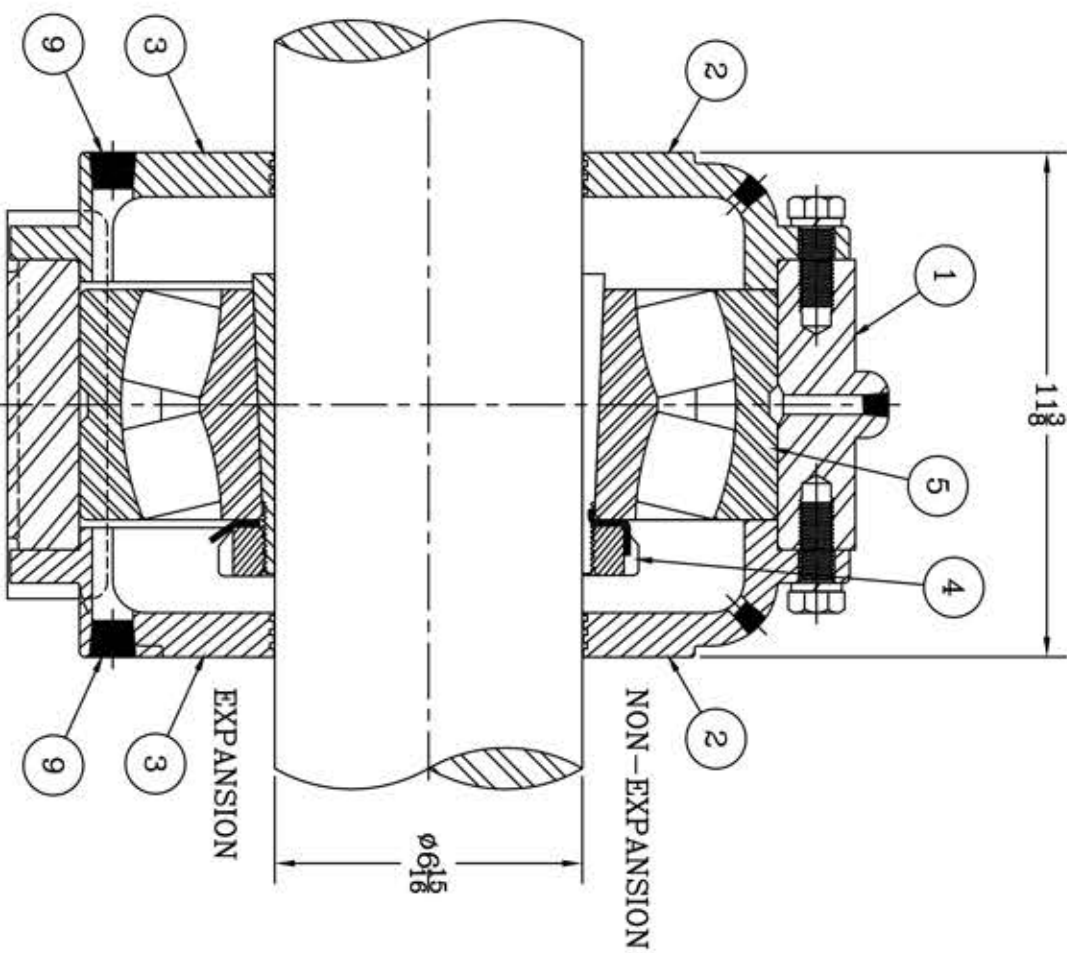


This drawing is the sole property of Miether Bearing Products and contains confidential and proprietary information. It is being provided to you for your use and may not be disclosed to any third party or used for any other purpose without Miether's prior written consent. The [materials] must be returned to the Company upon its demand. Your acceptance of these materials constitutes your acceptance of the foregoing terms.

C-14751



ITEM	DESCRIPTION	DETAIL	REQUIRED
			REQ. P.T.
1	HOUSING M-3700	C-23801	1 1
2	ENDCAP F-3650	C-23134	1 0
3	ENDCAP F-3651	C-23155	0 1
4	ADAPTER SLEEVE SNW-138 06-15	24476	1 1
5	SPHERICAL ROLLER BEARING 22338K/W33		1 1
6	HEX. HEAD CAP SCREW 3-10 NC x 2 LONG		16 16
7	LOCKWASHER 3 SPLIT MED.		16 16
8	PIPE PLUG 1-18 NPT		3 3
9	PIPE PLUG 3-14 NPT		2 2



REDRAWN FOR CONFORMITY RWB per KAB 4-23-04
REDRAWN ON COMPUTER by OMI 9-27-02

REVISIONS

SYMBOL	DESCRIPTION
✓	16
✓	32
✓	63
✓	125
✓	250
✓	500
✓	1000

AN ALCO INDUSTRIES COMPANY
BEARING PRODUCTS
ODESSA, TX. USA

MMW 22638 06-15	ASSEMBLY DRAWING
SCALE 1 = 3	ASSEMBLY NO.
DRAWN AW	DRAWING NO.
DATE 7/23/73	C-14751
CHK:	

TOLERANCE: UNLESS OTHERWISE SPECIFIED
FRACTIONS +- 1/32" ANGLES +- 0° 30'
DECIMALS +- .005" WELD +- 1/16"
CASTING +- 1/16"