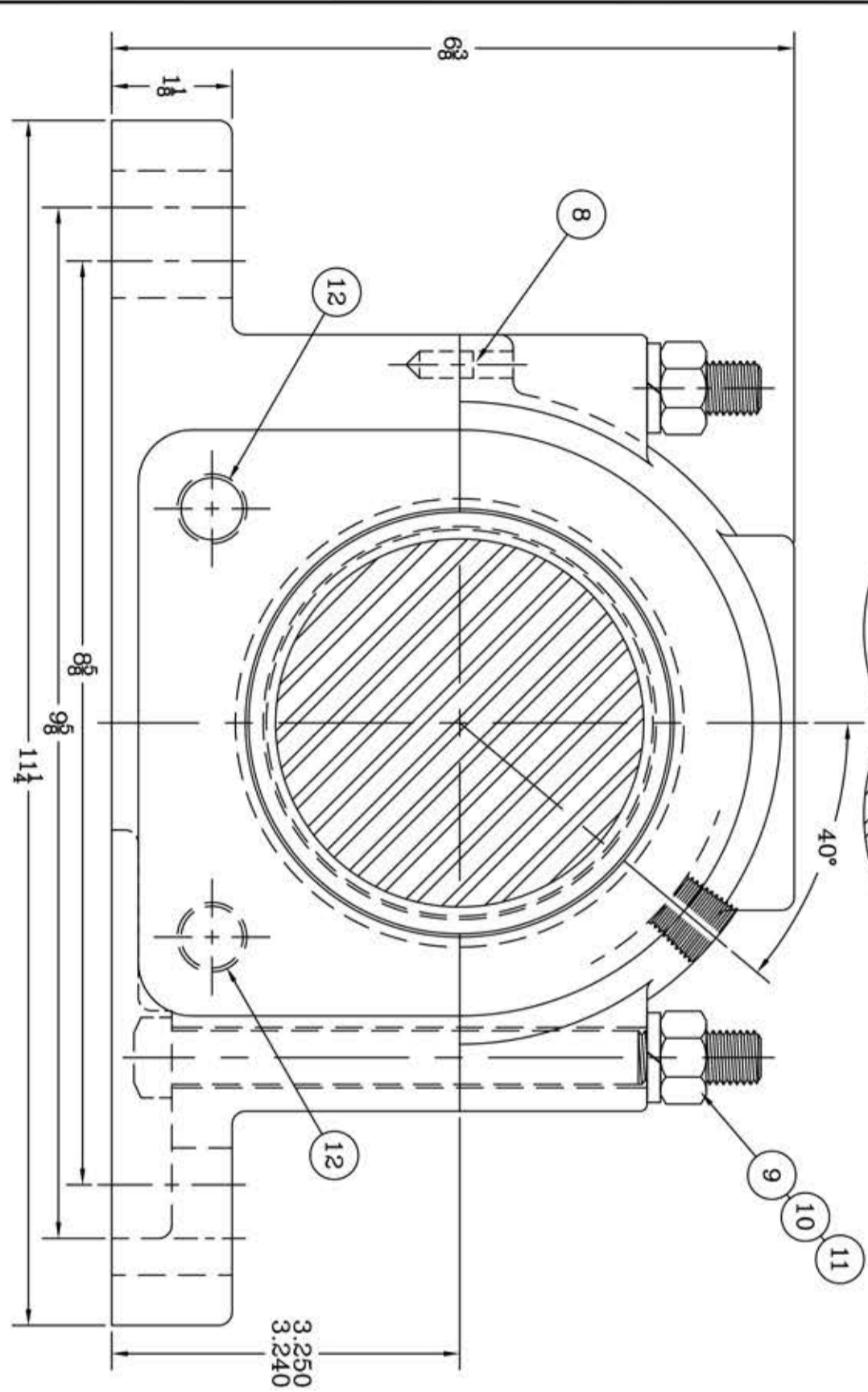
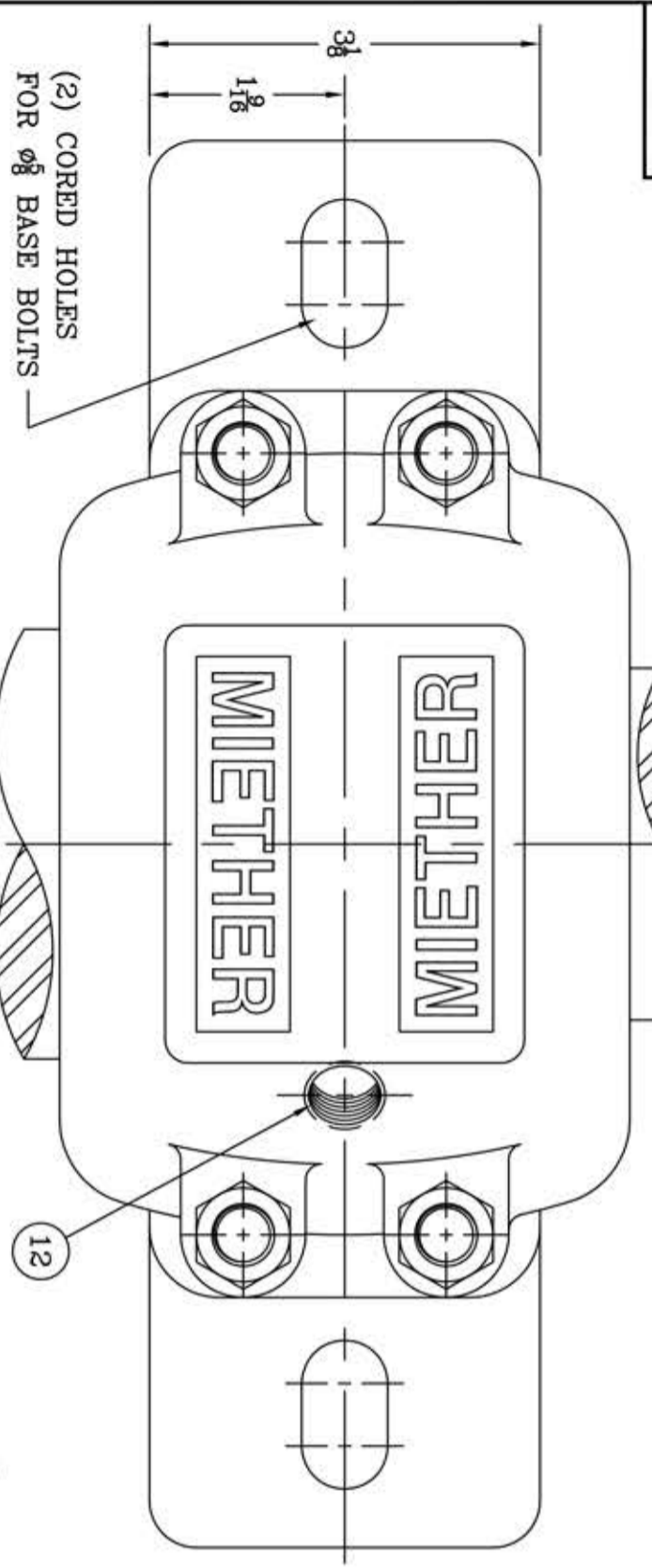
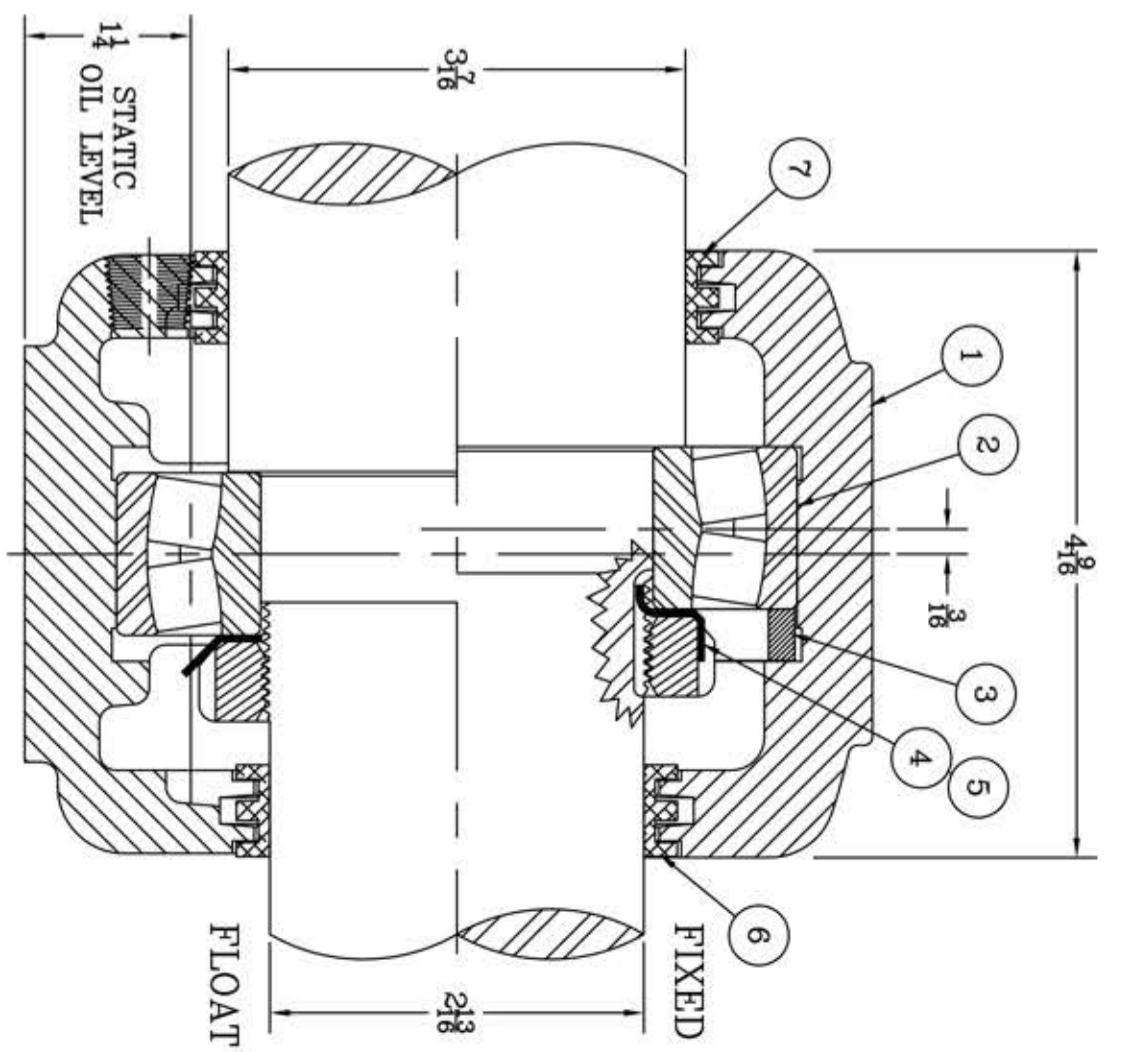


This drawing is the sole property of Miether Bearing Products and contains confidential and proprietary information. It is being provided to you for your use and may not be disclosed to any third party or used for any other purpose without Miether's prior written consent. The [materials] must be returned to the Company upon its demand. Your acceptance of these materials constitutes your acceptance of the foregoing terms.

C-14114



ITEM	DESCRIPTION	DETAIL	REQUIRED
1	HOUSING SAF 215	C-13166-R	1 1
2	SPHERICAL ROLLER BEARING	22215/W33	1 1
3	STABILIZING RING SR-15-12	A-10598	1 0
4	LOCKNUT AN-15	B-11937	1 1
5	LOCKWASHER W-15	00240	1 1
6	TRIPLE SEAL RING LER-46	A-11060	1 1
7	TRIPLE SEAL RING LER-79	A-11074	1 1
8	DOWEL	Ø 1/4 x 3/8 LONG	2 2
9	CAP BOLT SQUARE HEAD	1/2-13 NC x 5 1/2 LONG	4 4
10	CAP BOLT HEX. NUT	1/2-13 NC	4 4
11	LOCKWASHER	1/2 SPLIT MED.	4 4
12	PIPE PLUG	3/8-18 NPT	3 3



REDRAWN FOR CONFORMITY  
RWB per KAB  
12-29-03

REDRAWN ON COMPUTER  
OMI 6-29-01

REVISIONS

SYMBOL	DESCRIPTION
✓	16
∇	32
∇	63
∇	125
∇	250
∇	500
∇	1000

TOLERANCE: UNLESS OTHERWISE SPECIFIED

FRACTIONS ± 1/32" ANGLES ± 0° 30'

DECIMALS ± .005" WELD ± 1/16"

CASTING ± 1/16"

A.I.S.I. STANDARD FINISHES

AN ALCO INDUSTRIES COMPANY  
BEARING PRODUCTS  
ODESSA, TX. USA

SAF 22215	03-07 x 02-13
ASSEMBLY DRAWING	
SCALE FULL	ASSEMBLY NO.
DRAWN BAB	
DATE 1/18/88	DRAWING NO.
CHK:	C-14114