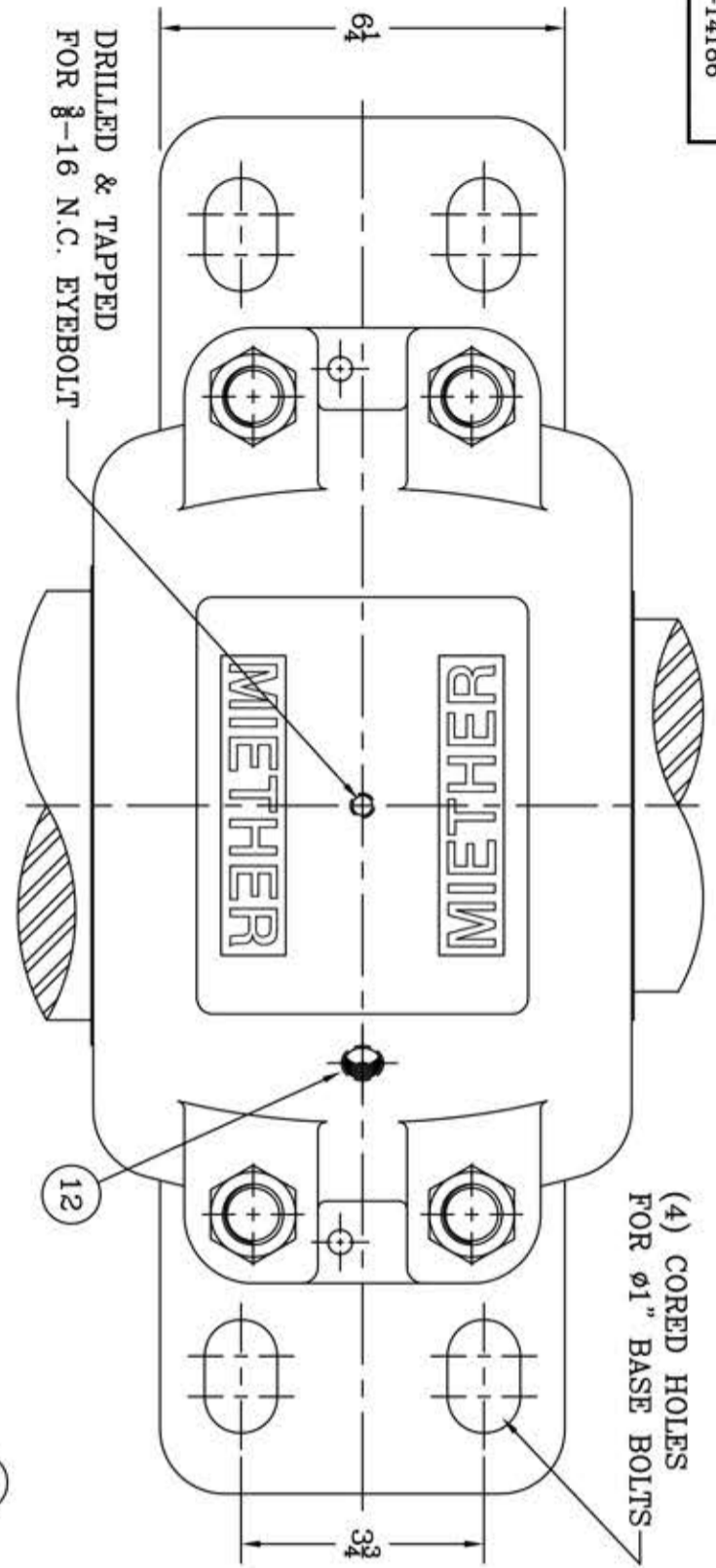


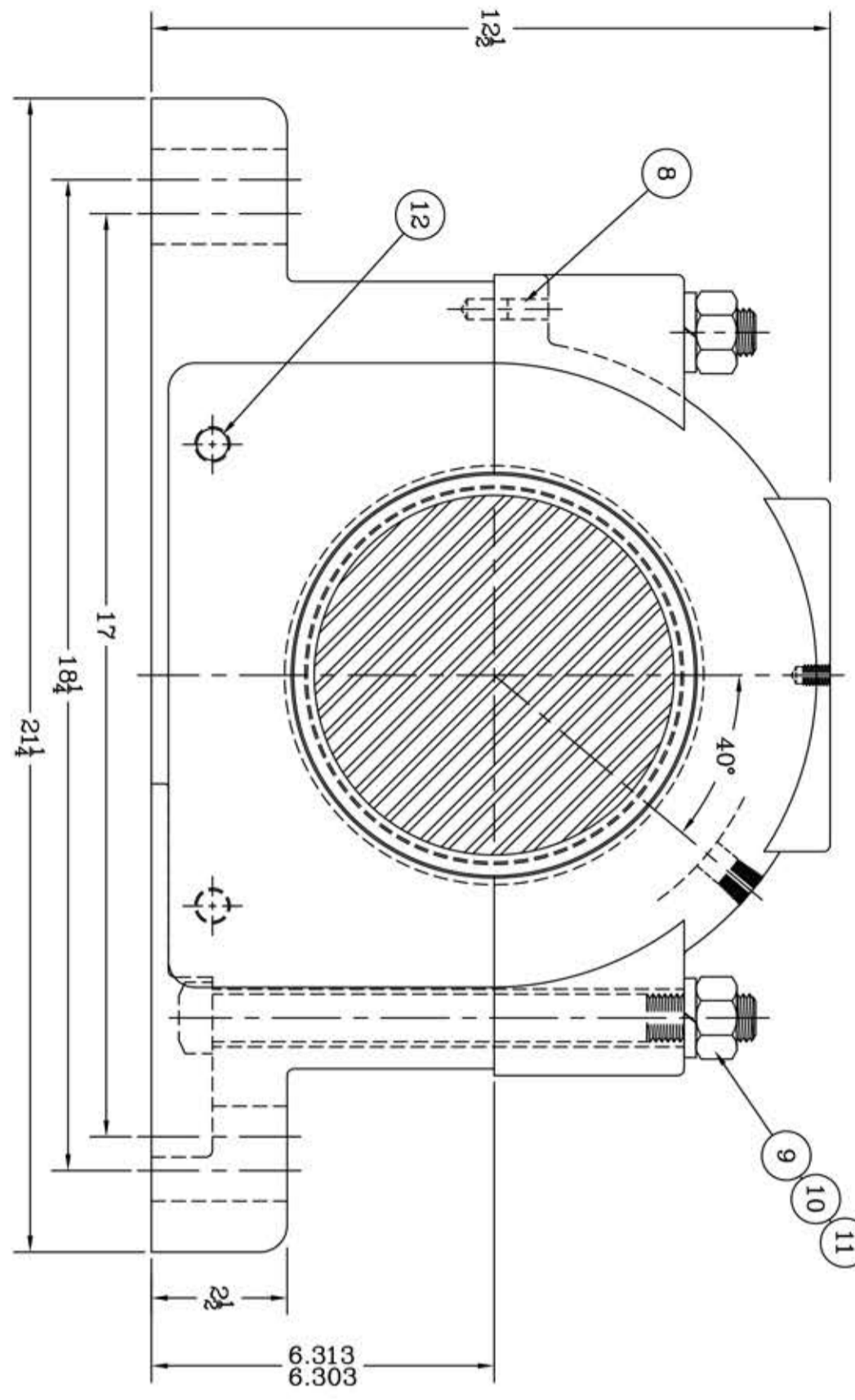
This drawing is the sole property of Miether Bearing Products and contains confidential and proprietary information. It is being provided to you for your use and may not be disclosed to any third party or used for any other purpose without Miether's prior written consent. The [materials] must be returned to the Company upon its demand. Your acceptance of these materials constitutes your acceptance of the foregoing terms.

C-14186

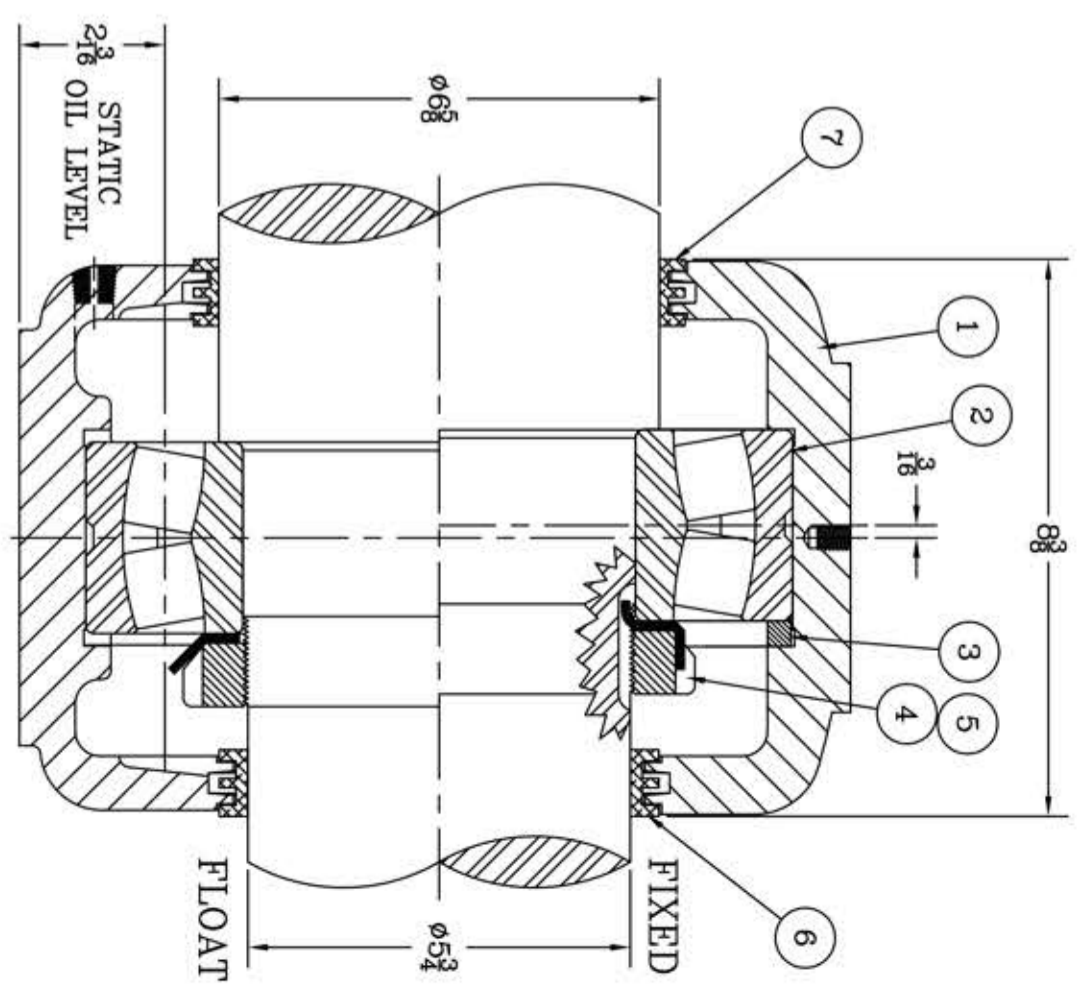


(4) CORED HOLES FOR ϕ 1" BASE BOLTS

DRILLED & TAPPED FOR 3/8-16 N.C. EYEBOLT



TOLERANCE: UNLESS OTHERWISE SPECIFIED



ITEM	DESCRIPTION	DETAIL	REQUIRED
1	HOUSING SAF-230	C-13140-R	1 1
2	SPHERICAL ROLLER BEARING 22230/W-33	22230/W-33	1 1
3	STABILIZING RING SR-30-0	A-10607	1 0
4	LOCKNUT AN-30	B-10419	1 1
5	LOCKWASHER W-30	00249	1 1
6	TRIPLE SEAL RING LER-134	A-10621	1 1
7	TRIPLE SEAL RING LER-151	A-10620	1 1
8	DOWEL ϕ 3/8 x 3/4 LONG		2 2
9	CAP BOLT SQUARE HEAD 7-9 NC x 10" LONG		4 4
10	CAP BOLT HEX. NUT 7-9 NC		4 4
11	LOCKWASHER 7/8 SPLIT MED.		4 4
12	PIPE PLUG 3/8-18 NPT		3 3

REDRAWN FOR CONFORMITY
RWB per KAB
2-13-04

REDRAWN ON COMPUTER TO SCALE by FM
4-22-97

REVISIONS

SYMBOL	DESCRIPTION
C	16
D	32
E	63
F	125
G	250
J	500
K	1000

AN ALCO INDUSTRIES COMPANY
BEARING PRODUCTS
ODESSA, TX. USA

SAF 22230 06-10 x 05-12	ASSEMBLY DRAWING
SCALE HALF	ASSEMBLY NO.
DRAWN BAB	DRAWING NO.
DATE 1/15/88	CHK: C-14186