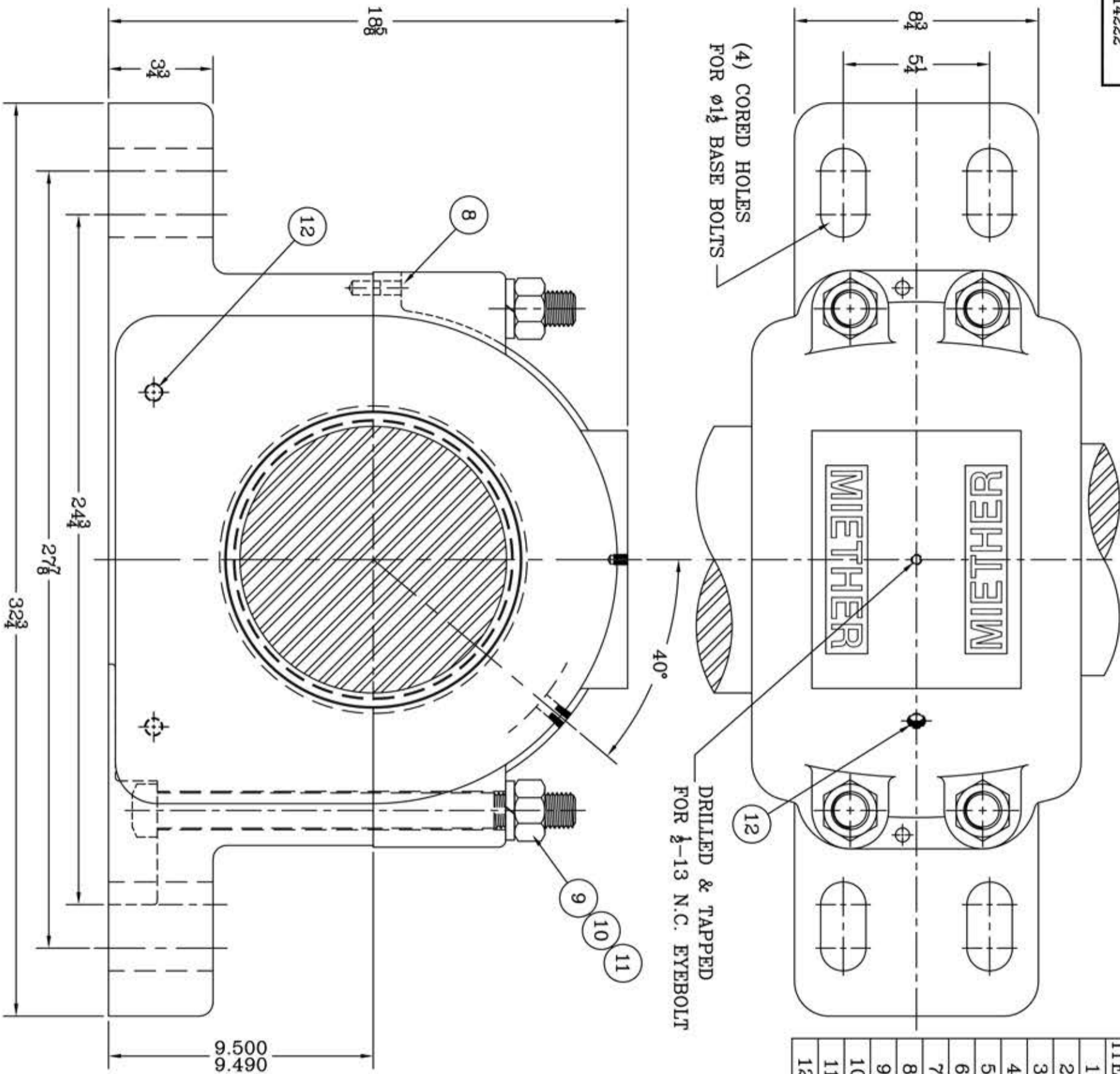
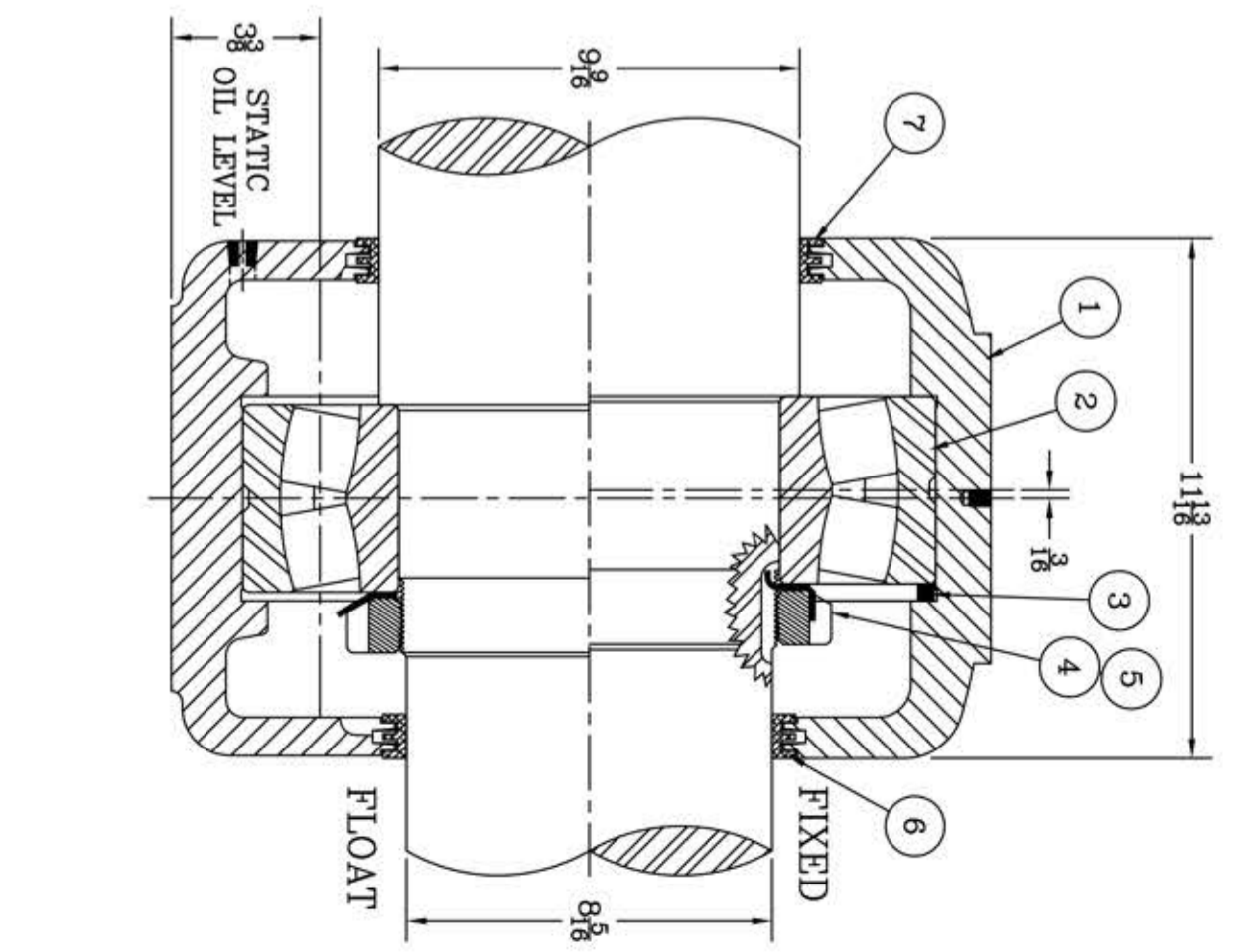


This drawing is the sole property of Miether Bearing Products and contains confidential and proprietary information. It is being provided to you for your use and may not be disclosed to any third party or used for any other purpose without Miether's prior written consent. The [materials] must be returned to the Company upon its demand. Your acceptance of these materials constitutes your acceptance of the foregoing terms.

C-14222



ITEM	DESCRIPTION	DETAIL	REQUIRED
1	HOUSING SAF 244	C-13146-R	1 1
2	SPHERICAL ROLLER BEARING	22244	1 1
3	STABILIZING RING SR-44-38	A-10612	1 0
4	LOCKNUT N-44	B-10425	1 1
5	LOCKWASHER W-44	00255	1 1
6	TRIPLE SEAL RING LER-170	A-10676	1 1
7	TRIPLE SEAL RING LER-179	A-10678	1 1
8	DOWEL	Ø 1/2 x 1" LONG	2 2
9	CAP BOLT SQUARE HEAD	1 1/4-7 NC x 15" LONG	4 4
10	CAP BOLT HEX NUT	1 1/4-7 NC	4 4
11	LOCKWASHER	1 1/4 SPLIT MED.	4 4
12	PIPE PLUG	3/8-18 NPT	3 3



REDRAWN FOR CONFORMITY  
RWB per KAB  
4-26-05

REDRAWN TO SCALE by  
RWB 7-9-99

REVISIONS

SYMBOL	DESCRIPTION
C	REVISION 1
D	REVISION 2
E	REVISION 3
F	REVISION 4
G	REVISION 5
J	REVISION 6
K	REVISION 7

TOLERANCE: UNLESS OTHERWISE SPECIFIED

FRACTIONS  $\pm 1/32$ " ANGLES  $\pm 0^\circ 30'$

DECIMALS  $\pm .005$  WELD  $\pm 1/16$ "

CASTING  $\pm 1/16$ "

A.I.S.I. STANDARD FINISHES

SYMBOL VALUE

16 32 63 125 250 500 1000

SAF 22244 09-09 x 08-05

ASSEMBLY DRAWING

SCALE 1 = 3

DRAWN BAB

DATE 1/25/88

CHK:

AN ALCO INDUSTRIES COMPANY

BEARING PRODUCTS

ODDESSA, TX. USA

ASSEMBLY NO.

DRAWING NO. C-14222