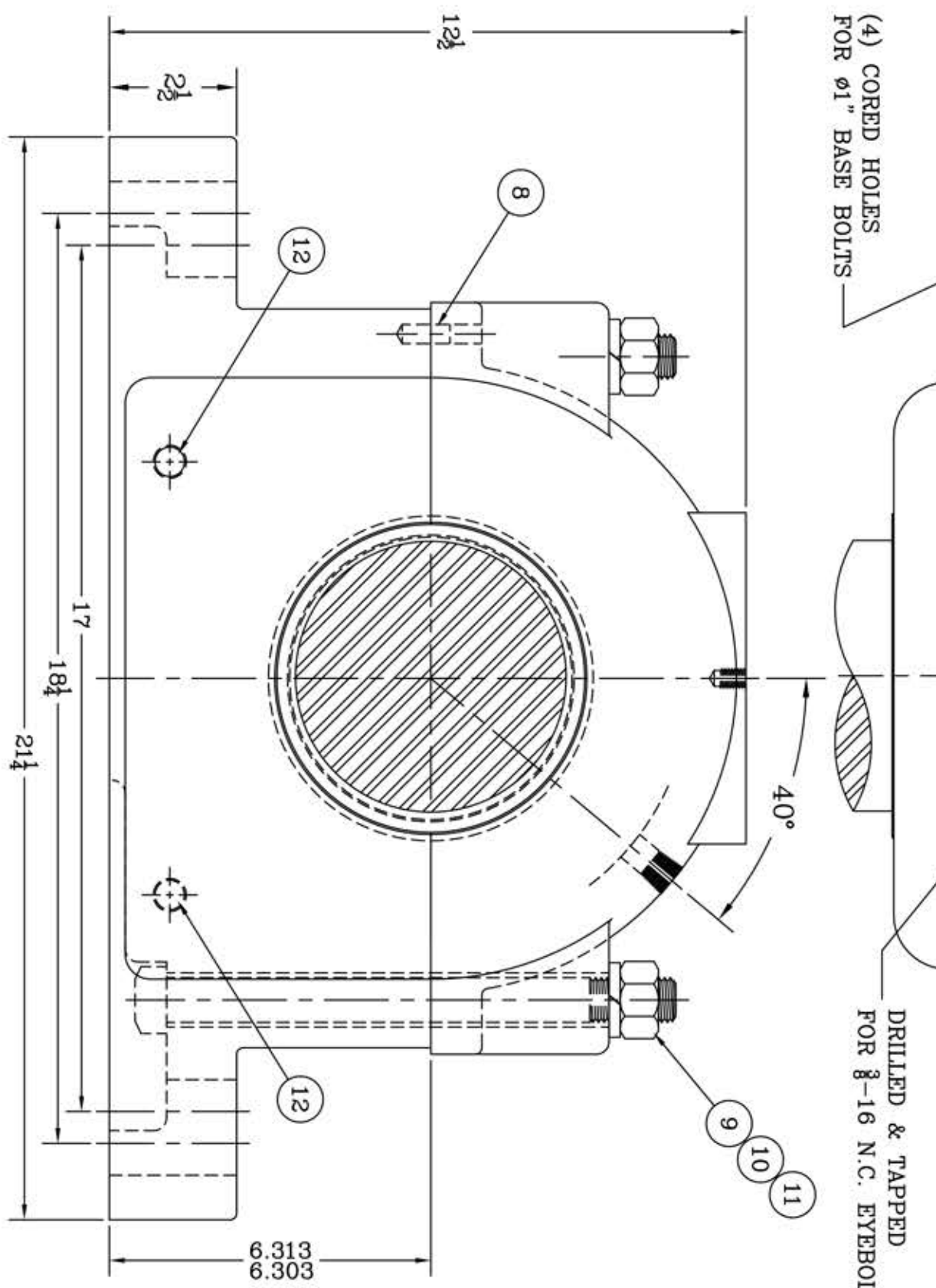
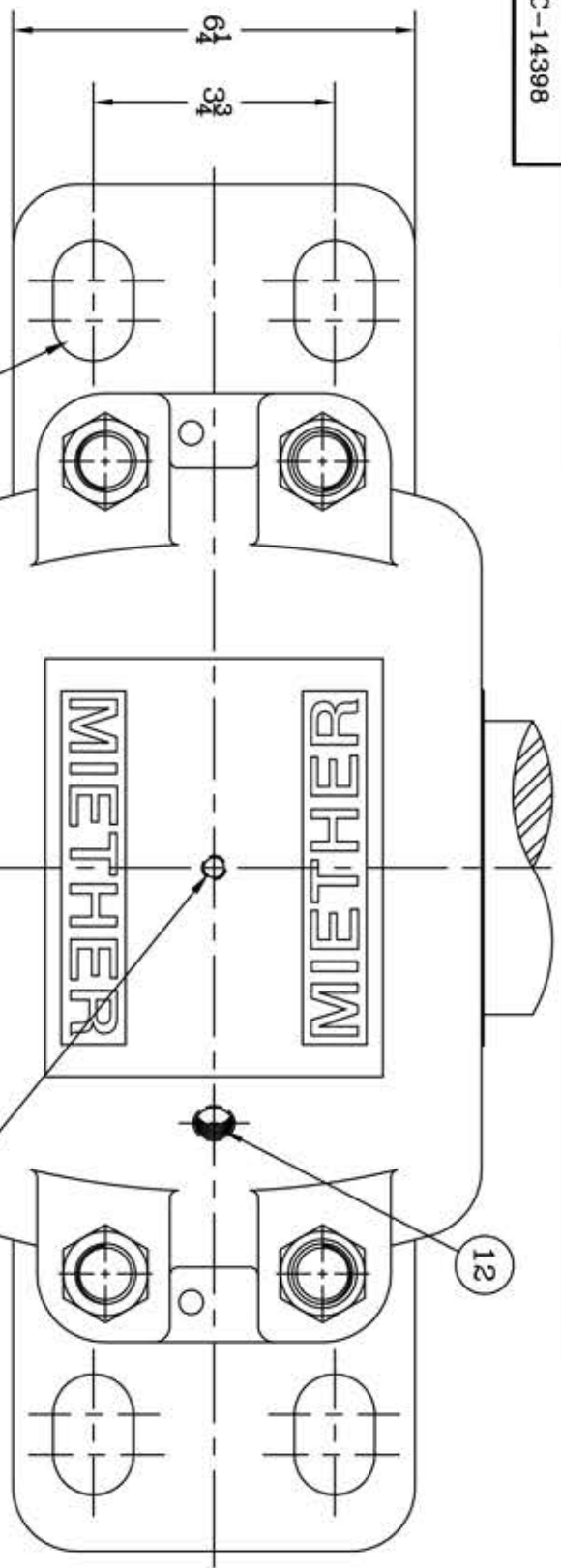
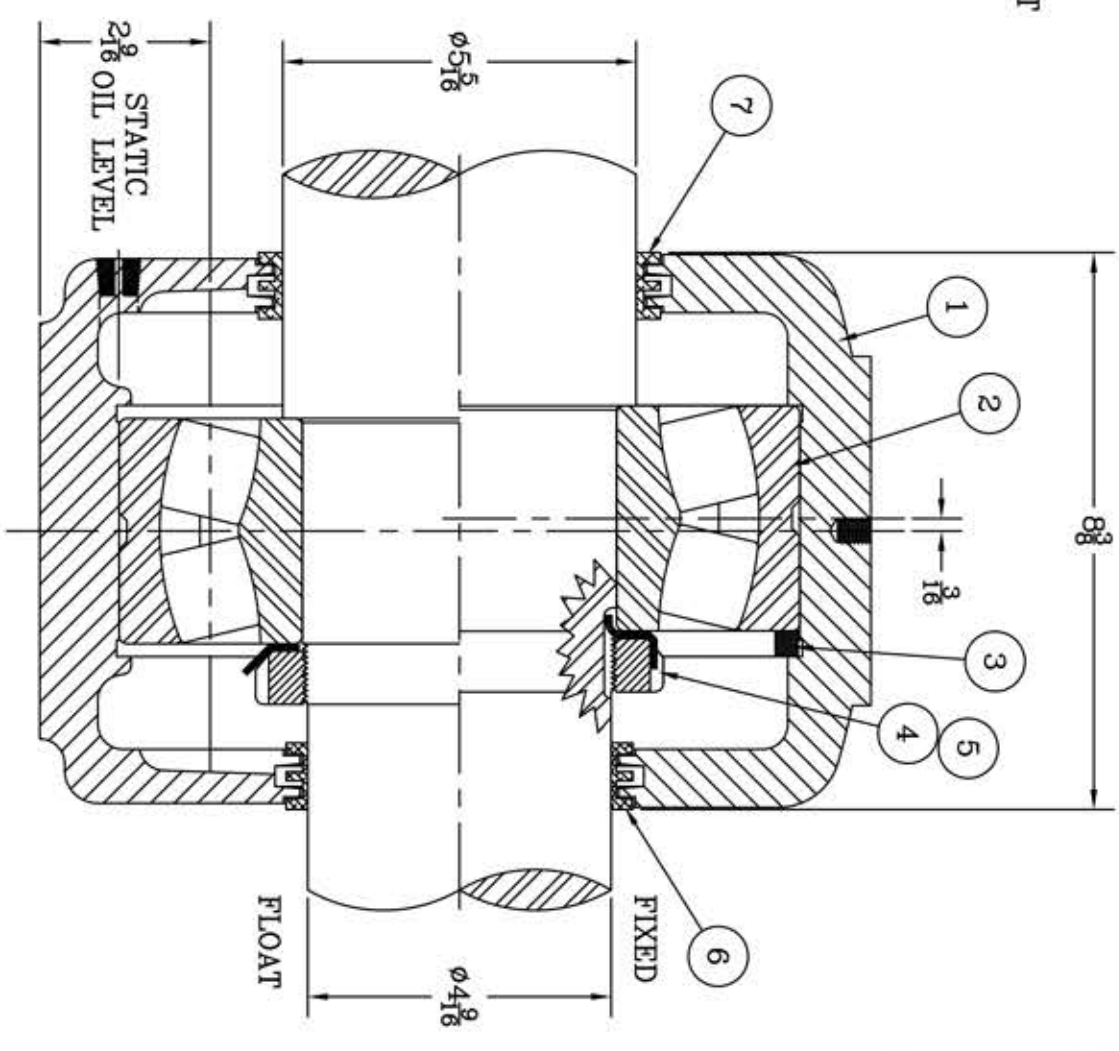


This drawing is the sole property of Miether Bearing Products and contains confidential and proprietary information. It is being provided to you for your use and may not be disclosed to any third party or used for any other purpose without Miether's prior written consent. The [materials] must be returned to the Company upon its demand. Your acceptance of these materials constitutes your acceptance of the foregoing terms.

C-14398



ITEM	DESCRIPTION	DETAIL	REQUIRED
1	HOUSING SAF 324	C-13171-R	1 1
2	SPHERICAL ROLLER BEARING	22324/W-33	1 1
3	STABILIZING RING SR-0-24	A-15124	1 0
4	LOCKNUT AN-24	B-10416	1 1
5	LOCKWASHER W-24	00246	1 1
6	TRIPLE SEAL RING LER-119	A-10625	1 1
7	TRIPLE SEAL RING LER-127	A-10627	1 1
8	DOWEL	Ø8 x 3/4 LONG	2 2
9	CAP BOLT SQUARE HEAD	7-9 NC x 10" LONG	4 4
10	CAP BOLT HEX. NUT	7-9 NC	4 4
11	LOCKWASHER	7 SPLIT MED.	4 4
12	PIPE PLUG	3/18 NPT	3 3



REDRAWN FOR CONFORMITY RWB per KAB 5-6-04

REDRAWN ON COMPUTER by 3/21/01

REVISIONS

SYMBOL	DESCRIPTION
✓	16
∇	32
∇	63
∇	125
∇	250
∇	500
∇	1000

TOLERANCE: UNLESS OTHERWISE SPECIFIED

FRACTIONS ± 1/32" ANGLES ± 0° 30'

DECIMALS ± .005" WELD ± 1/16"

CASTING ± 1/16"

A.I.S.I. STANDARD FINISHES

SAF 22324 05-05 x 04-09

ASSEMBLY DRAWING

SCALE HALF

DRAWN M.M.

DATE 3/9/71

CHK:

AN ALCO INDUSTRIES COMPANY

BEARING PRODUCTS

ODESSA, TX. USA

ASSEMBLY NO.

DRAWING NO. C-14398