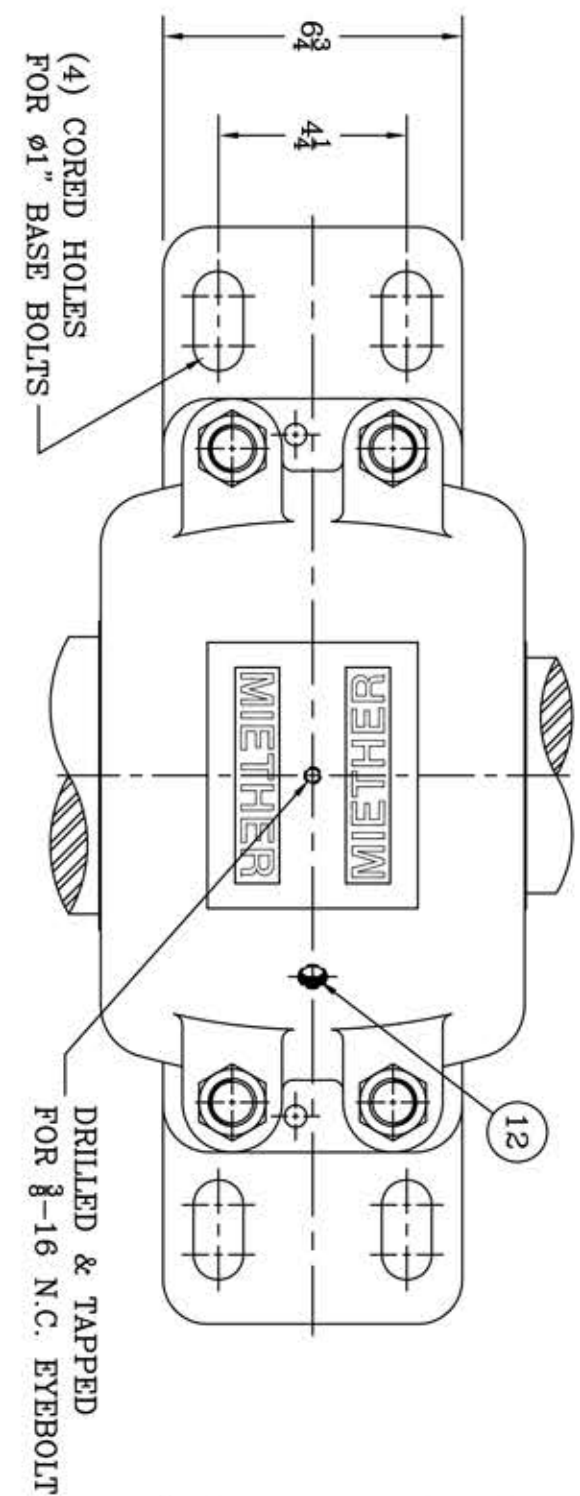
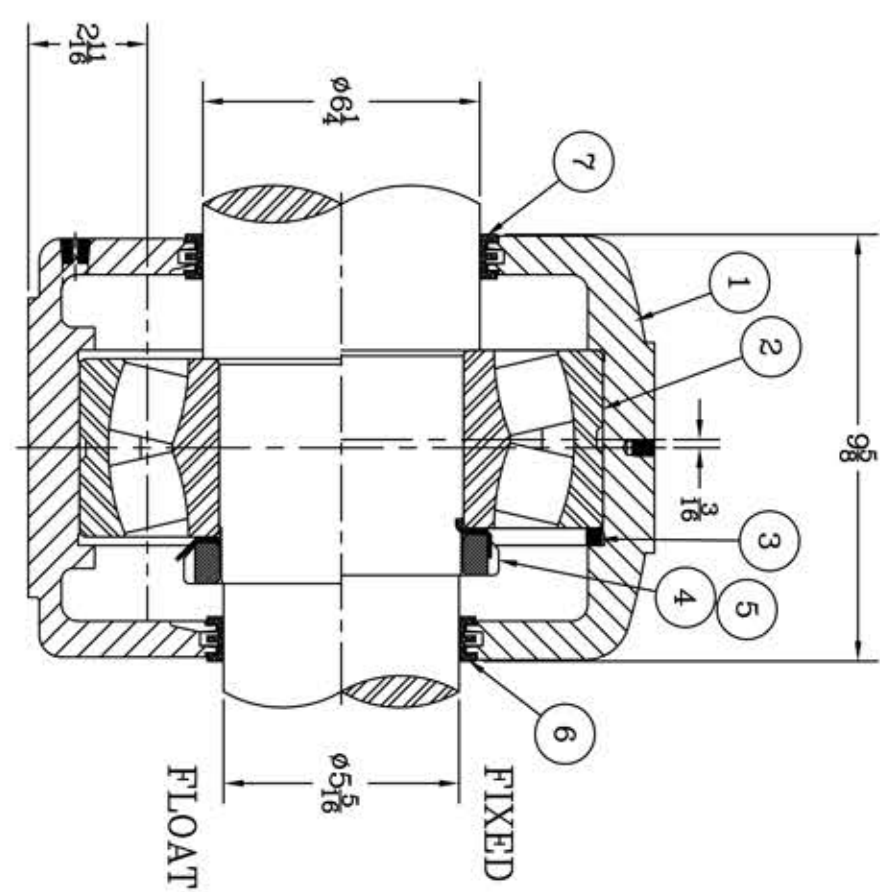
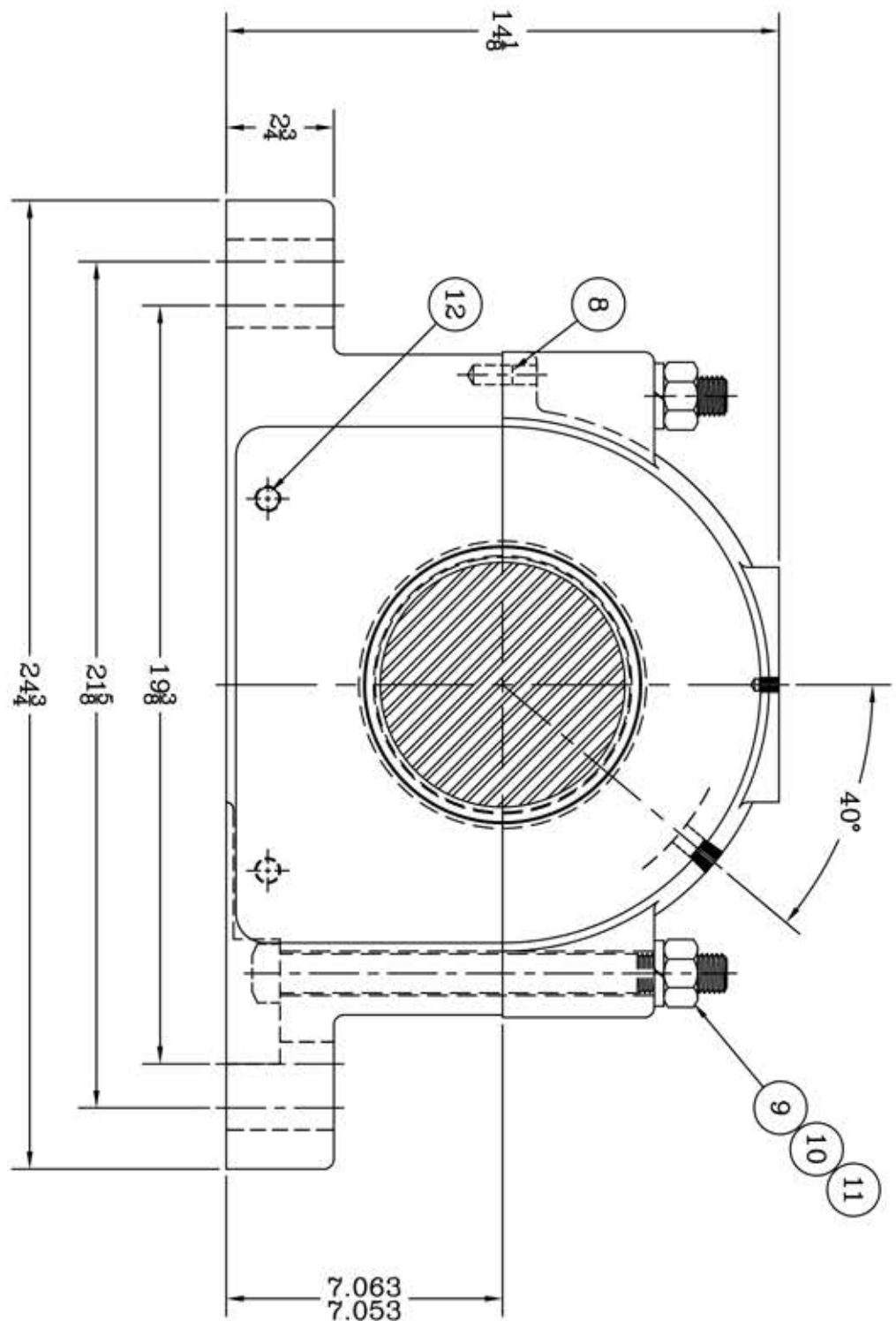


This drawing is the sole property of Miether Bearing Products and contains confidential and proprietary information. It is being provided to you for your use and may not be disclosed to any third party or used for any other purpose without Miether's prior written consent. The [materials] must be returned to the Company upon its demand. Your acceptance of these materials constitutes your acceptance of the foregoing terms.

C-14410



ITEM	DESCRIPTION	DETAIL	REQUIRED
1	HOUSING SAF 328	C-13173-R	1 1
2	SPHERICAL ROLLER BEARING	22328/W-33	1 1
3	STABILIZING RING SR-0-28	A-10669	1 0
4	LOCKNUT AN-28	B-10418	1 1
5	LOCKWASHER W-28	00248	1 1
6	TRIPLE SEAL RING LER-127	A-10626	1 1
7	TRIPLE SEAL RING LER-144	A-10627	1 1
8	DOWEL	$\phi \frac{1}{2}$ x 1" LONG	2 2
9	CAP BOLT SQUARE HEAD	1-8 NC x 11" LONG	4 4
10	CAP BOLT HEX NUT	1-8 NC	4 4
11	LOCKWASHER	1" SPLIT MED.	4 4
12	PIPE PLUG	$\frac{3}{8}$ -18 NPT	3 3



REDRAWN FOR CONFORMITY  
RWB per KAB  
5-10-04

REDRAWN ON COMPUTER by  
OMI 5-1-01

REVISIONS

SYMBOL	DESCRIPTION	MICRO-INCH VALUE
C		16
D		32
E		63
F		125
G		250
J		500
K		1000

TOLERANCE: UNLESS OTHERWISE SPECIFIED

FRACTIONS  $\pm 1/32$ "

DECIMALS  $\pm .005$ "

CASTING  $\pm 1/16$ "

WELD  $\pm 1/16$ "

ANGLES  $\pm 30^\circ$

A.I.S.I. STANDARD FINISHES

AN ALCO INDUSTRIES COMPANY  
BEARING PRODUCTS  
ODESSA, TX USA

SAF 22328 06-04 x 05-05

ASSEMBLY DRAWING

SCALE 1 = 3

DRAWN AW

DATE 4/2/74

CHK:

ASSEMBLY NO.

DRAWING NO. C-14410