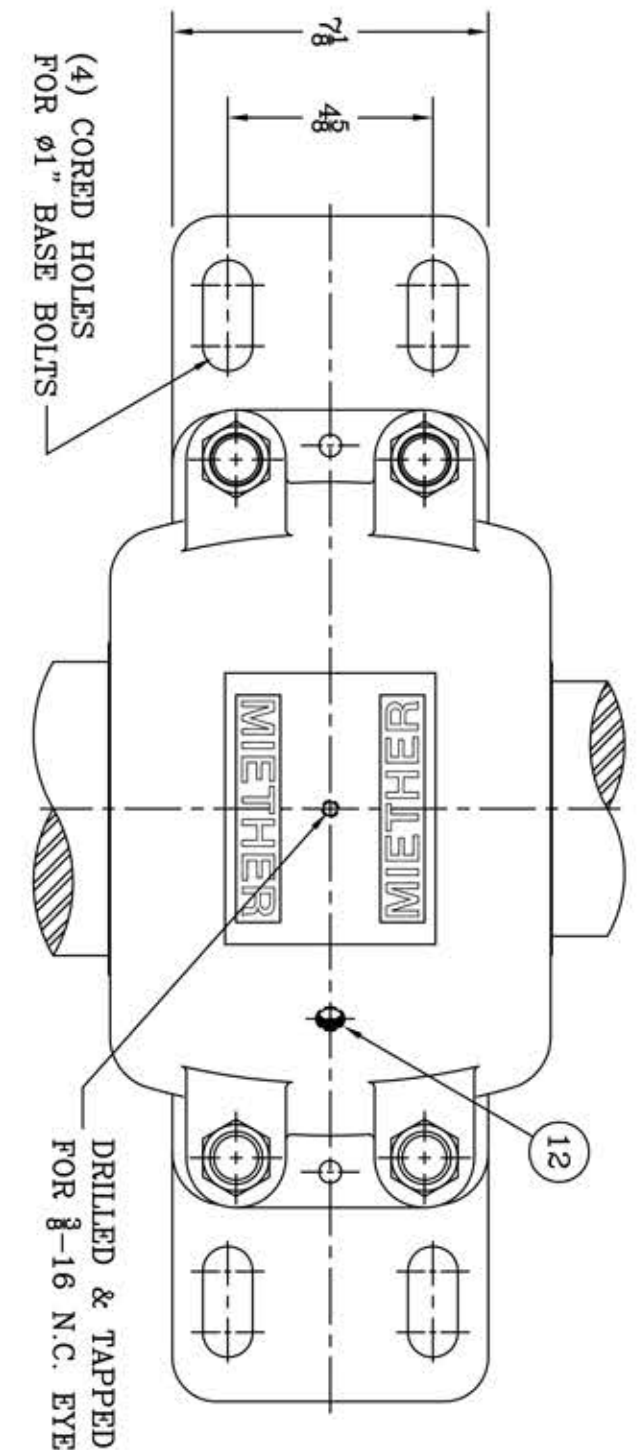
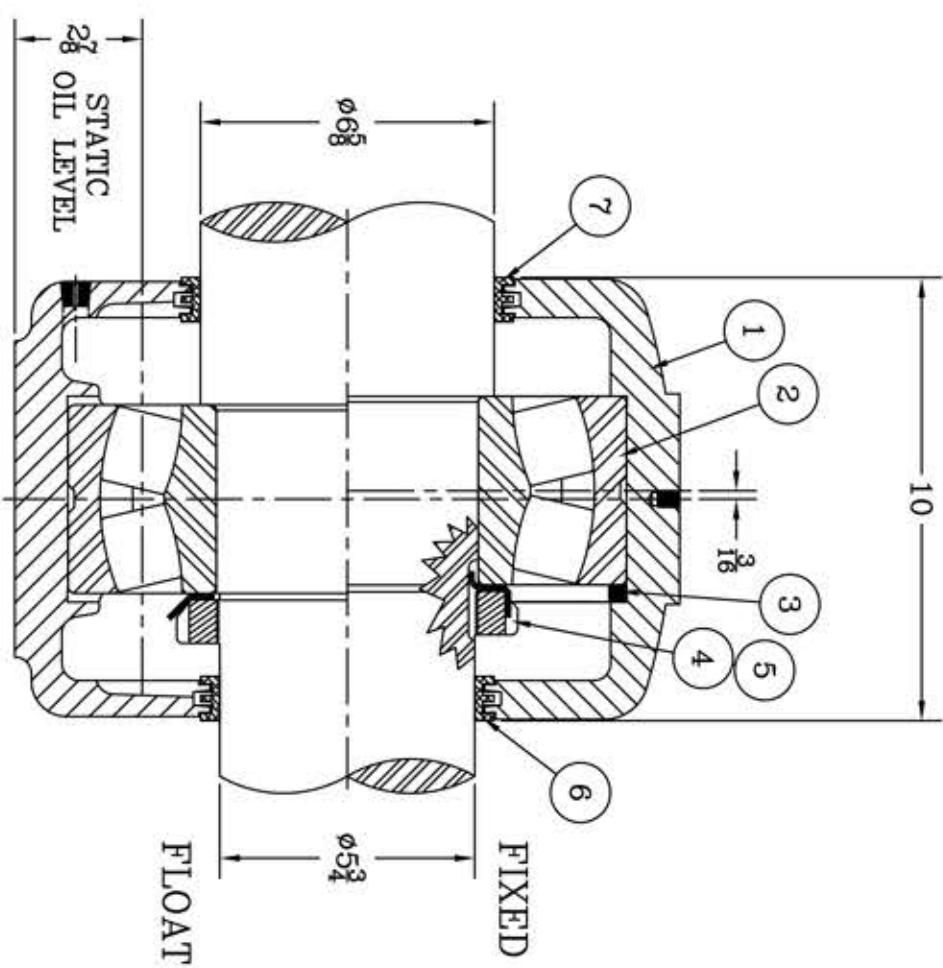
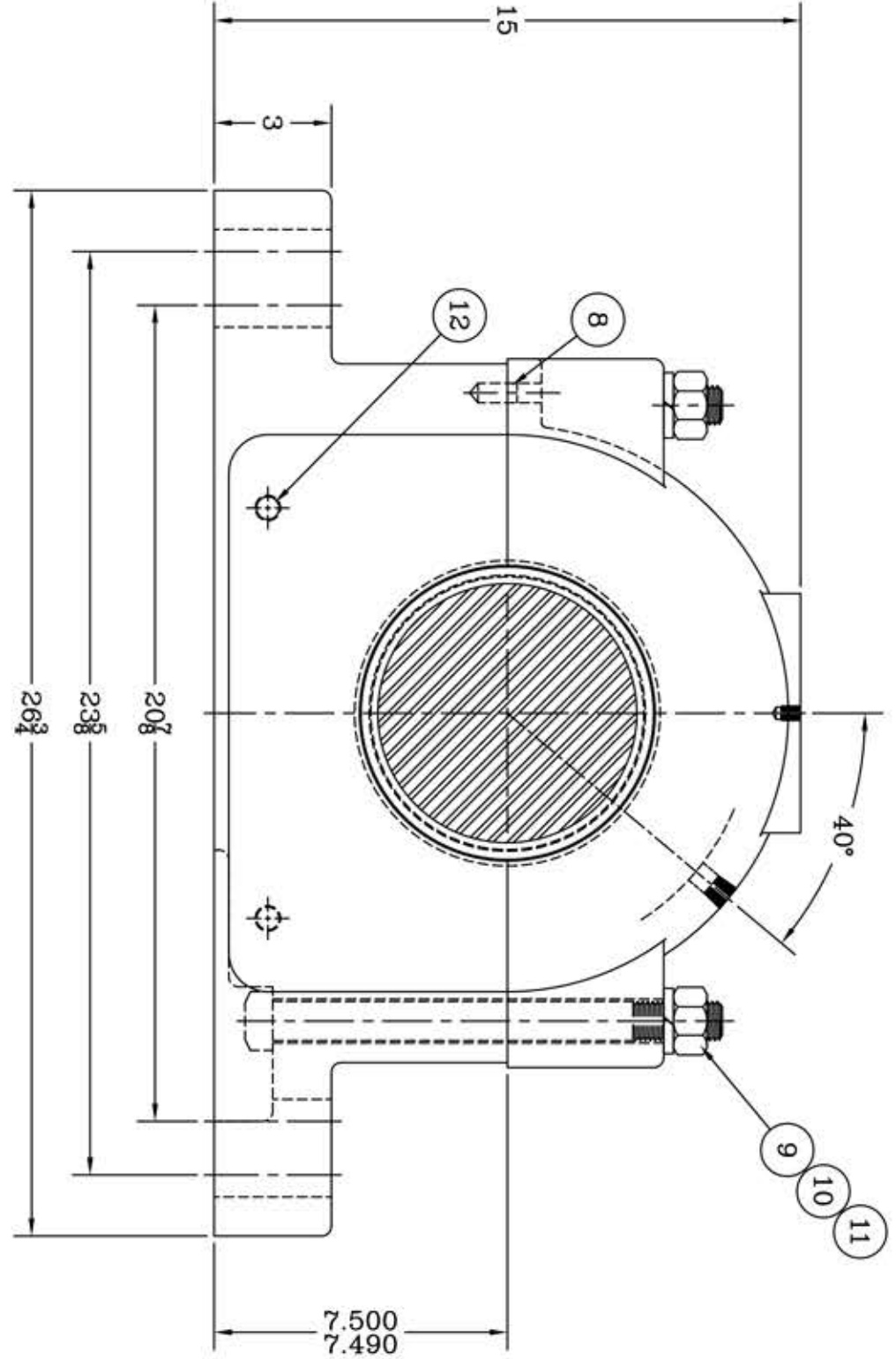


This drawing is the sole property of Miether Bearing Products and contains confidential and proprietary information. It is being provided to you for your use and may not be disclosed to any third party or used for any other purpose without Miether's prior written consent. The [materials] must be returned to the Company upon its demand. Your acceptance of these materials constitutes your acceptance of the foregoing terms.

C-14416



ITEM	DESCRIPTION	DETAIL	REQUIRED
1	HOUSING SAF 330	C-13174-R	1 1
2	SPHERICAL ROLLER BEARING	22330/W-33	1 1
3	STABILIZING RING SR-36-30	A-10610	1 0
4	LOCKNUT AN-30	B-10419	1 1
5	LOCKWASHER W-30	00249	1 1
6	TRIPLE SEAL RING LER-134	A-10621	1 1
7	TRIPLE SEAL RING LER-151	A-10620	1 1
8	DOWEL	$\phi \frac{1}{2}$ x 1" LONG	2 2
9	CAP BOLT SQUARE HEAD	1-8 NC x $1\frac{1}{2}$ " LONG	4 4
10	CAP BOLT HEX NUT	1-8 NC	4 4
11	LOCKWASHER	1" SPLIT MED.	4 4
12	PIPE PLUG	$\frac{3}{8}$ -18 NPT	3 3



REDRAWN FOR CONFORMITY RWB per KAB 5-11-04

REDRAWN ON COMPUTER by OMI 9-4-00

REVISIONS

SYMBOL	DESCRIPTION
C	...
D	...
E	...
F	...
G	...
J	...
K	...

AN ALCO INDUSTRIES COMPANY
BEARING PRODUCTS
ODESSA, TX USA

SAF 22330	06-10 x 05-12
ASSEMBLY DRAWING	
SCALE 1 = 3	ASSEMBLY NO.
DRAWN CJ	DRAWING NO.
DATE 3/9/71	C-14416
CHK:	

TOLERANCE: UNLESS OTHERWISE SPECIFIED

FRACTIONS $\pm 1/32$ "

DECIMALS $\pm .005$ "

CASTING $\pm 1/16$ "

WELD $\pm 1/16$ "

ANGLES $\pm 30^\circ$

A.I.S.I. STANDARD FINISHES