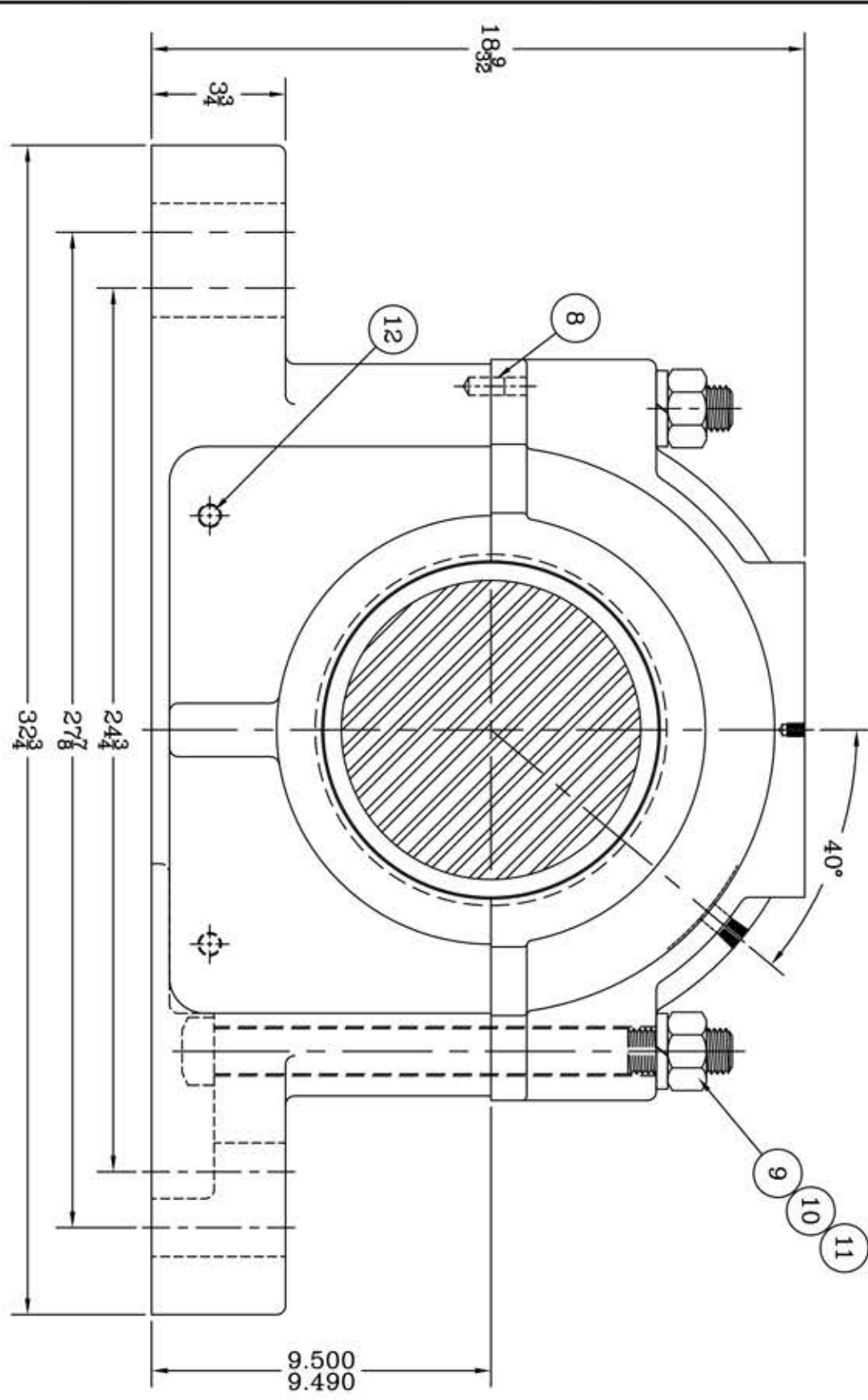
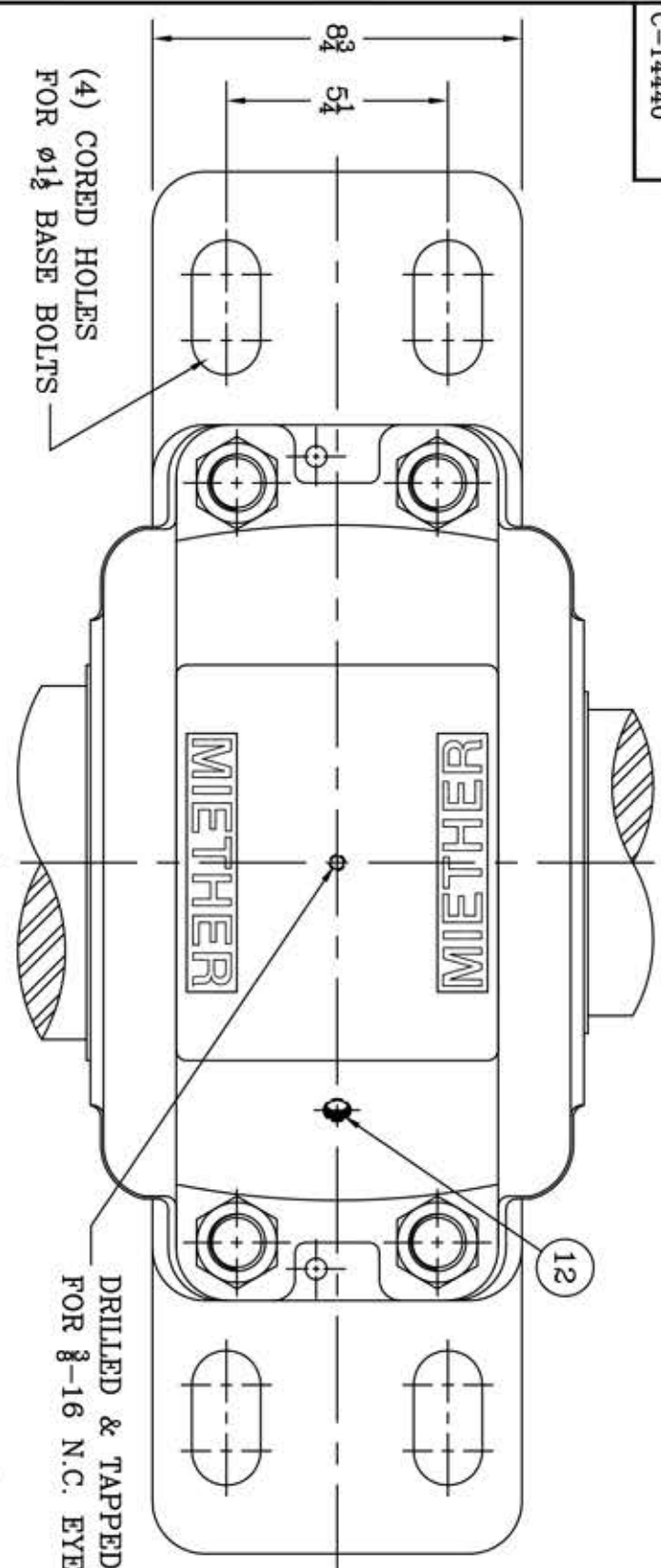
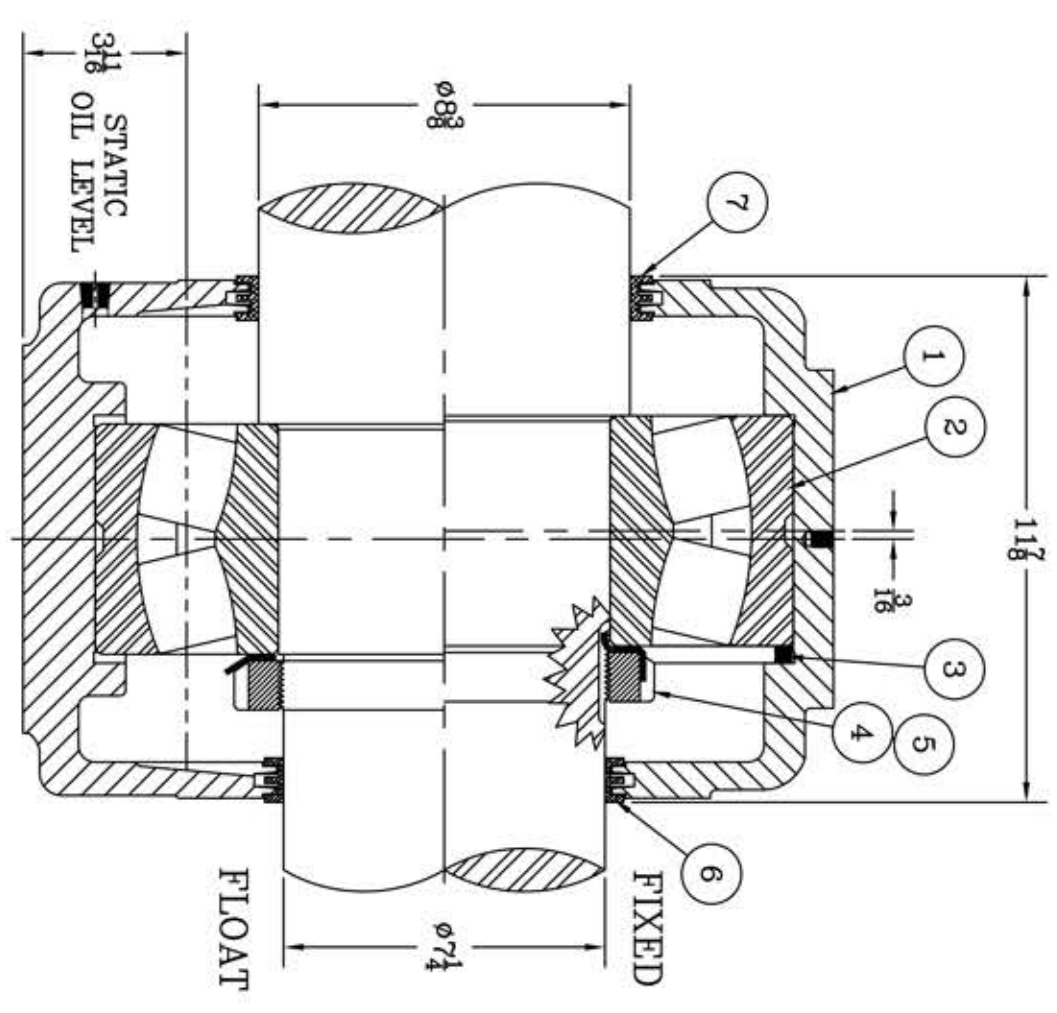


This drawing is the sole property of Miether Bearing Products and contains confidential and proprietary information. It is being provided to you for your use and may not be disclosed to any third party or used for any other purpose without Miether's prior written consent. The [materials] must be returned to the Company upon its demand. Your acceptance of these materials constitutes your acceptance of the foregoing terms.

C-14440



ITEM	DESCRIPTION	DETAIL	REQUIRED
1	HOUSING SAF 338	C-13178	1 1
2	SPHERICAL ROLLER BEARING	22338/W-33	1 1
3	STABILIZING RING SR-44-38	A-11612	1 0
4	LOCKNUT AN-38	B-10423	1 1
5	LOCKWASHER W-38	00253	1 1
6	TRIPLE SEAL RING LER-160	A-10590	1 1
7	TRIPLE SEAL RING LER-171	A-10593	1 1
8	DOWEL	$\phi \frac{1}{2}$ x 1" LONG	2 2
9	CAP BOLT SQUARE HEAD	$1\frac{1}{4}$ -7 NC x $1\frac{1}{2}$ LONG	4 4
10	CAP BOLT HEX NUT	$1\frac{1}{4}$ -7 NC	4 4
11	LOCKWASHER	$1\frac{1}{4}$ SPLIT MED.	4 4
12	PIPE PLUG	$\frac{3}{8}$ -18 NPT	3 3



REDRAWN FOR CONFORMITY RWB per KAB 5-17-04

REDRAWN ON COMPUTER by FM 4-28-98

REVISIONS

SYMBOL	DESCRIPTION	MICRO-INCH VALUE
C	CONFORMITY	16
D	COMPUTER	32
E	...	63
F	...	125
G	...	250
J	...	500
K	...	1000

TOLERANCE: UNLESS OTHERWISE SPECIFIED

FRACTIONS $\pm 1/32$ " ANGLES $\pm 0^\circ 30'$

DECIMALS $\pm .005$ " WELD $\pm 1/16$ "

CASTING $\pm 1/16$ "

A.I.S.I. STANDARD FINISHES

AN ALCO INDUSTRIES COMPANY

BEARING PRODUCTS

ODESSA, TX USA

SAF 22338 08-06 x 07-04

ASSEMBLY DRAWING

SCALE 1 = 3

DRAWN CJ

DATE 3/10/71

CHK:

ASSEMBLY NO.

DRAWING NO. C-14440