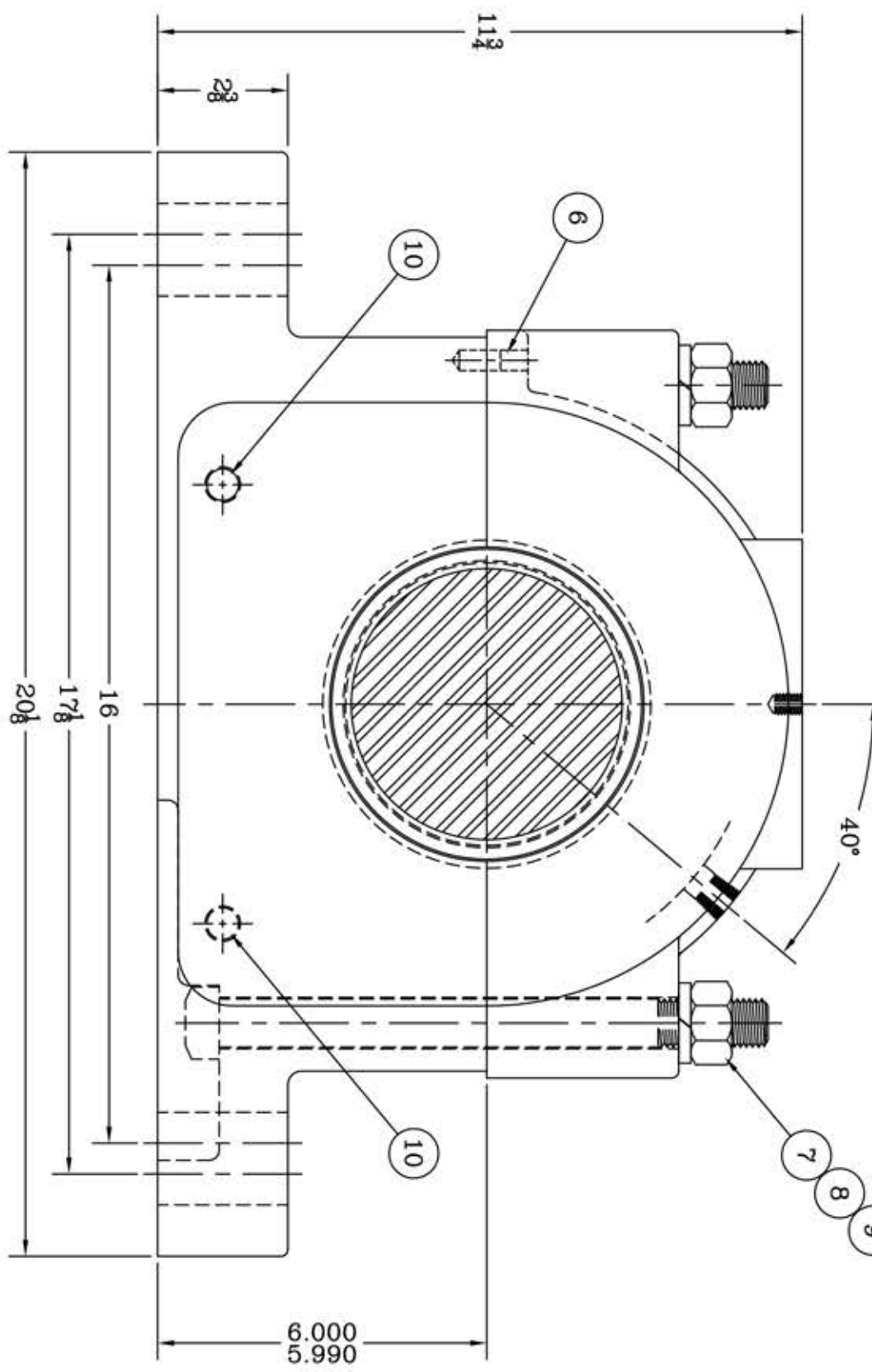
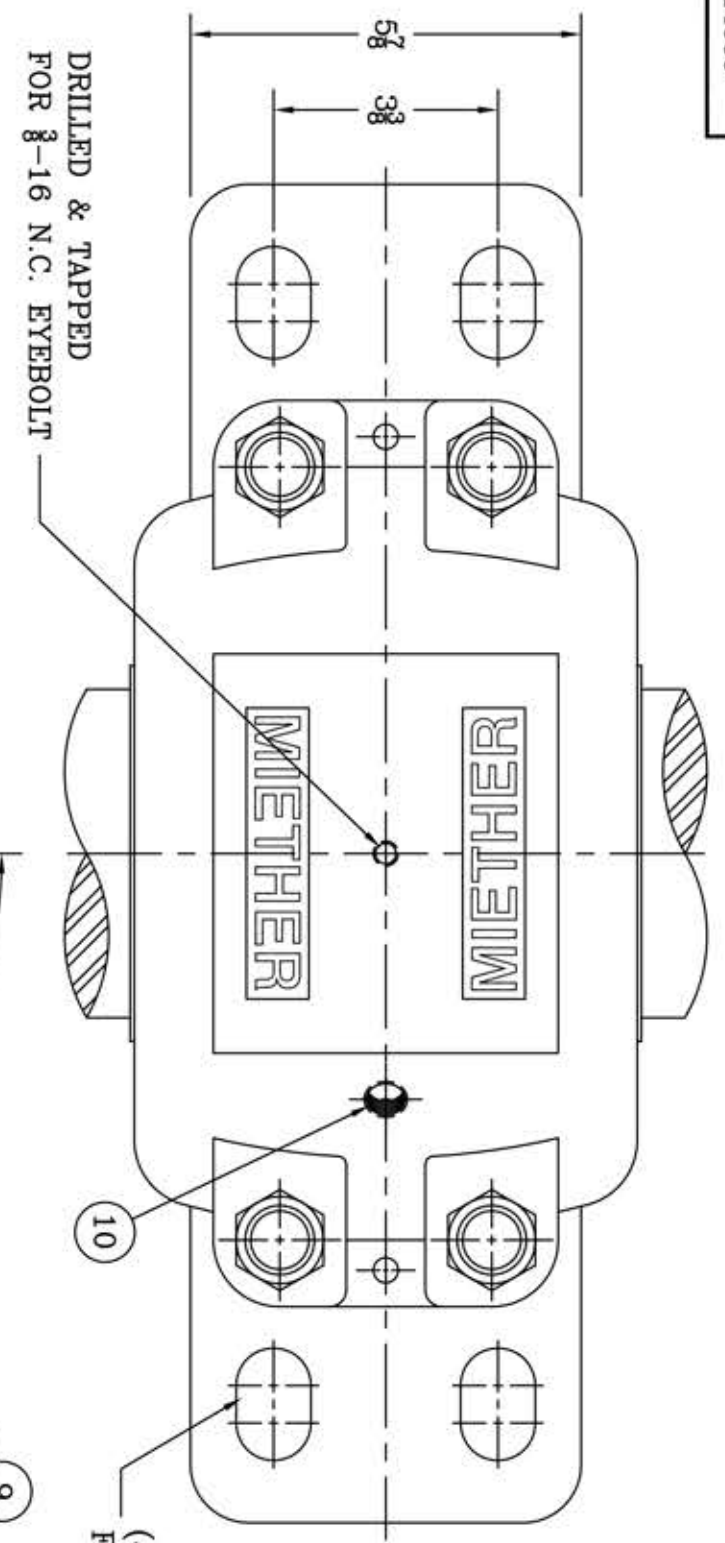
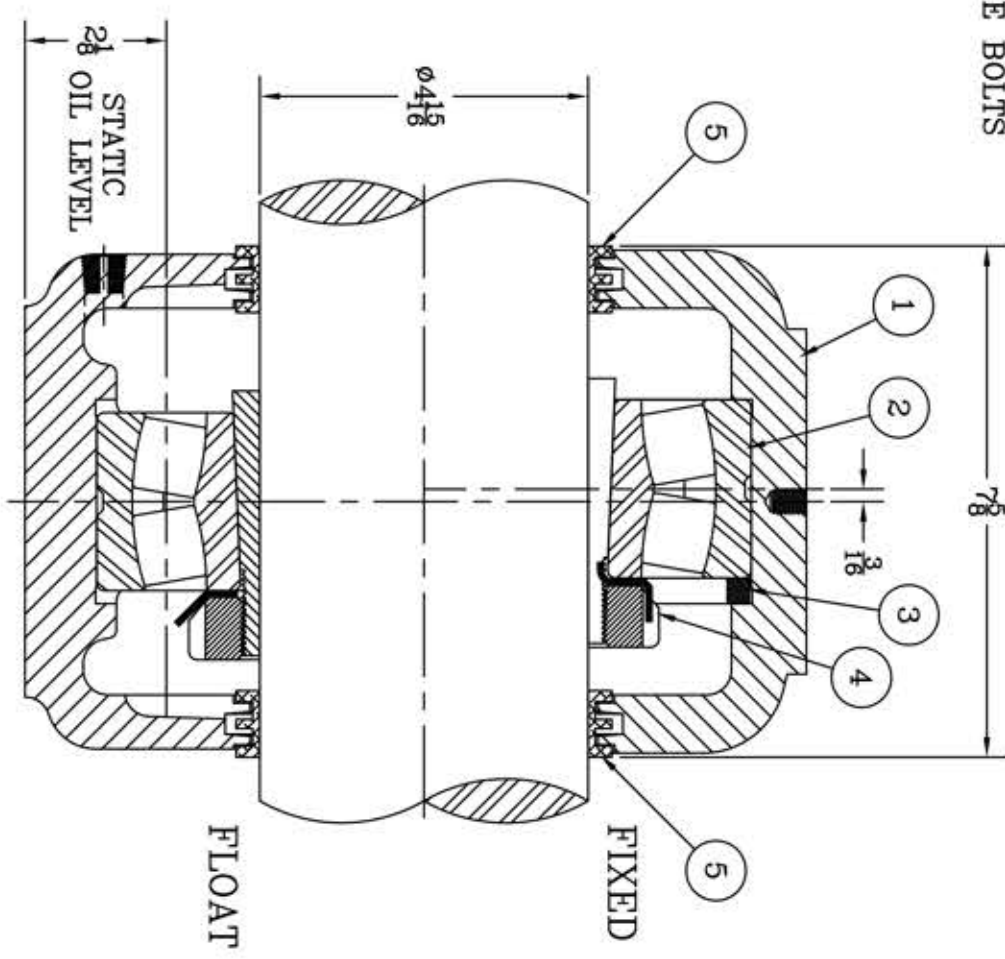


This drawing is the sole property of Miether Bearing Products and contains confidential and proprietary information. It is being provided to you for your use and may not be disclosed to any third party or used for any other purpose without Miether's prior written consent. The [materials] must be returned to the Company upon its demand. Your acceptance of these materials constitutes your acceptance of the foregoing terms.

C-14066



| ITEM | DESCRIPTION | DETAIL | REQUIRED |
|------|--------------------------|---------------------|----------|
| 1 | HOUSING SAF 528 | C-13158-R | 1 1 |
| 2 | SPHERICAL ROLLER BEARING | 22228K/W-33 | 1 1 |
| 3 | STABILIZING RING SR-28-0 | A-10606 | 1 0 |
| 4 | ADAPTER SNW-28 04-15 | B-24435 | 1 1 |
| 5 | TRIPLE SEAL RING LER-122 | A-10499 | 2 2 |
| 6 | DOWEL | Ø 3/8 x 3/4 LONG | 2 2 |
| 7 | CAP BOLT SQUARE HEAD | 3/8-9 NC x 10" LONG | 4 4 |
| 8 | CAP BOLT HEX. NUT | 3/8-9 NC | 4 4 |
| 9 | LOCKWASHER | 3/8 SPLIT MED. | 4 4 |
| 10 | PIPE PLUG | 3/8-18 NPT | 3 3 |



REDRAWN FOR CONFORMITY
RWB per KAB
2-11-04

REVISIONS

| SYMBOL | DESCRIPTION |
|--------|-------------|
| ✓ | 16 |
| ∇ | 32 |
| ∇ | 63 |
| ∇ | 125 |
| ∇ | 250 |
| ∇ | 500 |
| ∇ | 1000 |

TOLERANCE: UNLESS OTHERWISE SPECIFIED

FRACTIONS $\pm 1/32"$ ANGLES $\pm 0^\circ 30'$
 DECIMALS $\pm .005$ WELD $\pm 1/16"$
 CASTING $\pm 1/16"$

A.I.S.I. STANDARD FINISHES

AN ALCO INDUSTRIES COMPANY
 BEARING PRODUCTS
 ODESSA, TX. USA

SAF 22528 04-15
 ASSEMBLY DRAWING

SCALE HALF
 DRAWN GM
 DATE 1/20/70
 CHK:

ASSEMBLY NO.
 DRAWING NO.
 C-14066