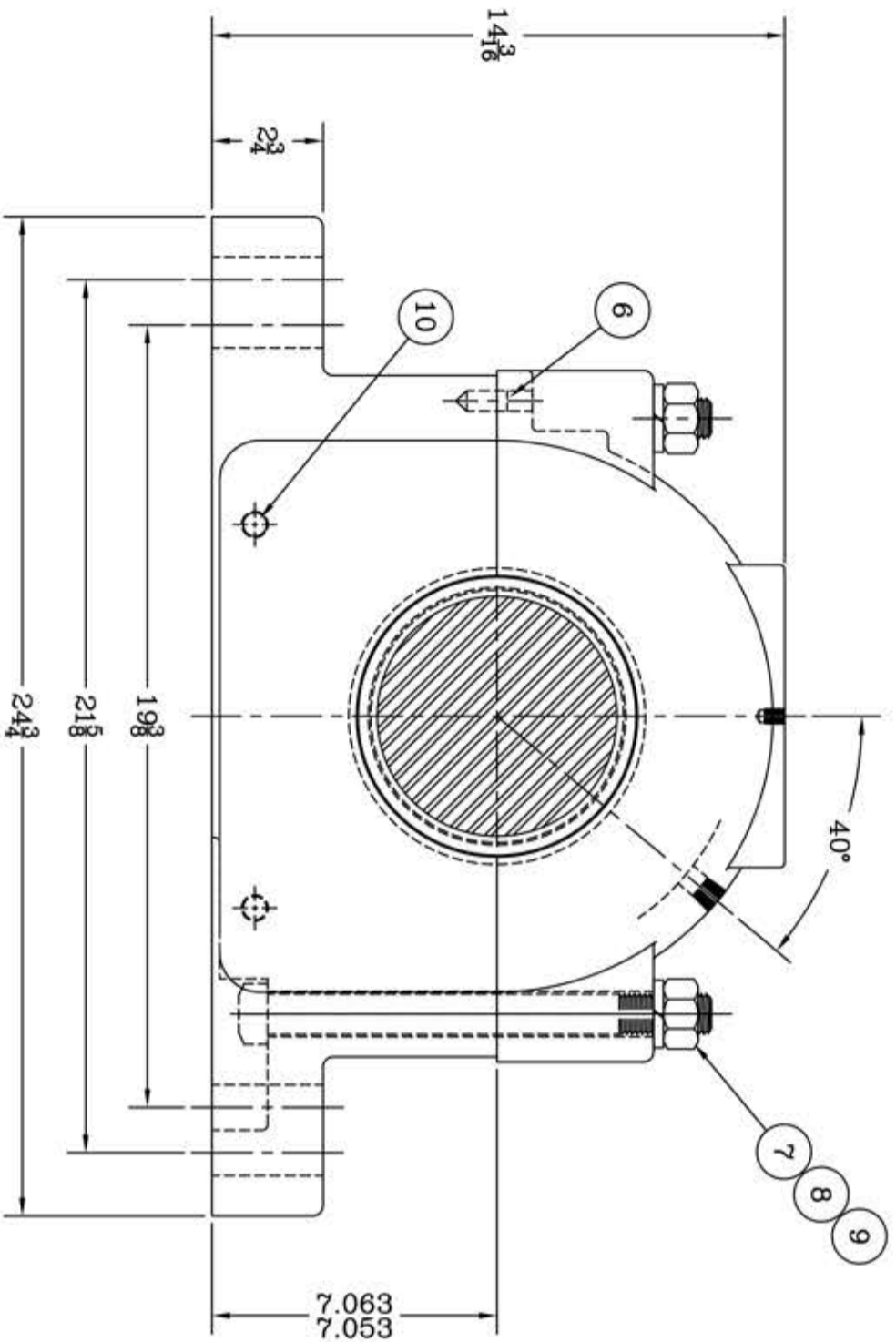
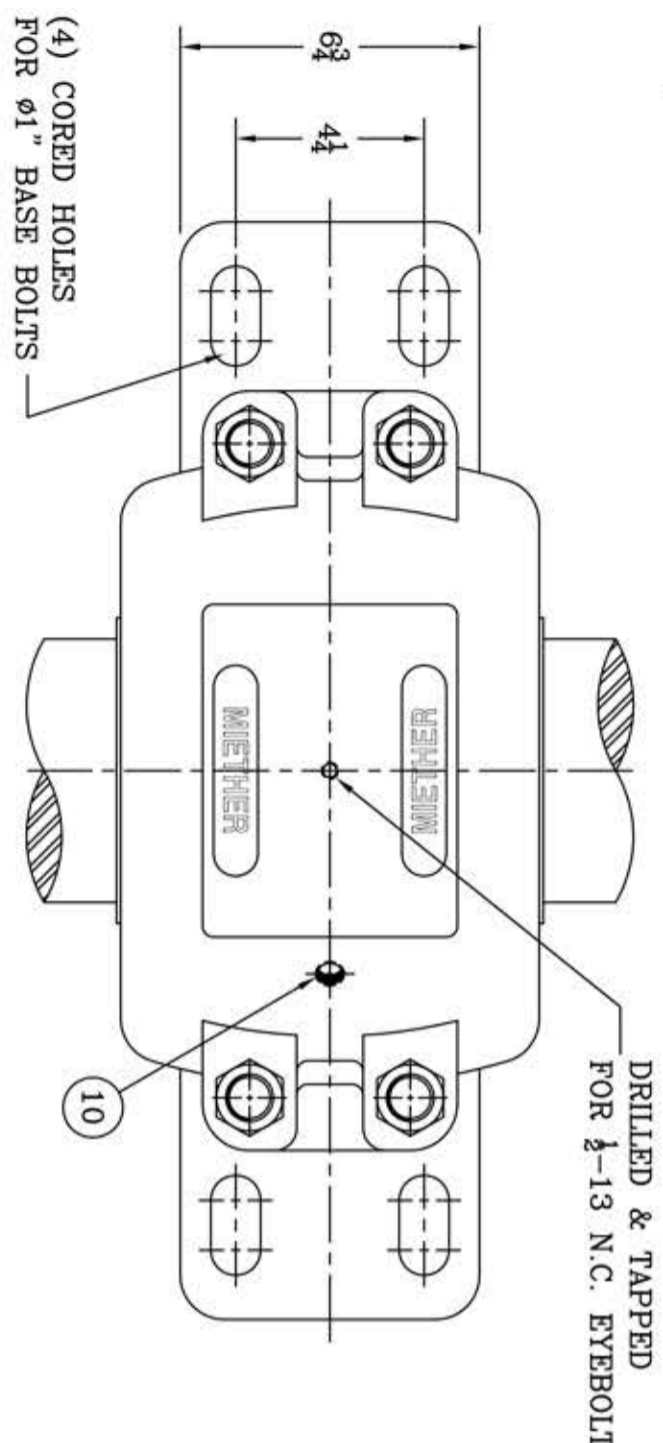
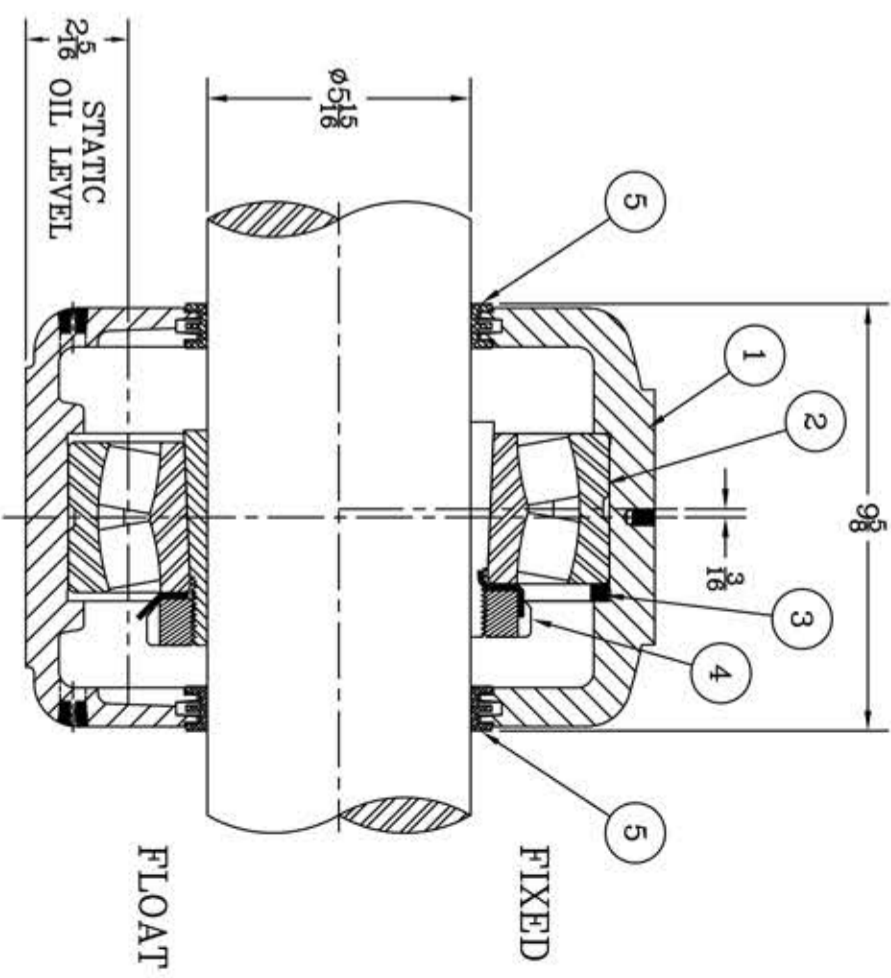


This drawing is the sole property of Miether Bearing Products and contains confidential and proprietary information. It is being provided to you for your use and may not be disclosed to any third party or used for any other purpose without Miether's prior written consent. The [materials] must be returned to the Company upon its demand. Your acceptance of these materials constitutes your acceptance of the foregoing terms.

C-14084



ITEM	DESCRIPTION	DETAIL	REQUIRED
1	HOUSING SAF 534 05-15	C-13161-R	1 1
2	SPHERICAL ROLLER BEARING	22234K/W-33	1 1
3	STABILIZING RING SR-34-0	A-10609	1 0
4	ADAPTER SNW-34 05-15	24449	1 1
5	TRIPLE SEAL RING LER-140	A-10584	2 2
6	DOWEL	$\phi \frac{1}{2}$ x 1" LONG	2 2
7	CAP BOLT SQUARE HEAD	1-8 NC x 11" LONG	4 4
8	CAP BOLT HEX. NUT	1-8 NC	4 4
9	LOCKWASHER	1" SPLIT MED.	4 4
10	PIPE PLUG	$\frac{3}{8}$ -18 NPT	3 3



REDRAWN FOR CONFORMITY RWB per KAB 2-19-04

REVISIONS

SYMBOL	DESCRIPTION
V	16
D	32
E	63
F	125
G	250
J	500
K	1000

TOLERANCE: UNLESS OTHERWISE SPECIFIED  
 FRACTIONS  $\pm 1/32$ "  
 DECIMALS  $\pm .005$   
 CASTING  $\pm 1/16$ "  
 ANGLES  $\pm 0^\circ 30'$   
 WELD  $\pm 1/16$ "  
 A.I.S.I. STANDARD FINISHES

AN ALCO INDUSTRIES COMPANY  
 BEARING PRODUCTS  
 ODESSA, TX. USA

SAF 22534 05-15  
 ASSEMBLY DRAWING

SCALE 1 = 3  
 DRAWN GM  
 DATE 1/2/70  
 CHECK: C-14084

ASSEMBLY NO.  
 DRAWING NO.  
 C-14084