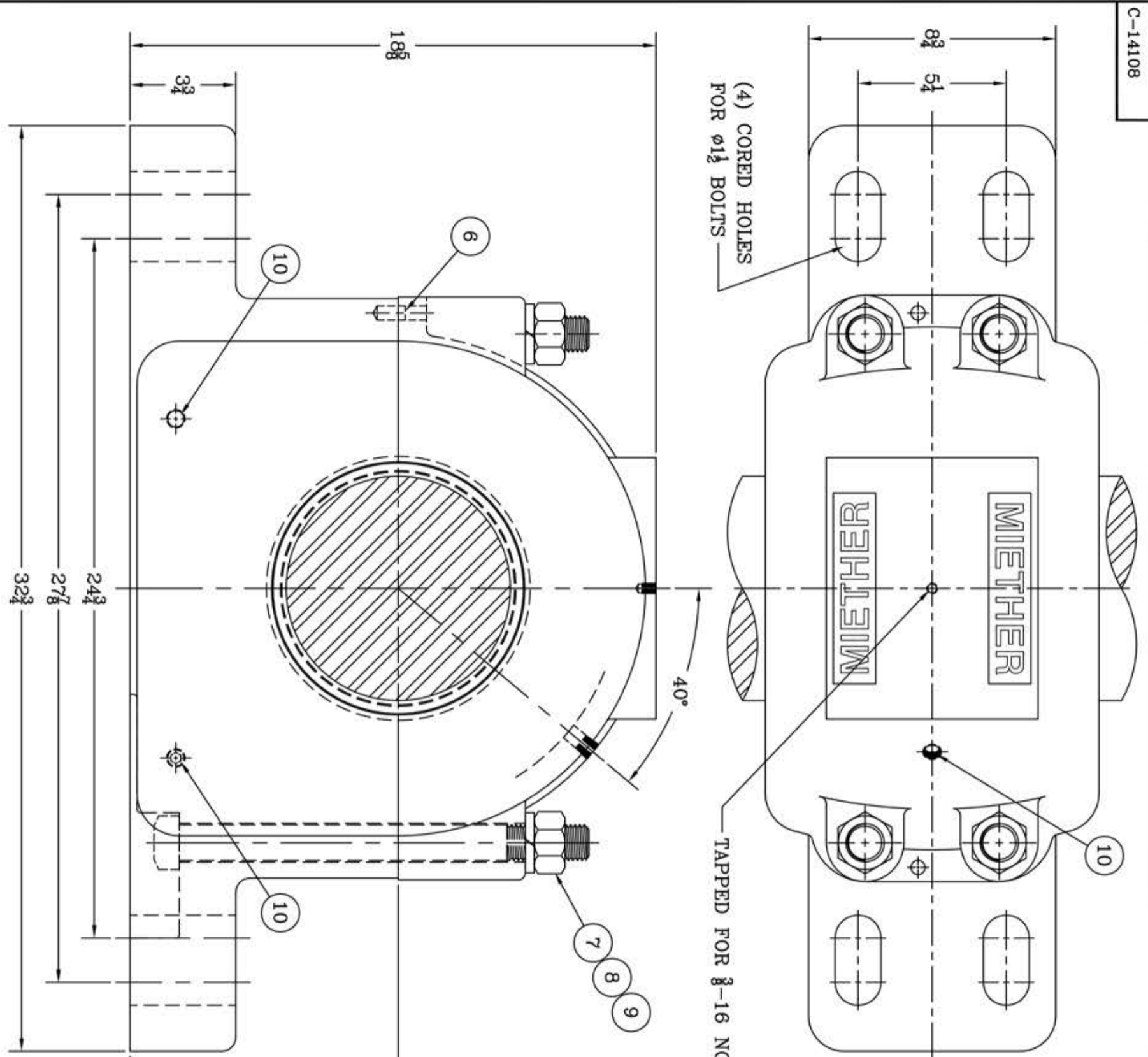
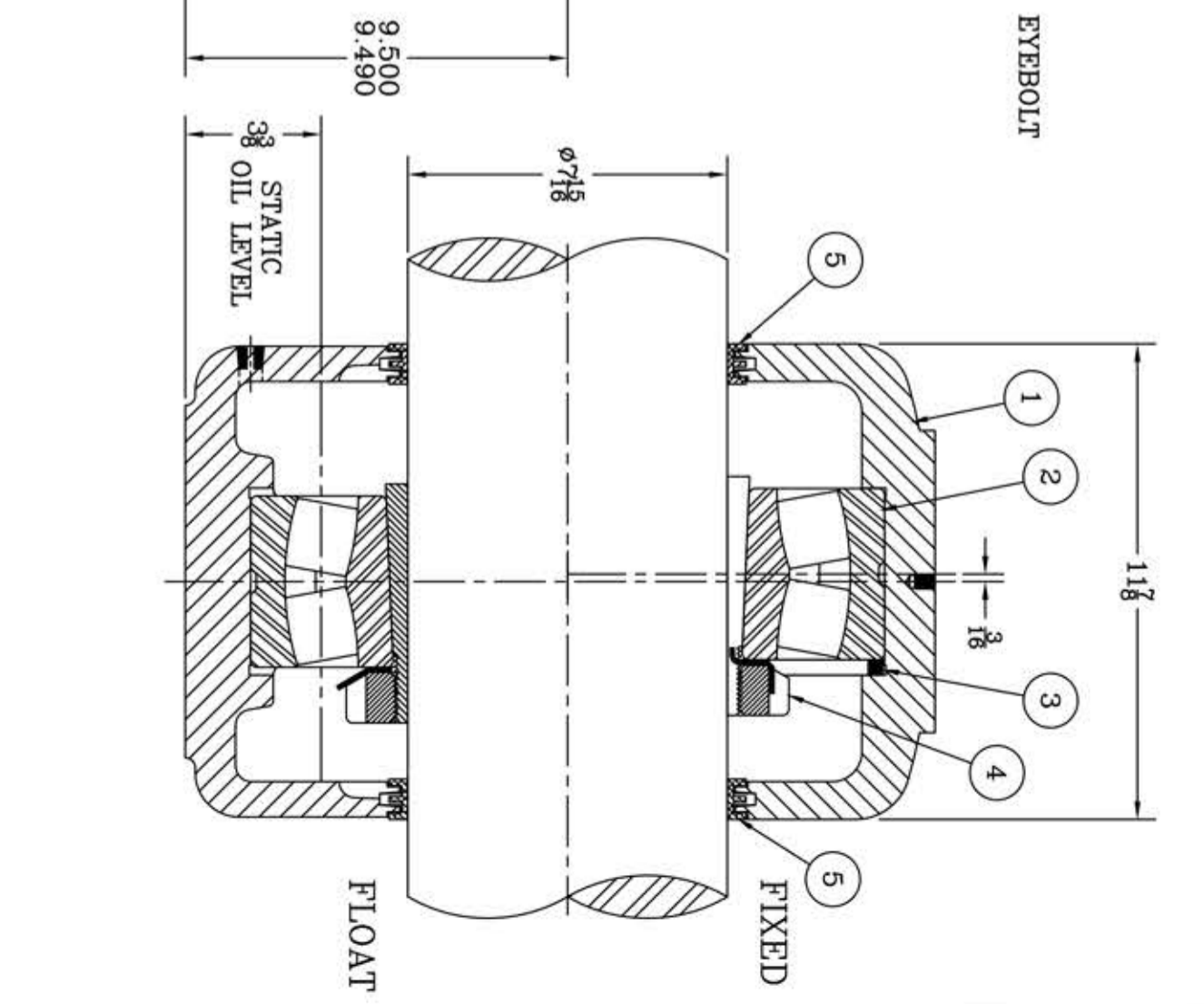


This drawing is the sole property of Miether Bearing Products and contains confidential and proprietary information. It is being provided to you for your use and may not be disclosed to any third party or used for any other purpose without Miether's prior written consent. The [materials] must be returned to the Company upon its demand. Your acceptance of these materials constitutes your acceptance of the foregoing terms.

C-14108



ITEM	DESCRIPTION	DETAIL	REQUIRED
1	HOUSING SAF 544 07-15	C-10542-R	1 1
2	SPHERICAL ROLLER BEARING	22244K/W-33	1 1
3	STABILIZING RING SR-44-38	A-10612	1 0
4	ADAPTER SNW-44 07-15	24465	1 1
5	TRIPLE SEAL RING LER-167	A-10591	2 2
6	DOWEL	φ 1/2 x 1" LONG	2 2
7	CAP BOLT SQUARE HEAD	1 1/4-7 NC x 1 1/2" LONG	4 4
8	CAP BOLT HEX. NUT	1 1/4-7 NC	4 4
9	LOCKWASHER	1 1/4 SPLIT MED.	4 4
10	PIPE PLUG	3/8-18 NPT	3 3



REDRAWN FOR CONFORMITY  
RWB per KAB  
1-9-04

REDRAWN TO SCALE by RWB  
2-24-98

REMOVED EYE BOLT  
DSA 6-27-94

HOUSING DWG.  
WAS C-13165-R  
DSA 6-27-94

REVISIONS	
SYMBOL	DESCRIPTION
16	REMOVED EYE BOLT
32	REDRAWN TO SCALE
63	REDRAWN FOR CONFORMITY
125	REMOVED EYE BOLT
250	HOUSING DWG.
500	REMOVED EYE BOLT
1000	HOUSING DWG.

TOLERANCE: UNLESS OTHERWISE SPECIFIED

FRACTIONS	± 1/32"	ANGLES	± 0° 30'
DECIMALS	± .005"	WELD	± 1/16"
CASTING	± 1/16"		

ALCO INDUSTRIES COMPANY  
BEARING PRODUCTS  
AN ALCO INDUSTRIES COMPANY  
ODESSA, TX. USA

SCALE	1 = 3	ASSEMBLY NO.
DRAWN	BAB	
DATE	2/17/88	DRAWING NO.
CHK.		C-14108

SAF 22544 07-15  
ASSEMBLY DRAWING