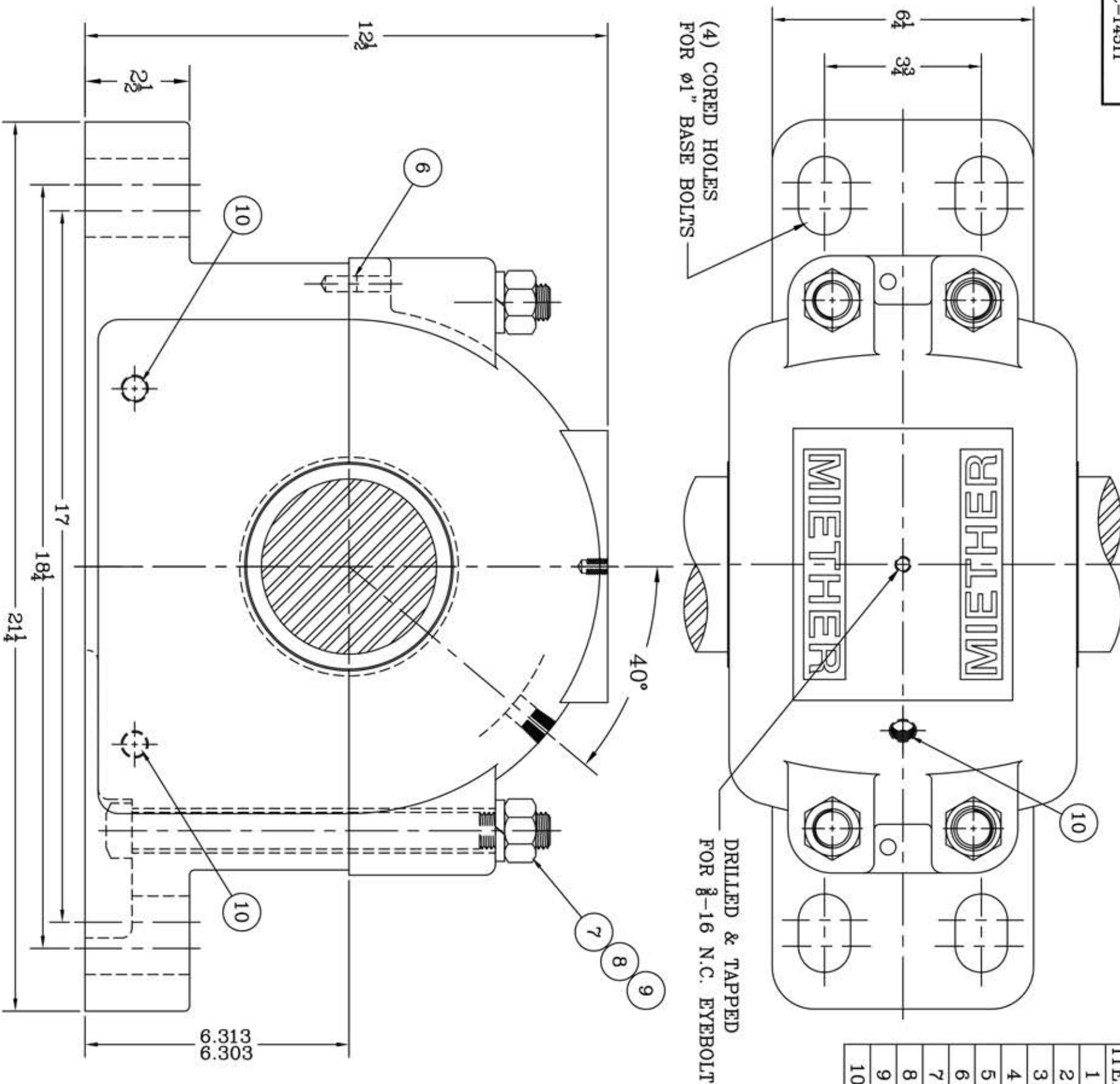
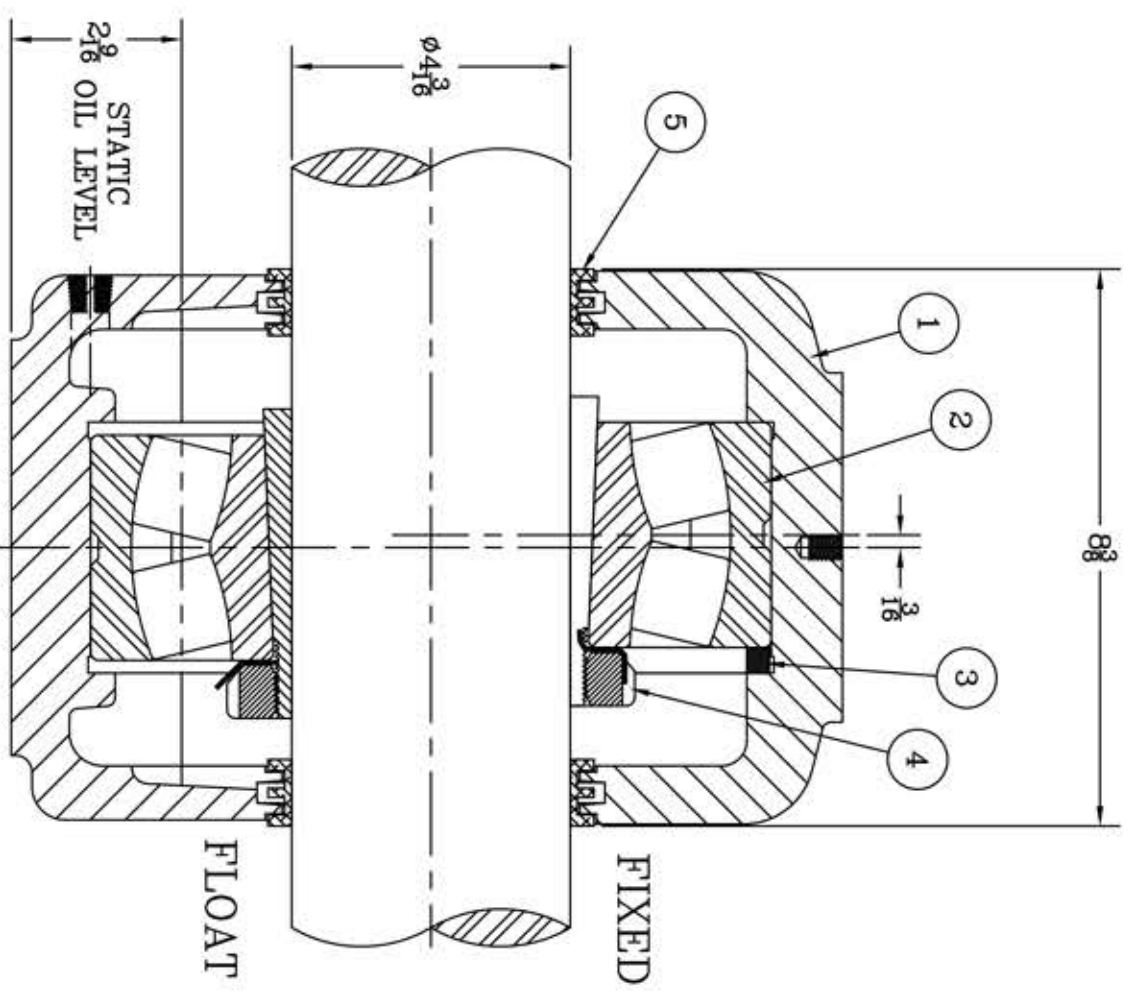


This drawing is the sole property of Miether Bearing Products and contains confidential and proprietary information. It is being provided to you for your use and may not be disclosed to any third party or used for any other purpose without Miether's prior written consent. The [materials] must be returned to the Company upon its demand. Your acceptance of these materials constitutes your acceptance of the foregoing terms.

C-14511



ITEM	DESCRIPTION	DETAIL	REQUIRED
1	HOUSING SAF 624 04-03	C-13186-R	1 1
2	SPHERICAL ROLLER BEARING	22324K/W-33	1 1
3	STABILIZING RING SR-0-24	A-15124	1 0
4	ADAPTER SNW-124 04-03	24390	1 1
5	TRIPLE SEAL RING LER-113	A-10579	2 2
6	DOWEL	$\phi 8$ x $\frac{3}{4}$ LONG	2 2
7	CAP BOLT SQUARE HEAD	$\frac{7}{8}$ -9 NC x 10" LONG	4 4
8	CAP BOLT HEX. NUT	$\frac{7}{8}$ -9 NC	4 4
9	LOCKWASHER	$\frac{7}{8}$ SPLIT MED.	4 4
10	PIPE PLUG	$\frac{3}{8}$ -18 NPT	3 3



REDRAWN FOR CONFORMITY RWB per KAB 5-5-04

REDRAWN ON COMPUTER by 3/21/01

REVISIONS

SYMBOL	DESCRIPTION
16	REVISIONS
32	
63	
125	
250	
500	
1000	

TOLERANCE: UNLESS OTHERWISE SPECIFIED

FRACTIONS  $\pm 1/32"$  ANGLES  $\pm 0^\circ 30'$

DECIMALS  $\pm .005"$  WELD  $\pm 1/16"$

CASTING  $\pm 1/16"$

A.I.S.I. STANDARD FINISHES

AN ALCO INDUSTRIES COMPANY

ODESSA, TX. USA

SAF 22624 04-03	ASSEMBLY DRAWING
SCALE HALF	ASSEMBLY NO.
DRAWN CJ	DRAWING NO.
DATE 4/21/71	CHK: C-14511