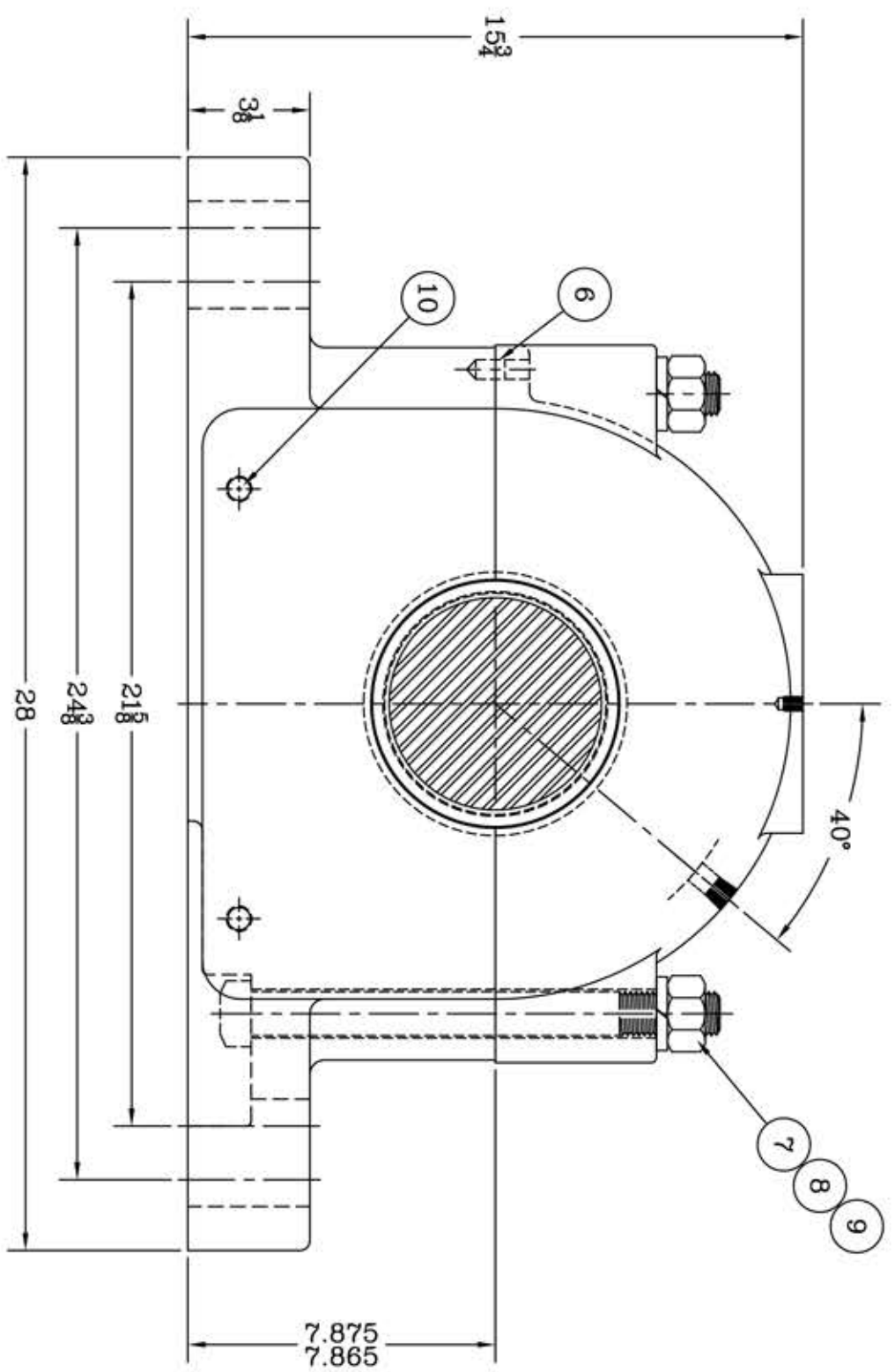
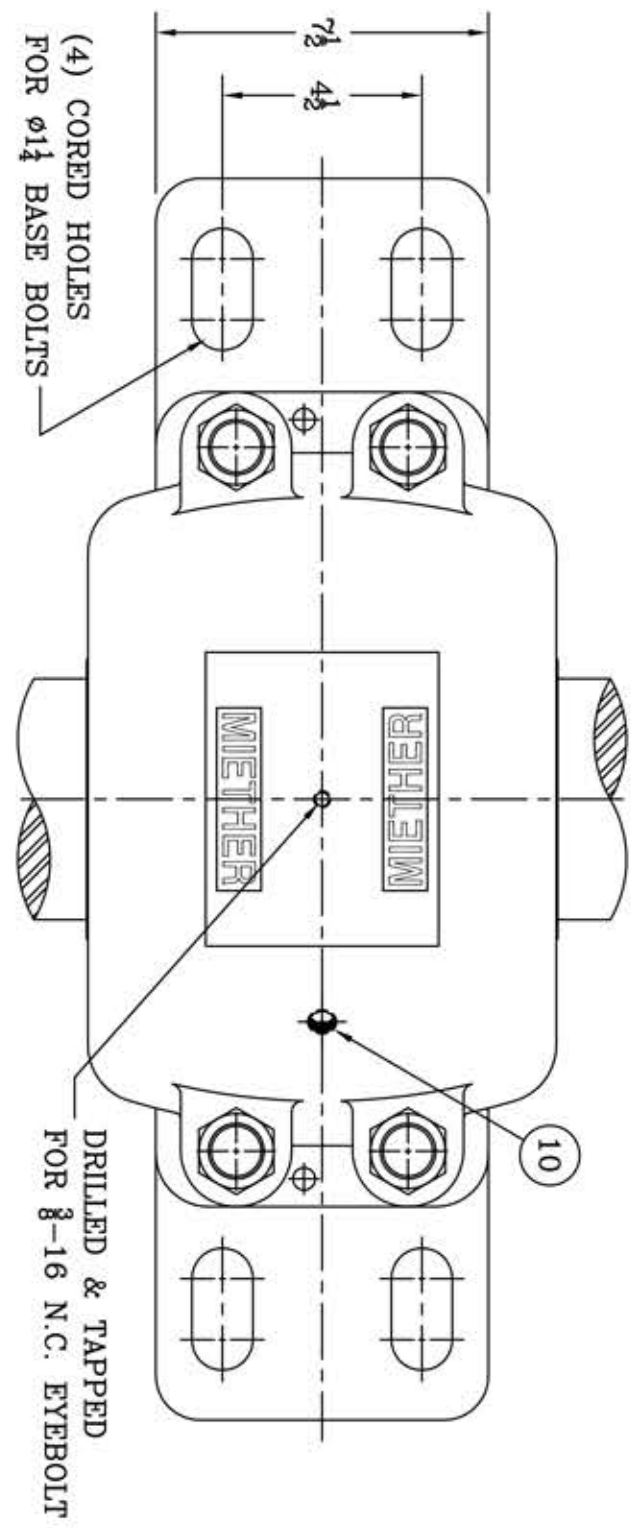
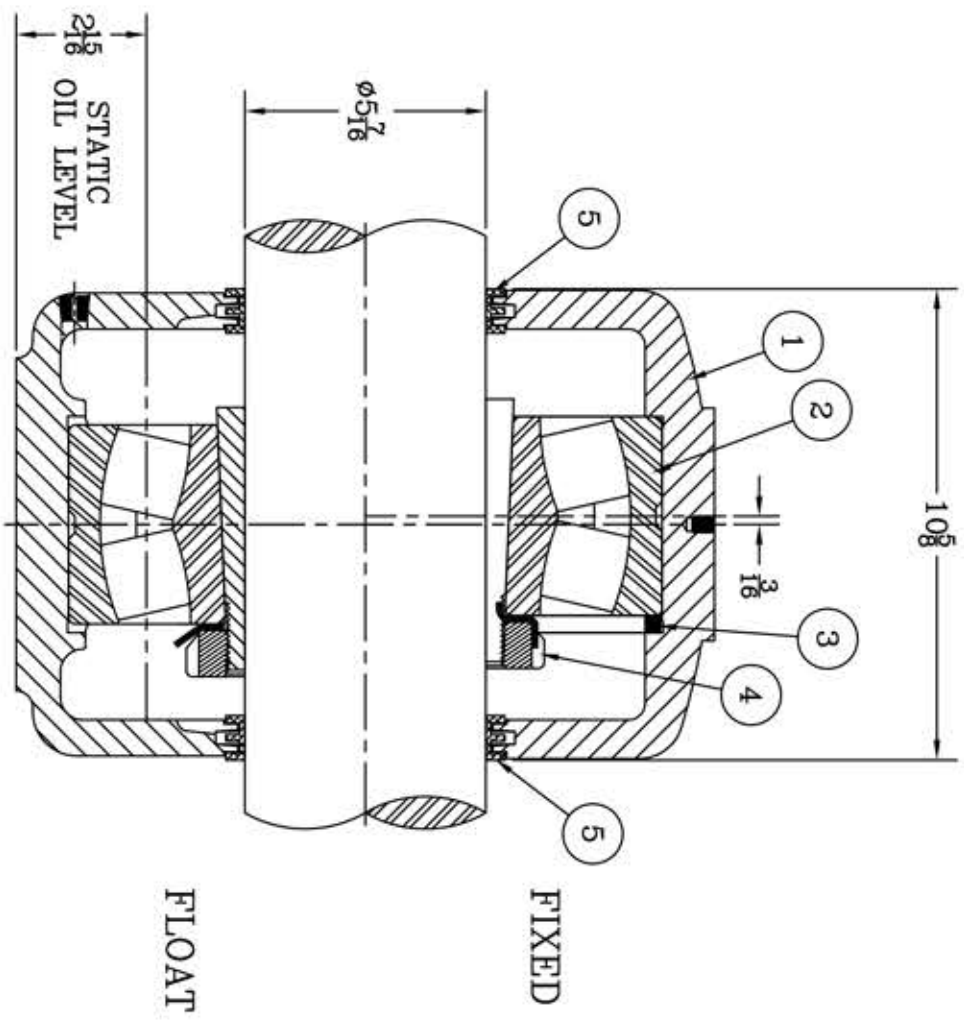


This drawing is the sole property of Miether Bearing Products and contains confidential and proprietary information. It is being provided to you for your use and may not be disclosed to any third party or used for any other purpose without Miether's prior written consent. The [materials] must be returned to the Company upon its demand. Your acceptance of these materials constitutes your acceptance of the foregoing terms.

C-14536



ITEM	DESCRIPTION	DETAIL	REQUIRED
1	HOUSING SAF 632 05-07	C-13190-R	1 1
2	SPHERICAL ROLLER BEARING	22332K/W-33	1 1
3	STABILIZING RING SR-38-32	A-10555	1 0
4	ADAPTER SNW-132 05-07	24470	1 1
5	TRIPLE SEAL RING LER-130	A-10582	2 2
6	DOWEL	$\phi 2$ x 1" LONG	2 2
7	CAP BOLT SQUARE HEAD	1 $\frac{1}{8}$ -7 NC x 12" LONG	4 4
8	CAP BOLT HEX. NUT	1 $\frac{1}{8}$ -7 NC	4 4
9	LOCKWASHER	1 $\frac{1}{8}$ SPLIT MED.	4 4
10	PIPE PLUG	$\frac{3}{8}$ -18 NPT	3 3



REDRAWN FOR CONFORMITY RWB per KAB 5-11-04

REDRAWN ON COMPUTER by RWB 5-16-01

REVISIONS

SYMBOL	DESCRIPTION
C	FRACCTIONS $\pm 1/32$ "
D	DECIMALS $\pm .005$
E	CASTING $\pm 1/16$ "
F	WELDS $\pm 1/16$ "
G	ANGLES $\pm 0^\circ 30'$
J	WEILD $\pm 1/16$ "
K	ANGLES $\pm 0^\circ 30'$

A.I.S.I. STANDARD FINISHES

MICRO-INCH VALUE	FINISH
16	C
32	D
63	E
125	F
250	G
500	J
1000	K

AN ALCO INDUSTRIES COMPANY
BEARING PRODUCTS
ODESSA, TX. USA

SAF 22632 05-07	ASSEMBLY DRAWING
SCALE 1 = 3	ASSEMBLY NO.
DRAWN CJ	DRAWING NO.
DATE 5/13/71	C-14536
CHK:	