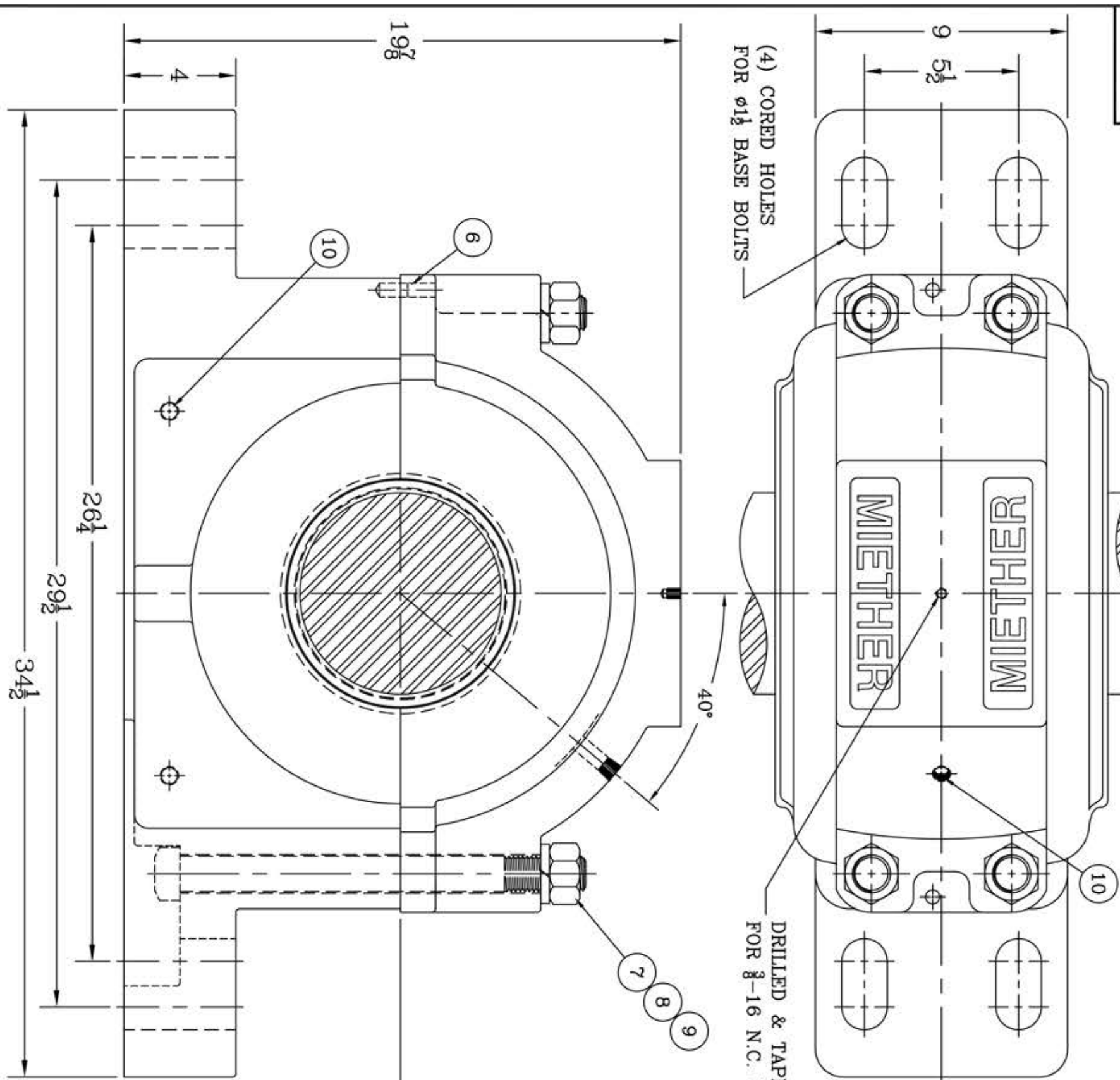


This drawing is the sole property of Miether Bearing Products and contains confidential and proprietary information. It is being provided to you for your use and may not be disclosed to any third party or used for any other purpose without Miether's prior written consent. The [materials] must be returned to the Company upon its demand. Your acceptance of these materials constitutes your acceptance of the foregoing terms.

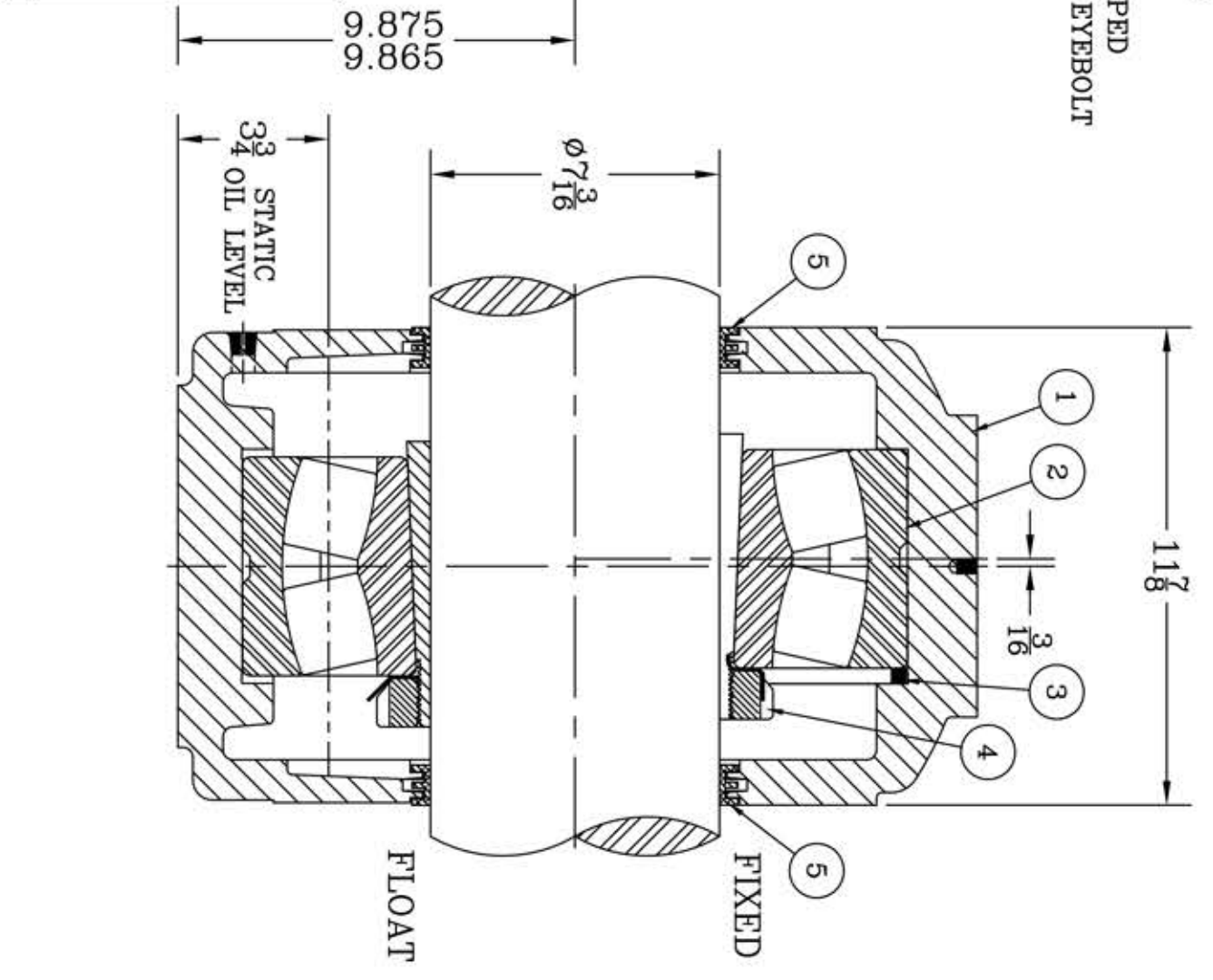
C-14559



(4) CORED HOLES FOR $\phi 1\frac{1}{2}$ BASE BOLTS

DRILLED & TAPPED FOR $\frac{3}{8}$ -16 N.C. EYEBOLT

ITEM	DESCRIPTION	DETAIL	REQUIRED
1	HOUSING SAF 640 07-03	C-13194	1 1
2	SPHERICAL ROLLER BEARING	22340K/W-33	1 1
3	STABILIZING RING SR-0-40	A-10463	1 0
4	ADAPTER SNW-140 07-03	24477	1 1
5	TRIPLE SEAL RING LER-159	A-10589	2 2
6	DOWEL	$\phi \frac{1}{2}$ x 1" LONG	2 2
7	CAP BOLT SQUARE HEAD	$1\frac{1}{4}$ -7 NC x $1\frac{1}{2}$ LONG	4 4
8	CAP BOLT HEX. NUT	$1\frac{1}{4}$ -7 NC	4 4
9	LOCKWASHER	$1\frac{1}{4}$ SPLIT MED.	4 4
10	PIPE PLUG	$\frac{3}{8}$ -18 NPT	3 3



REDRAWN FOR CONFORMITY RWB per KAB 5-26-04
 REDRAWN ON COMPUTER by OMI 6-13-01

REVISIONS

SYMBOL	DESCRIPTION
C	16
D	32
E	63
F	125
G	250
J	500
K	1000

TOLERANCE: UNLESS OTHERWISE SPECIFIED
 FRACTIONS $\pm 1/32$ " ANGLES $\pm 0^\circ 30'$
 DECIMALS $\pm .005$ WELD $\pm 1/16$ "
 CASTING $\pm 1/16$ "

A.I.S.I. STANDARD FINISHES

AN ALCO INDUSTRIES COMPANY
 BEARING PRODUCTS
 ODESSA, TX. USA

SAF 22640 07-03
 ASSEMBLY DRAWING

SCALE 1 = 3
 DRAWN CJ
 DATE 7/21/71
 CHECK: C-14559

ASSEMBLY NO.
 DRAWING NO.
 C-14559