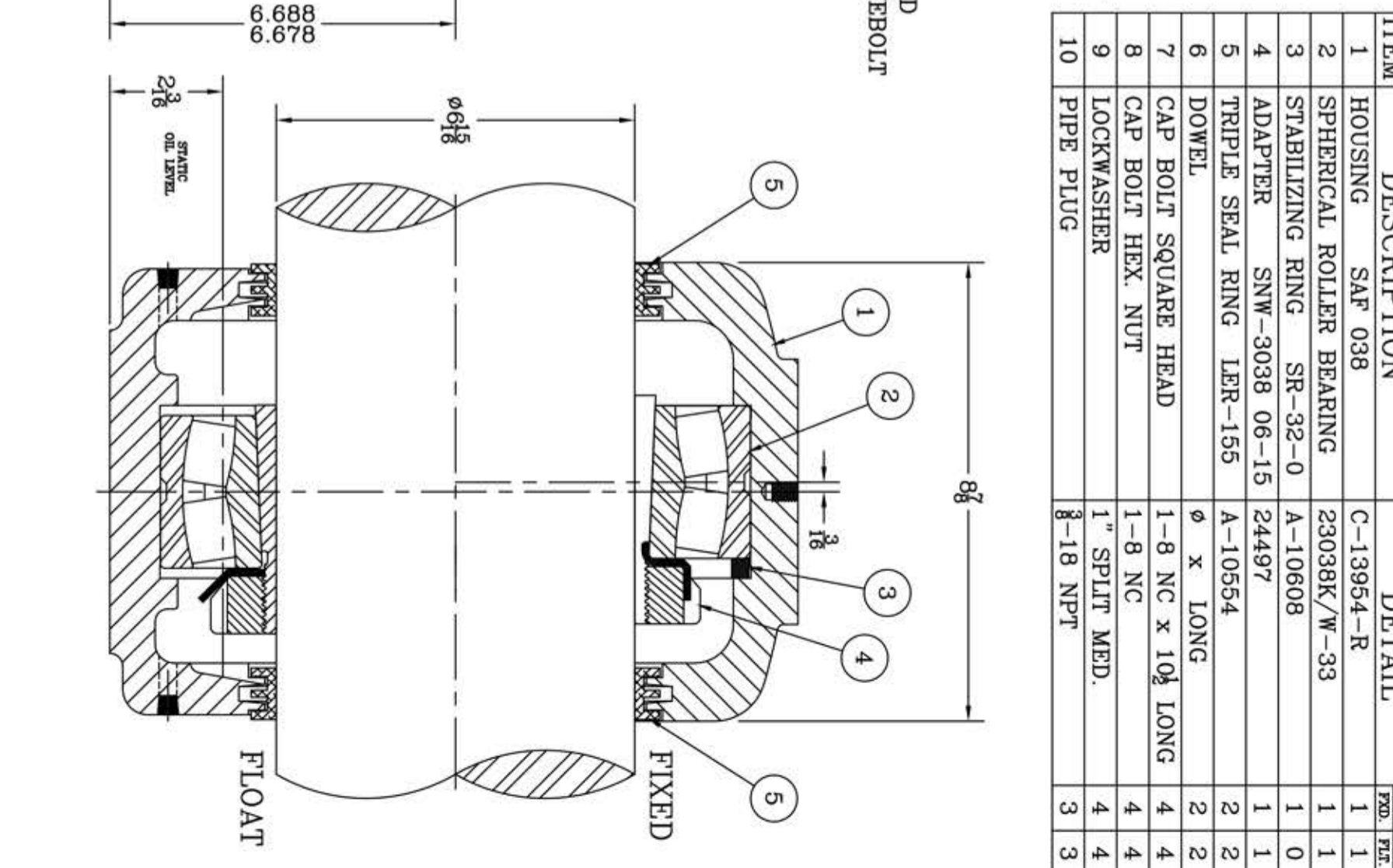
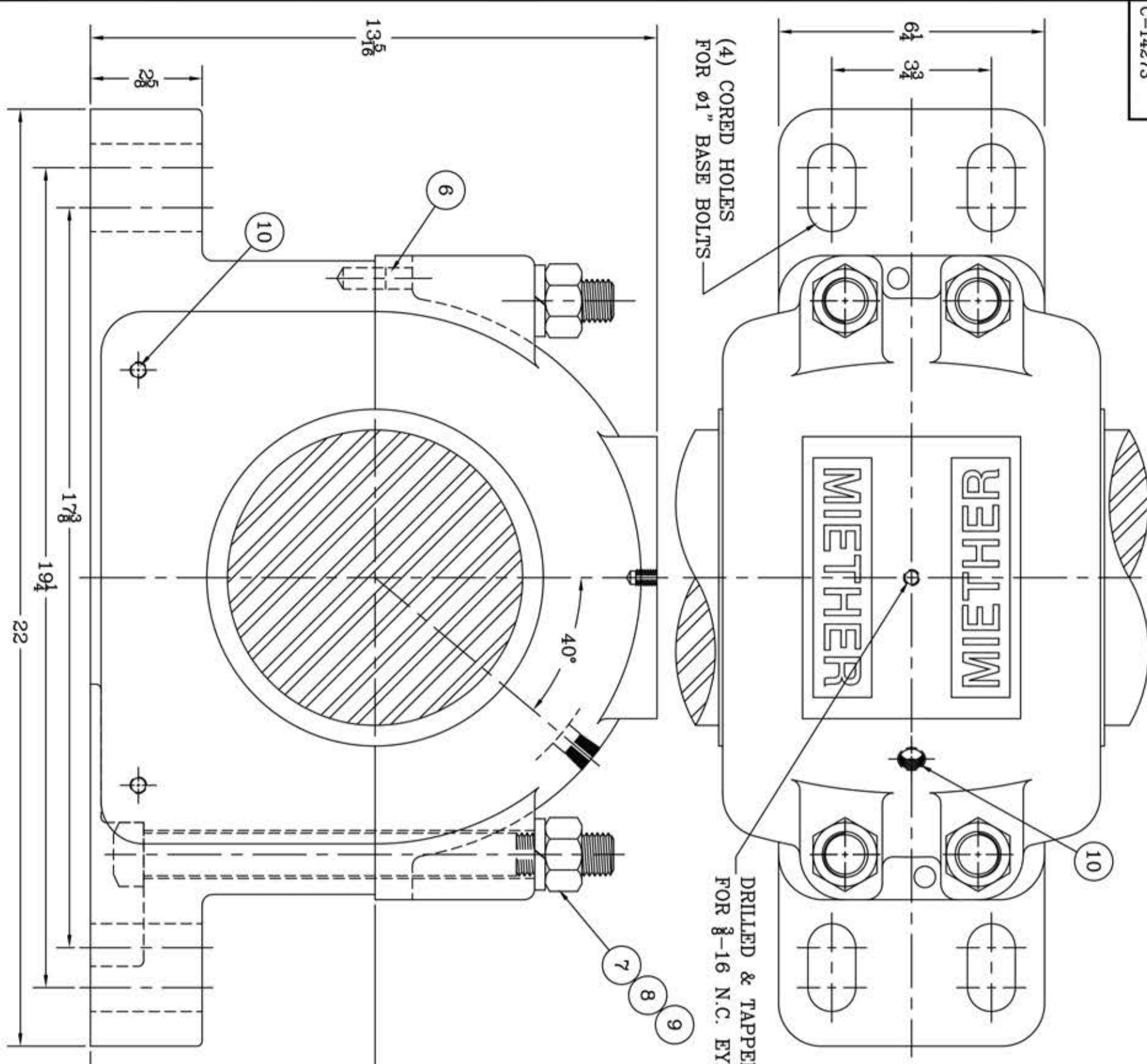


This drawing is the sole property of Miether Bearing Products and contains confidential and proprietary information. It is being provided to you for your use and may not be disclosed to any third party or used for any other purpose without Miether's prior written consent. The [materials] must be returned to the Company upon its demand. Your acceptance of these materials constitutes your acceptance of the foregoing terms.

C-14273



ITEM	DESCRIPTION	DETAIL	REQUIRED
1	HOUSING SAF 038	C-13954-R	1 1
2	SPHERICAL ROLLER BEARING	23038K/W-33	1 1
3	STABILIZING RING SR-32-0	A-10608	1 0
4	ADAPTER SNW-3038 06-15	24497	1 1
5	TRIPLE SEAL RING LER-155	A-10554	2 2
6	DOWEL	Ø x LONG	2 2
7	CAP BOLT SQUARE HEAD	1-8 NC x 10 1/2 LONG	4 4
8	CAP BOLT HEX. NUT	1-8 NC	4 4
9	LOCKWASHER	1" SPLIT MED.	4 4
10	PIPE PLUG	3/8-18 NPT	3 3

REDRAWN FOR CONFORMITY
RWB per KAB
4-13-04
REDRAWN ON COMPUTER
OMI 5-30-02

REVISIONS

SYMBOL	DESCRIPTION
C	REVISIONS
D	REVISIONS
E	REVISIONS
F	REVISIONS
G	REVISIONS
J	REVISIONS
K	REVISIONS

TOLERANCE: UNLESS OTHERWISE SPECIFIED

FRACTIONS	DECIMALS	CASTING	ANGLES	WELD
± 1/32"	± .005"	± 1/16"	± 0° 30'	± 1/16"

A.I.S.I. STANDARD FINISHES

MICRO-INCH VALUE	FINISH
16	C
32	D
63	E
125	F
250	G
500	J
1000	K

AN ALCO INDUSTRIES COMPANY
BEARING PRODUCTS
ODESSA, TX. USA

SAF 23038 K 06-15
ASSEMBLY DRAWING

SCALE HALF
DRAWN CJ
DATE 11/27/72
CHK:

ASSEMBLY NO.
DRAWING NO. C-14273