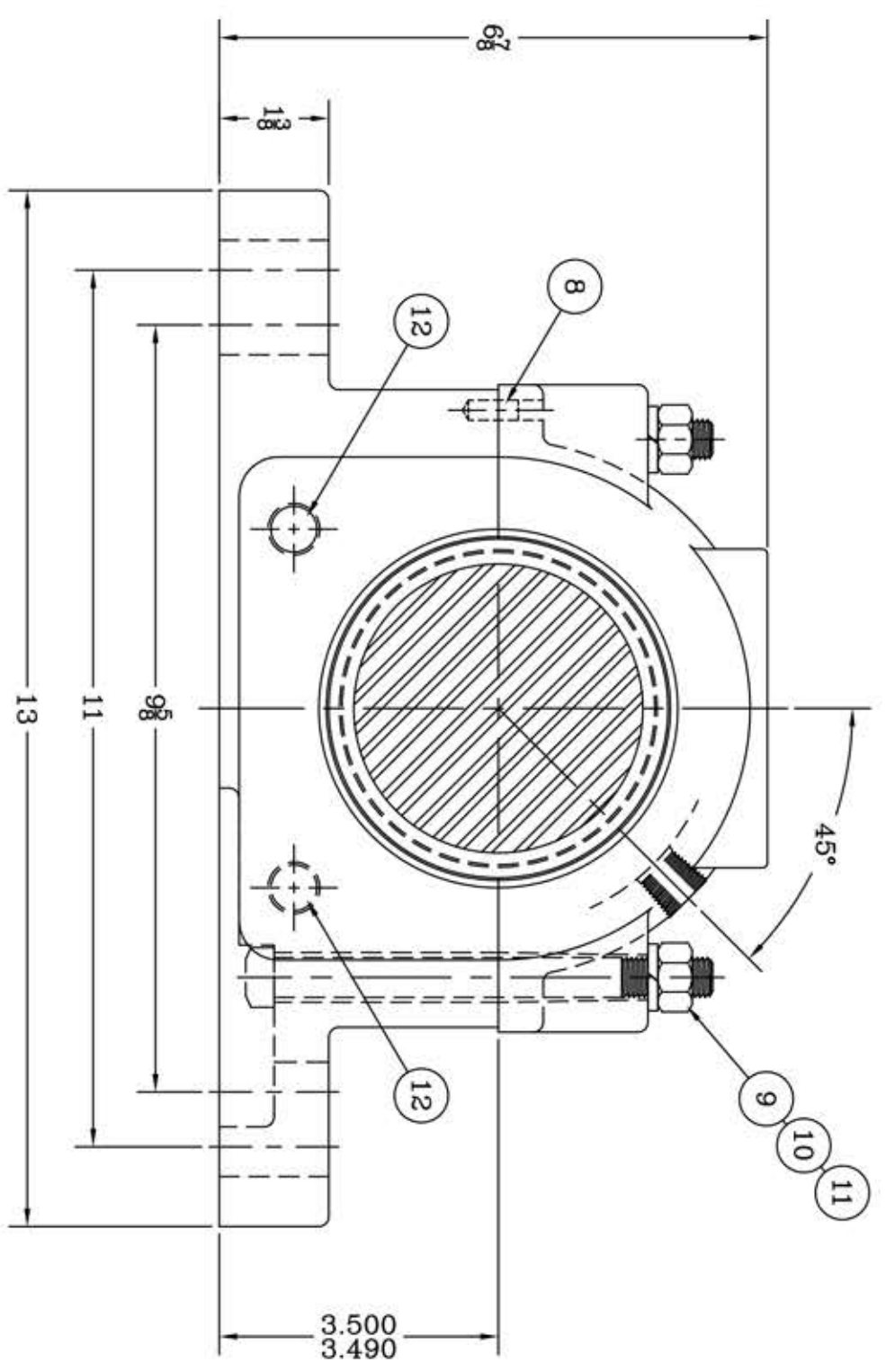
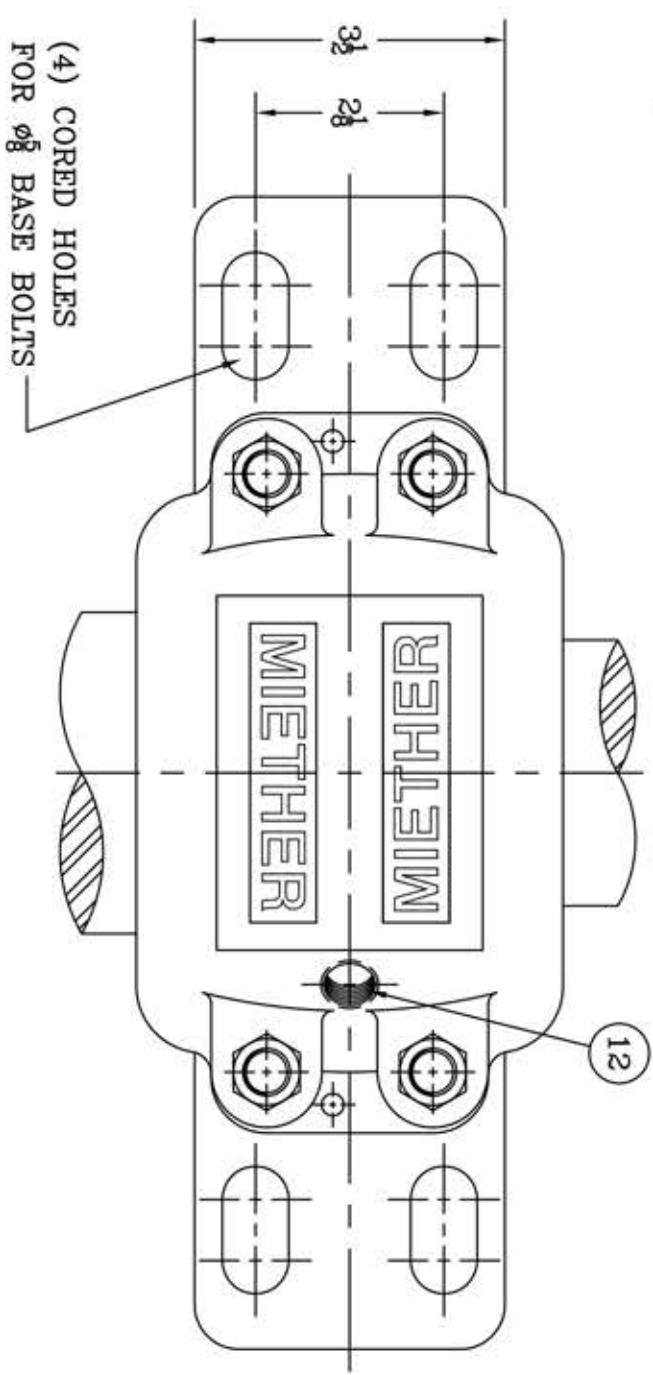
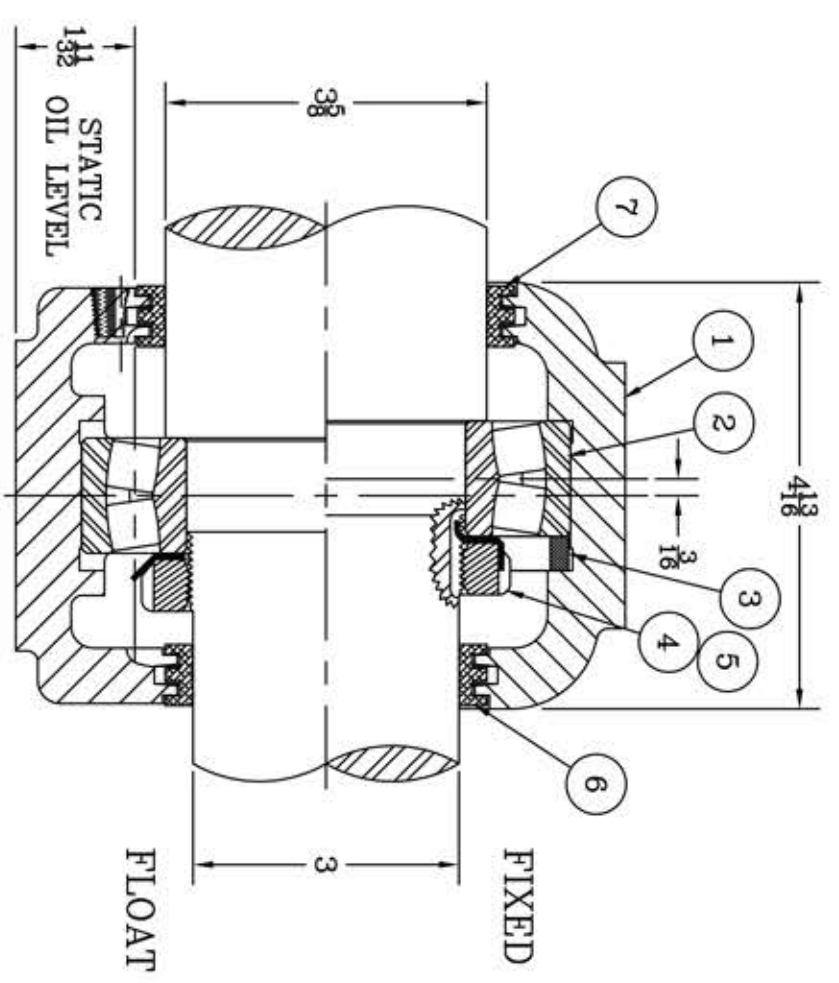


This drawing is the sole property of Miether Bearing Products and contains confidential and proprietary information. It is being provided to you for your use and may not be disclosed to any third party or used for any other purpose without Miether's prior written consent. The [materials] must be returned to the Company upon its demand. Your acceptance of these materials constitutes your acceptance of the foregoing terms.

C-35123



ITEM	DESCRIPTION	DETAIL	REQUIRED
1	HOUSING FSAPD 216	C-	1 1
2	SPHERICAL ROLLER BEARING 22216/W-33		1 1
3	STABILIZING RING SR-16-13	A-10599	1 0
4	LOCKNUT AN-16	B-11938	1 1
5	LOCKWASHER W-16	00241	1 1
6	TRIPLE SEAL RING LER-54	A-11061	1 1
7	TRIPLE SEAL RING LER-82	A-11075	1 1
8	DOWEL	Ø 1/4 x 3/8 LONG	2 2
9	CAP BOLT SQUARE HEAD GR 5	1/2-13 NC x 5 1/2 LONG	4 4
10	CAP BOLT HEX. NUT	1/2-13 NC	4 4
11	LOCKWASHER	1/2 SPLIT MED.	4 4
12	PIPE PLUG	3/8-18 NPT	3 3



REVISIONS

SYMBOL	DESCRIPTION
C	...
D	...
E	...
F	...
G	...
J	...
K	...

TOLERANCE: UNLESS OTHERWISE SPECIFIED
 FRACTIONS ± 1/32"
 DECIMALS ± .005"
 CASTING ± 1/16"
 ANGLES ± 0° 30'
 WELD ± 1/16"
 A.I.S.I. STANDARD FINISHES

AN ALCO INDUSTRIES COMPANY
 BEARING PRODUCTS
 ODESSA, TX. USA

FSAPD 22216 03-10 x 03-00	ASSEMBLY DRAWING
SCALE 1 = 1.5	ASSEMBLY NO.
DRAWN PCF	DRAWING NO.
DATE 11-9-12	CHK: C-35123