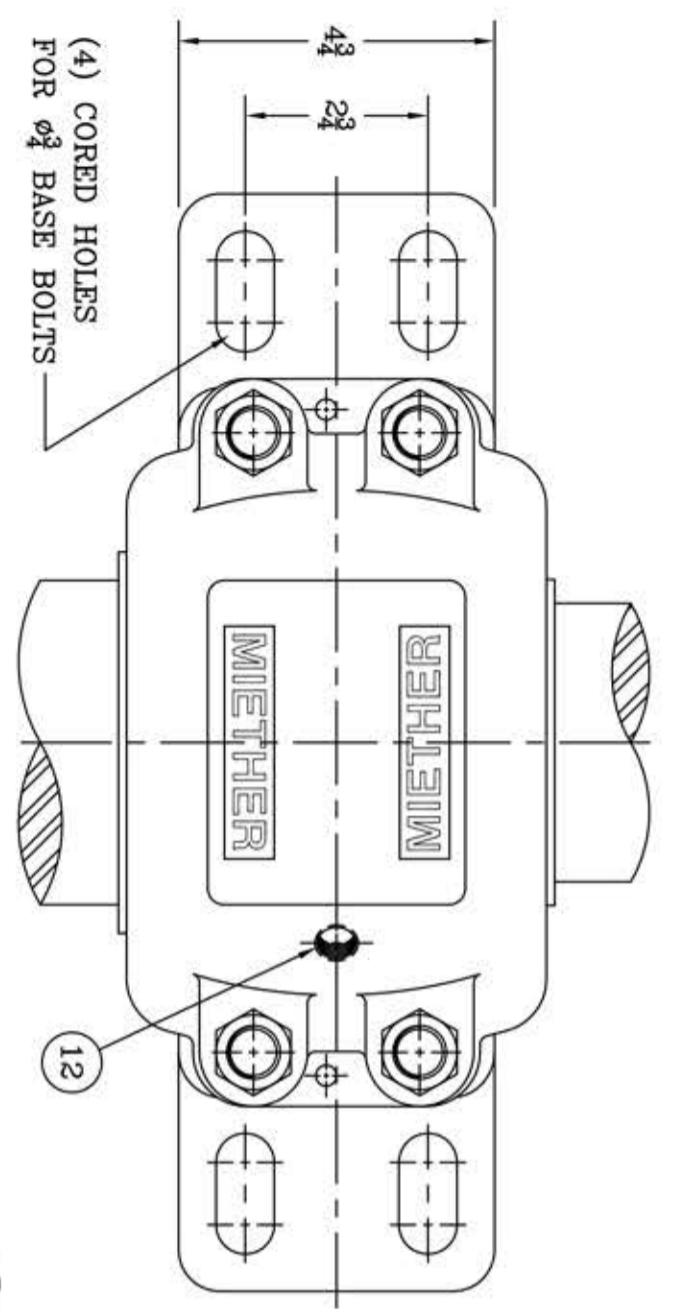
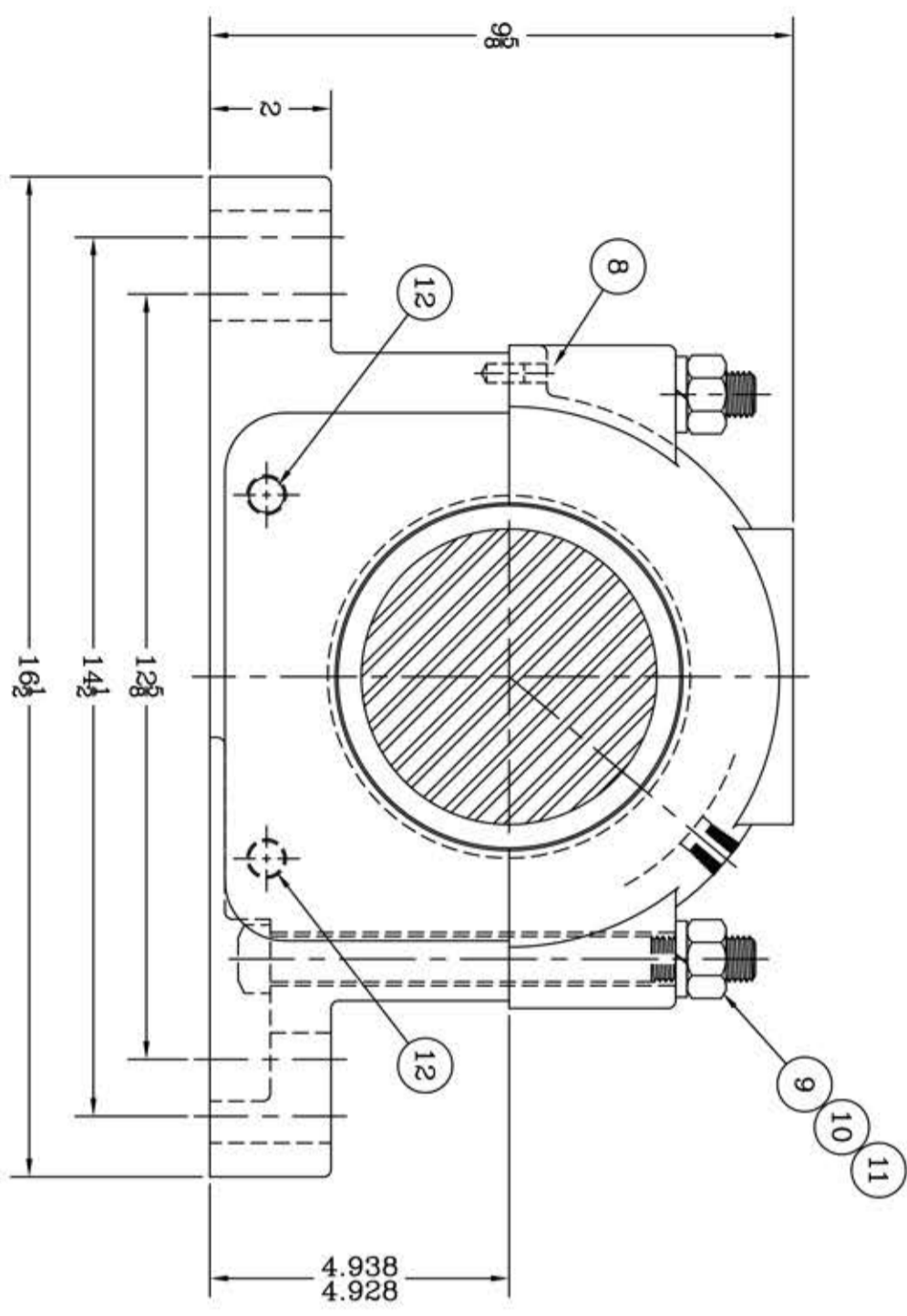


This drawing is the sole property of Miether Bearing Products and contains confidential and proprietary information. It is being provided to you for your use and may not be disclosed to any third party or used for any other purpose without Miether's prior written consent. The [materials] must be returned to the Company upon its demand. Your acceptance of these materials constitutes your acceptance of the foregoing terms.

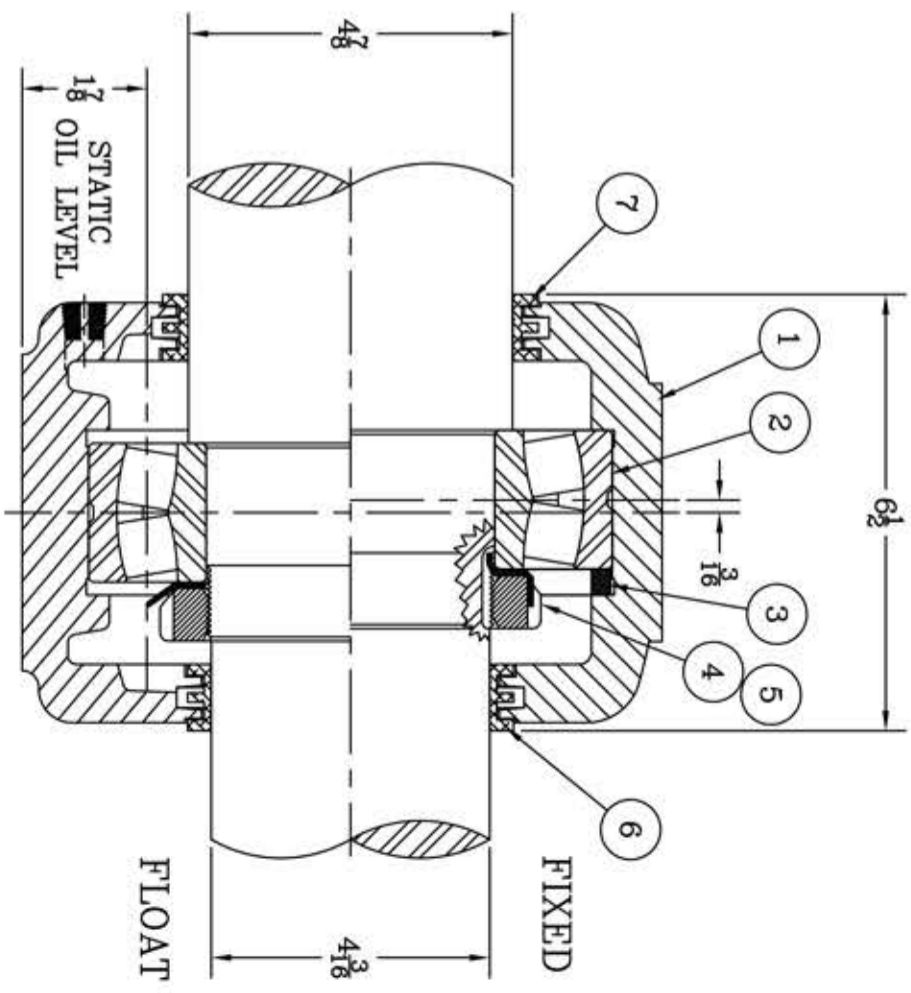
C-35127



(4) CORED HOLES FOR  $\phi 3/8$  BASE BOLTS



ITEM	DESCRIPTION	DETAIL	REQUIRED
1	HOUSING SAFD 222	C-	1 1
2	SPHERICAL ROLLER BEARING	22222/W-33	1 1
3	STABILIZING RING	SR-22-19 A-10603	1 0
4	LOCKNUT	AN-22 B-10415	1 1
5	LOCKWASHER	W-22 A-18924	1 1
6	TRIPLE SEAL RING	LER-113 A-10579	1 1
7	TRIPLE SEAL RING	LER-121 A-10594	1 1
8	DOWEL	$\phi 1/8$ x $3/8$ LONG	2 2
9	CAP BOLT SQUARE HEAD GR 5	$3/10$ NC x 8" LONG	4 4
10	CAP BOLT HEX. NUT	$3/10$ NC	4 4
11	LOCKWASHER	$3/4$ SPLIT MED.	4 4
12	PIPE PLUG	$3/8$ -18 NPT	3 3



REVISIONS

SYMBOL	DESCRIPTION
V	...
D	...
E	...
F	...
G	...
J	...
K	...

TOLERANCE: UNLESS OTHERWISE SPECIFIED  
 FRACTIONS  $\pm 1/32$ " ANGLES  $\pm 0^\circ 30'$   
 DECIMALS  $\pm .005$ " WELD  $\pm 1/16$ "  
 CASTING  $\pm 1/16$ "

A.I.S.I. STANDARD FINISHES

MICRO-INCH VALUE	FINISH SYMBOL
16	V
32	D
63	E
125	F
250	G
500	J
1000	K

AN ALCO INDUSTRIES COMPANY  
BEARING PRODUCTS  
ODESSA, TX. USA

SAFD 22222 04-14 x 04-03  
ASSEMBLY DRAWING

SCALE HALF  
DRAWN PCF  
DATE 11/9/12  
CHK:

ASSEMBLY NO.  
DRAWING NO.  
C-35127