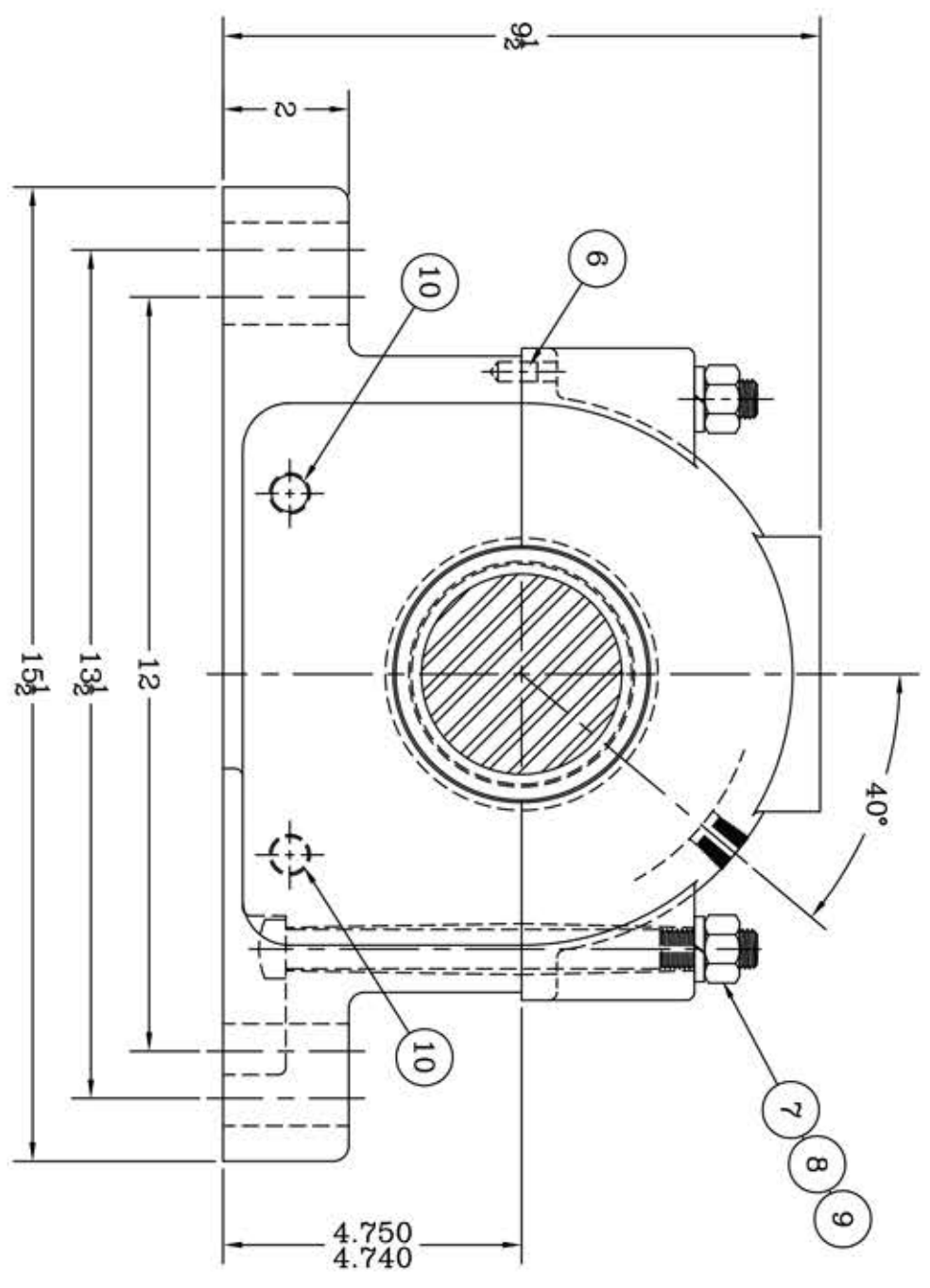
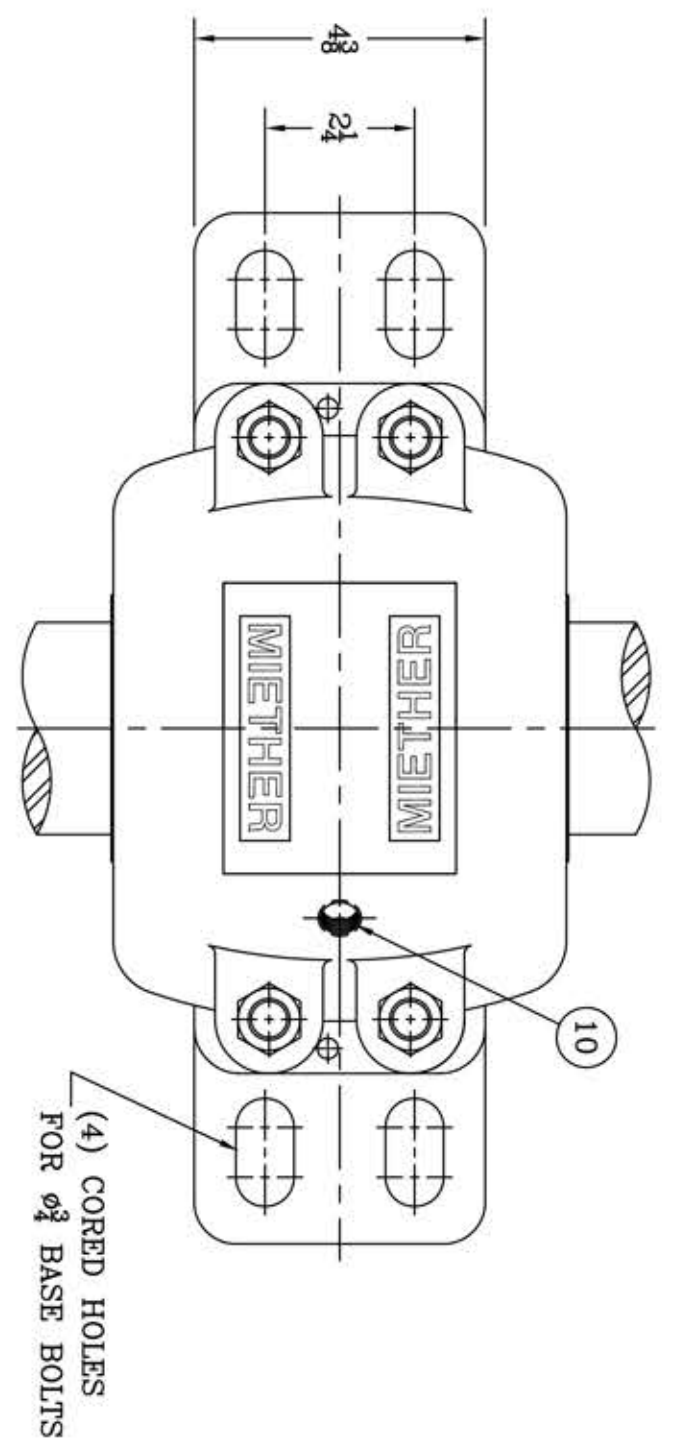
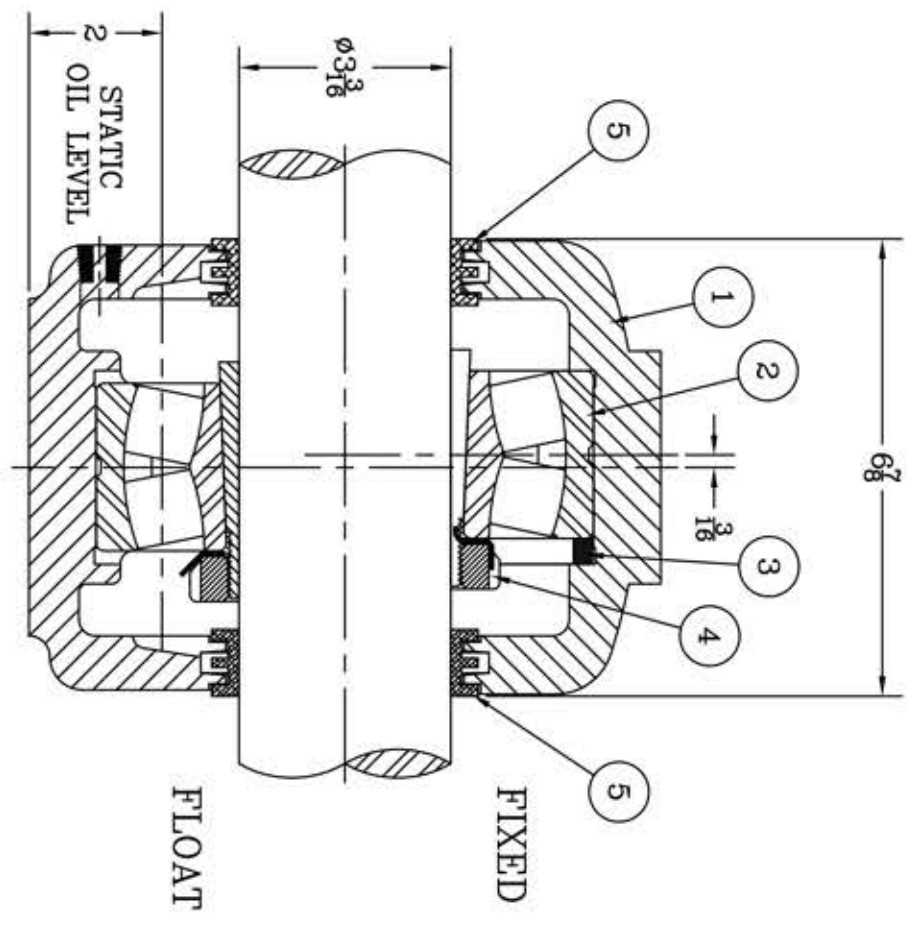


This drawing is the sole property of Miether Bearing Products and contains confidential and proprietary information. It is being provided to you for your use and may not be disclosed to any third party or used for any other purpose without Miether's prior written consent. The [materials] must be returned to the Company upon its demand. Your acceptance of these materials constitutes your acceptance of the foregoing terms.

C-35211



ITEM	DESCRIPTION	DETAIL	REQUIRED
1	HOUSING SAFD 618 03-03	C-	1 1
2	SPHERICAL ROLLER BEARING	22318K/W-33	1 1
3	STABILIZING RING SR-21-18	A-11792	1 0
4	ADAPTER SNW-18 03-03	24381	1 1
5	TRIPLE SEAL RING LER-188	A-11797	2 2
6	DOWEL	$\phi 5/8$ x $3/8$ LONG	2 2
7	CAP BOLT SQUARE HEAD GR.5	$3/8$ -11 NC x $7/8$ LONG	4 4
8	CAP BOLT HEX. NUT	$3/8$ -11 NC	4 4
9	LOCKWASHER	$3/8$ SPLIT MED.	4 4
10	PIPE PLUG	$3/8$ -18 NPT	3 3



REVISIONS	
SYMBOL	DESCRIPTION
16	16
32	32
63	63
125	125
250	250
500	500
1000	1000

TOLERANCE: UNLESS OTHERWISE SPECIFIED
 FRACTIONS $\pm 1/32$ " ANGLES $\pm 0^\circ 30'$
 DECIMALS $\pm .005$ WELD $\pm 1/16$ "
 CASTING $\pm 1/16$ "
 A.I.S.I. STANDARD FINISHES

SAFSD 22618 03-03
 ASSEMBLY DRAWING
 SCALE HALF
 DRAWN PCF
 DATE 1/2/13
 CHK:
 AN ALCO INDUSTRIES COMPANY
 BEARING PRODUCTS
 ODESSA, TX. USA
 ASSEMBLY NO.
 DRAWING NO.
 C-35211