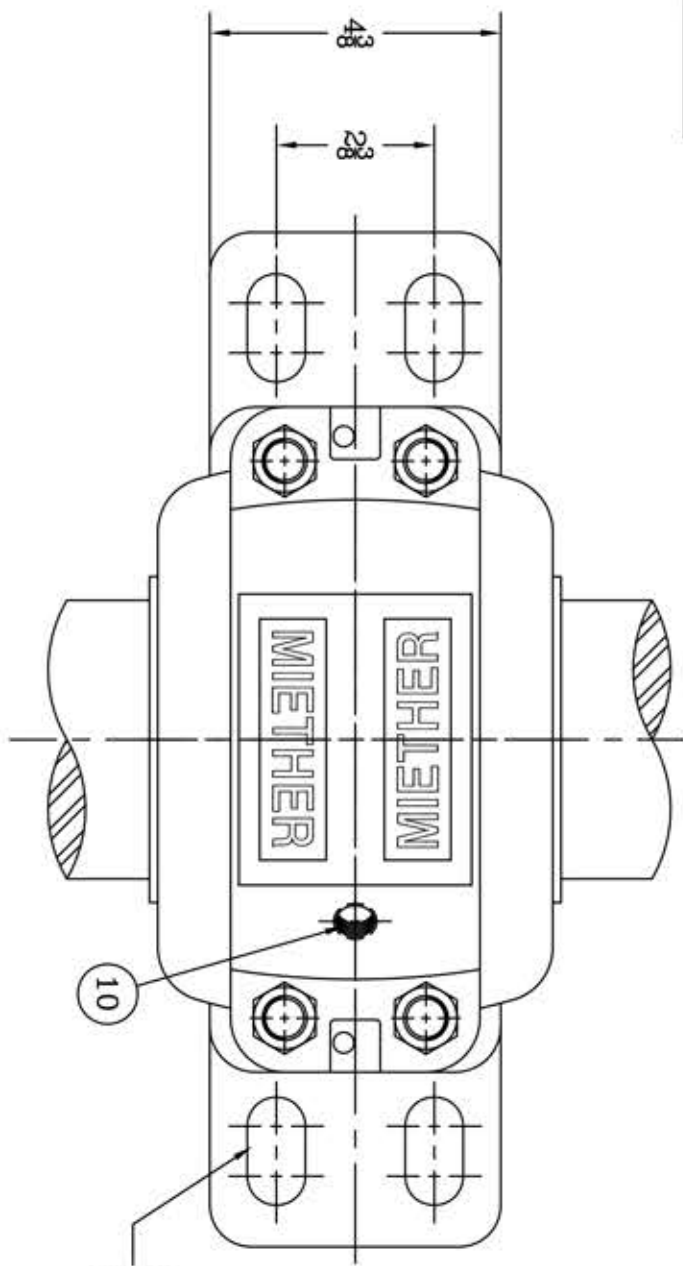


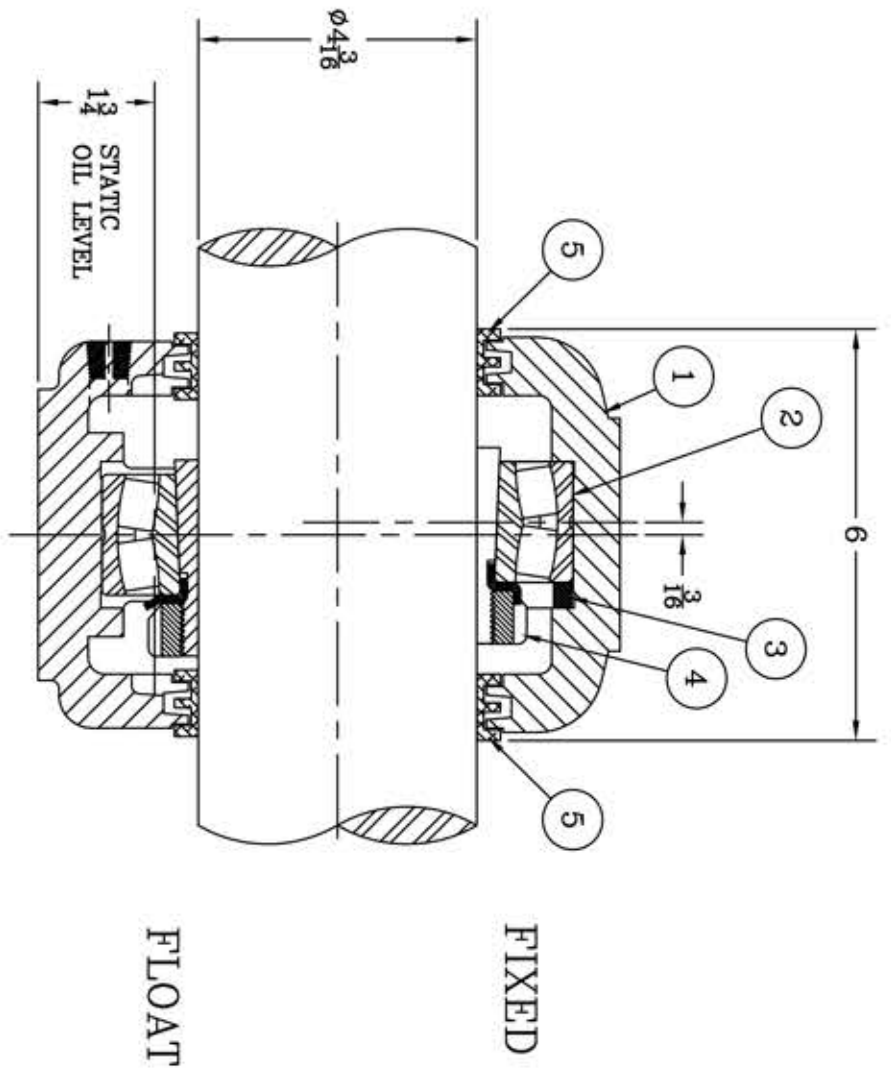
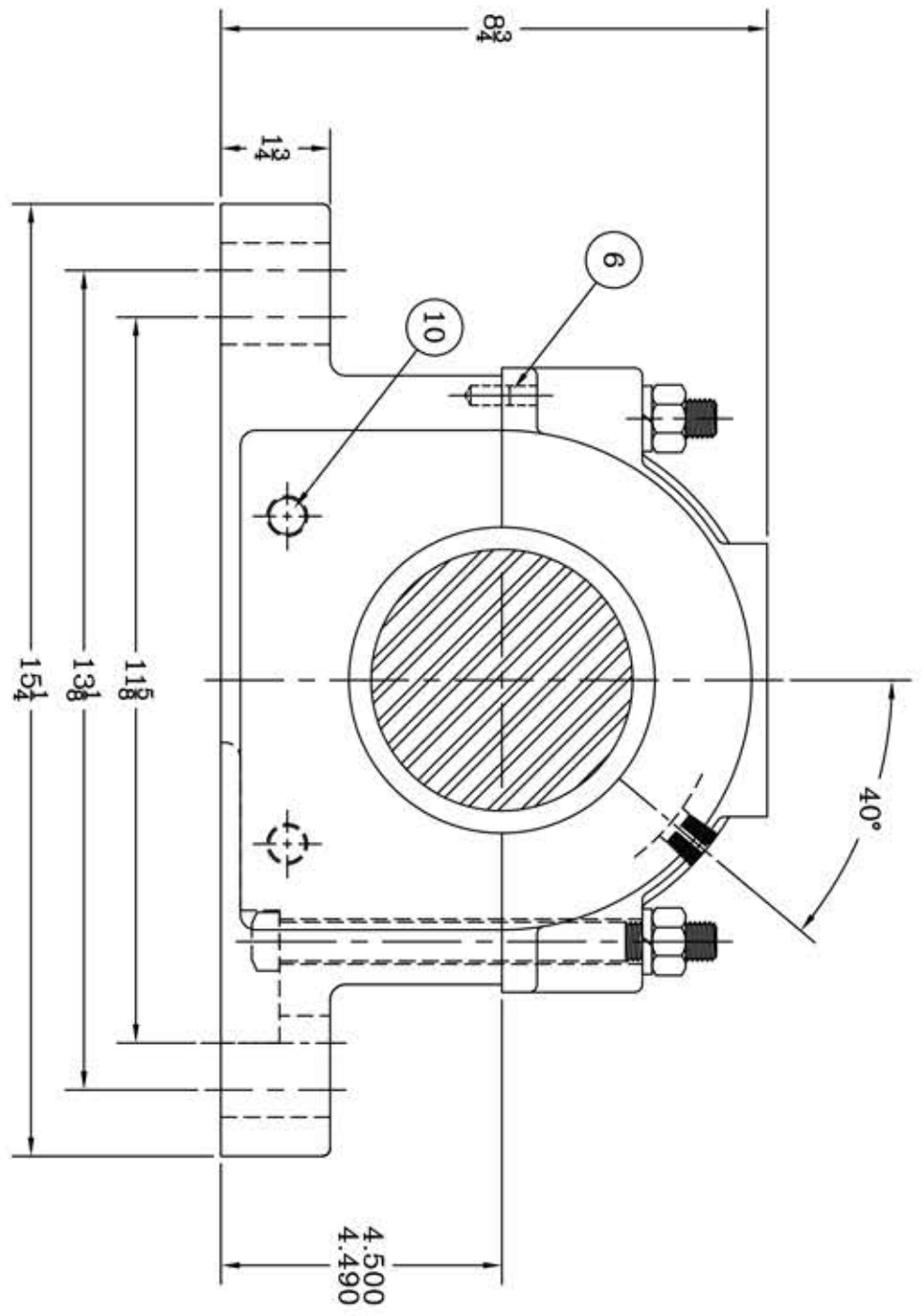
This drawing is the sole property of Miether Bearing Products and contains confidential and proprietary information. It is being provided to you for your use and may not be disclosed to any third party or used for any other purpose without Miether's prior written consent. The [materials] must be returned to the Company upon its demand. Your acceptance of these materials constitutes your acceptance of the foregoing terms.

C-35240



(4) CORED HOLES
FOR 3/8" Ø BASE BOLTS

| ITEM | DESCRIPTION | DETAIL | REQUIRED |
|------|---------------------------|---------------------|----------|
| 1 | HOUSING SAFD 024 | C- | 1 1 |
| 2 | SPHERICAL ROLLER BEARING | 23024K/W-33 | 1 1 |
| 3 | STABILIZING RING SR-20-17 | A-10602 | 1 0 |
| 4 | ADAPTER SNW-3024 04-03 | 24976 | 1 1 |
| 5 | TRIPLE SEAL RING LER-113 | A-10579 | 2 2 |
| 6 | DOWEL | Ø 5/8 x 3/8 LONG | 2 2 |
| 7 | CAP BOLT SQUARE HEAD GR.5 | 3/8-11 NC x 7" LONG | 4 4 |
| 8 | CAP BOLT HEX. NUT | 3/8-11 NC | 4 4 |
| 9 | LOCKWASHER | 3/8 SPLIT MED. | 4 4 |
| 10 | PIPE PLUG | 3/8-18 NPT | 3 3 |



REVISIONS

| SYMBOL | DESCRIPTION |
|--------|-------------|
| C | 16 |
| D | 32 |
| E | 63 |
| F | 125 |
| G | 250 |
| J | 500 |
| K | 1000 |

TOLERANCE: UNLESS OTHERWISE SPECIFIED
 FRACTIONS $\pm 1/32"$
 DECIMALS $\pm .005"$
 CASTING $\pm 1/16"$
 ANGLES $\pm 0^\circ 30'$
 WELD $\pm 1/16"$
 A.S.I. STANDARD FINISHES

AN ALCO INDUSTRIES COMPANY
 BEARING PRODUCTS
 ODESSA, TX. USA

SAFD 23024 K 04-03
 ASSEMBLY DRAWING

SCALE HALF
 DRAWN PCF
 DATE 1/4/13
 CHK:

ASSEMBLY NO.
 DRAWING NO.
 C-35240