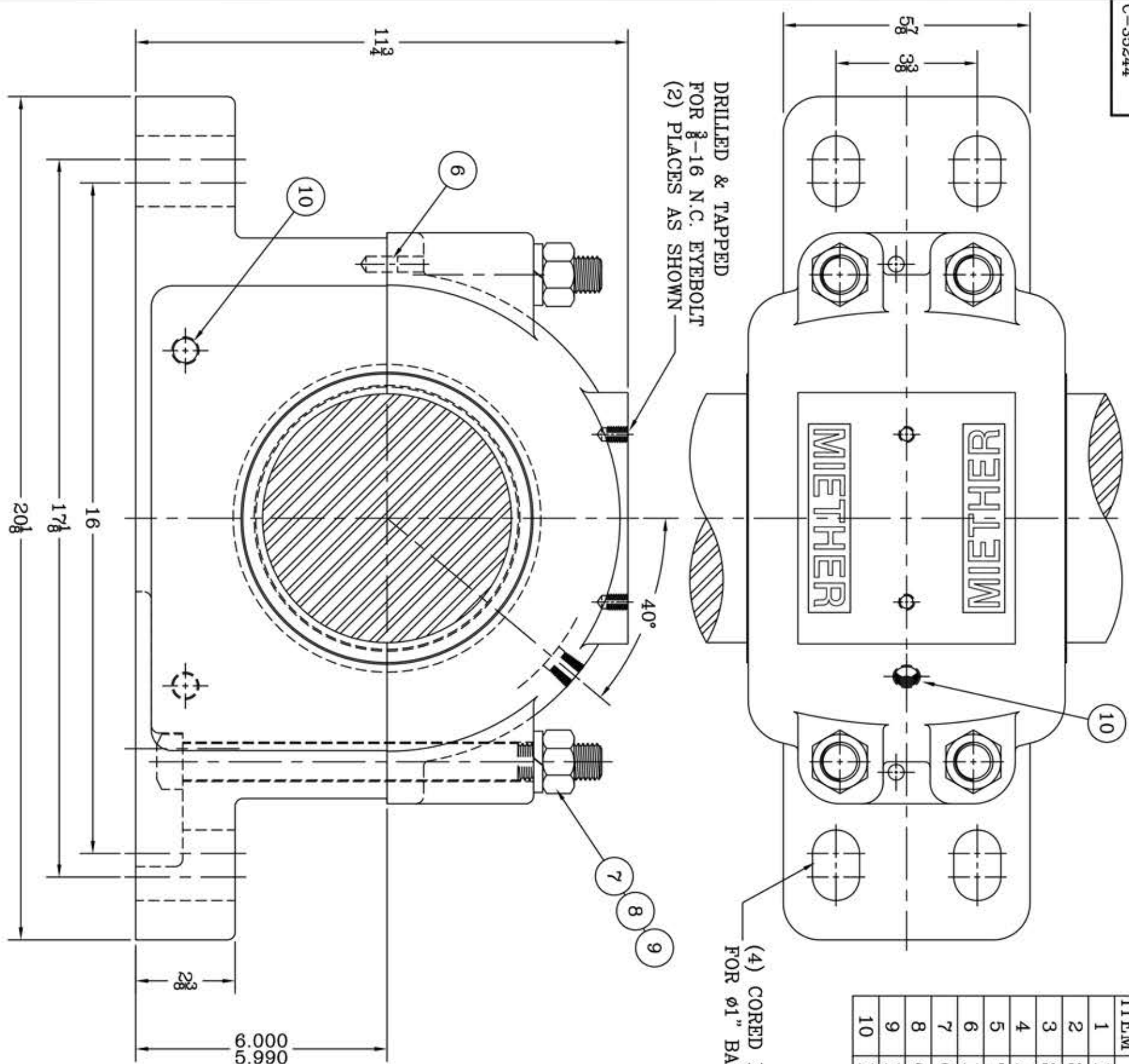
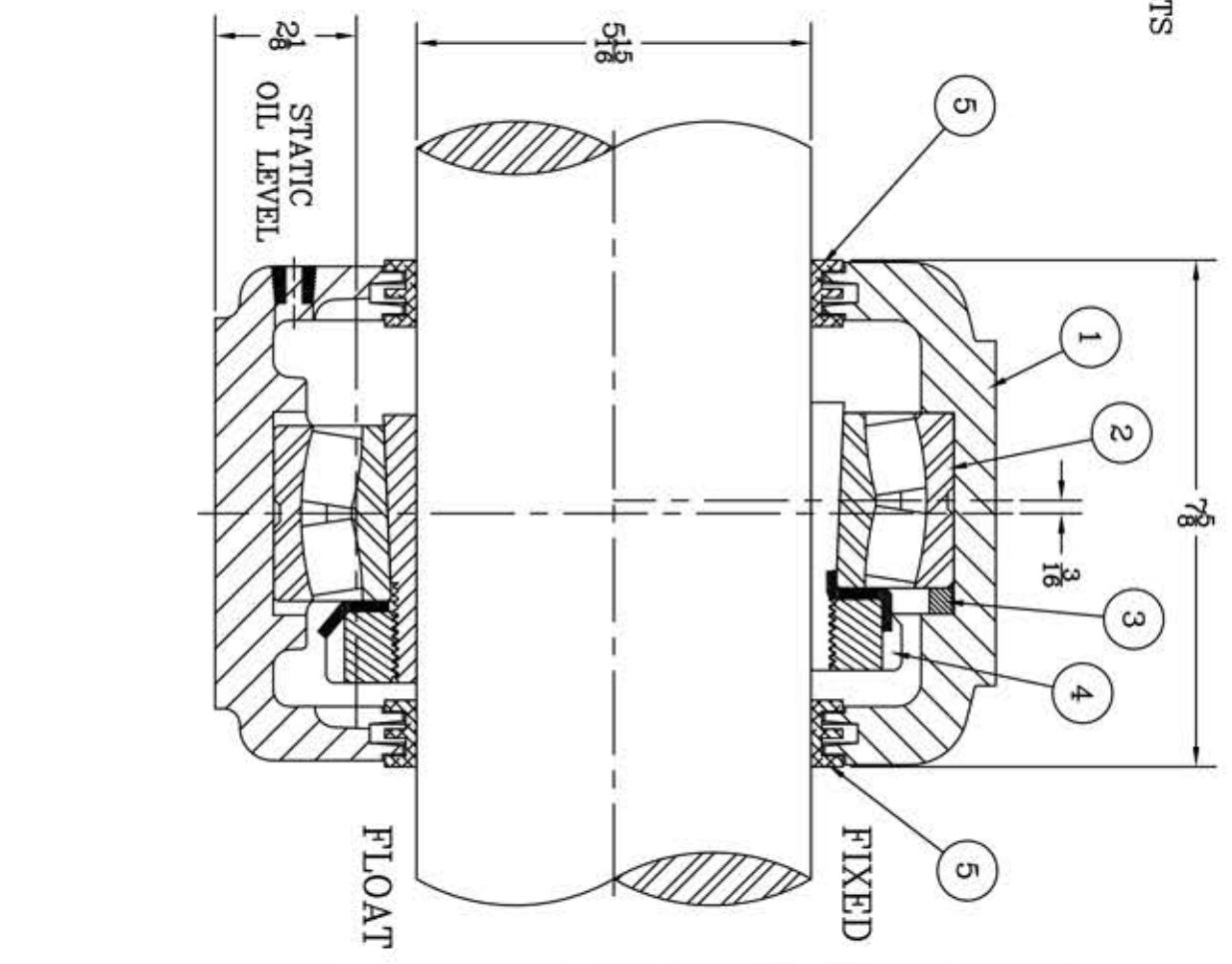


This drawing is the sole property of Miether Bearing Products and contains confidential and proprietary information. It is being provided to you for your use and may not be disclosed to any third party or used for any other purpose without Miether's prior written consent. The [materials] must be returned to the Company upon its demand. Your acceptance of these materials constitutes your acceptance of the foregoing terms.

C-35244



ITEM	DESCRIPTION	DETAIL	REQUIRED
1	HOUSING SAFD 034 05-15	C-	1 1
2	SPHERICAL ROLLER BEARING	23034K/W-33	1 1
3	STABILIZING RING SR-0-24	A-15124	1 0
4	ADAPTER SNW-3034 05-15	24491	1 1
5	TRIPLE SEAL RING LER-140	A-10584	2 2
6	DOWEL	Ø8 x 3/4 LONG	2 2
7	CAP BOLT SQUARE HEAD GR .5	7-9 NC x 10" LONG	4 4
8	CAP BOLT HEX. NUT	7-9 NC	4 4
9	LOCKWASHER	7 SPLIT MED.	4 4
10	PIPE PLUG	3-18 NPT	3 3



REVISIONS

SYMBOL	DATE	DESCRIPTION
C	16	
D	32	
E	63	
F	125	
G	250	
J	500	
K	1000	

TOLERANCE: UNLESS OTHERWISE SPECIFIED
 FRACTIONS +- 1/32"
 DECIMALS +- .005"
 CASTING +- 1/16"
 WELD +- 1/16"
 ANGLES +- 0°-30°

A.S.I. STANDARD FINISHES

AN ALCO INDUSTRIES COMPANY
 BEARING PRODUCTS
 ODESSA, TX. USA

SAFD 23034 K 05-15
 ASSEMBLY DRAWING

SCALE HALF
 DRAWN PCF
 DATE 1/4/13
 CHECK:

ASSEMBLY NO.
 DRAWING NO.
 C-35244