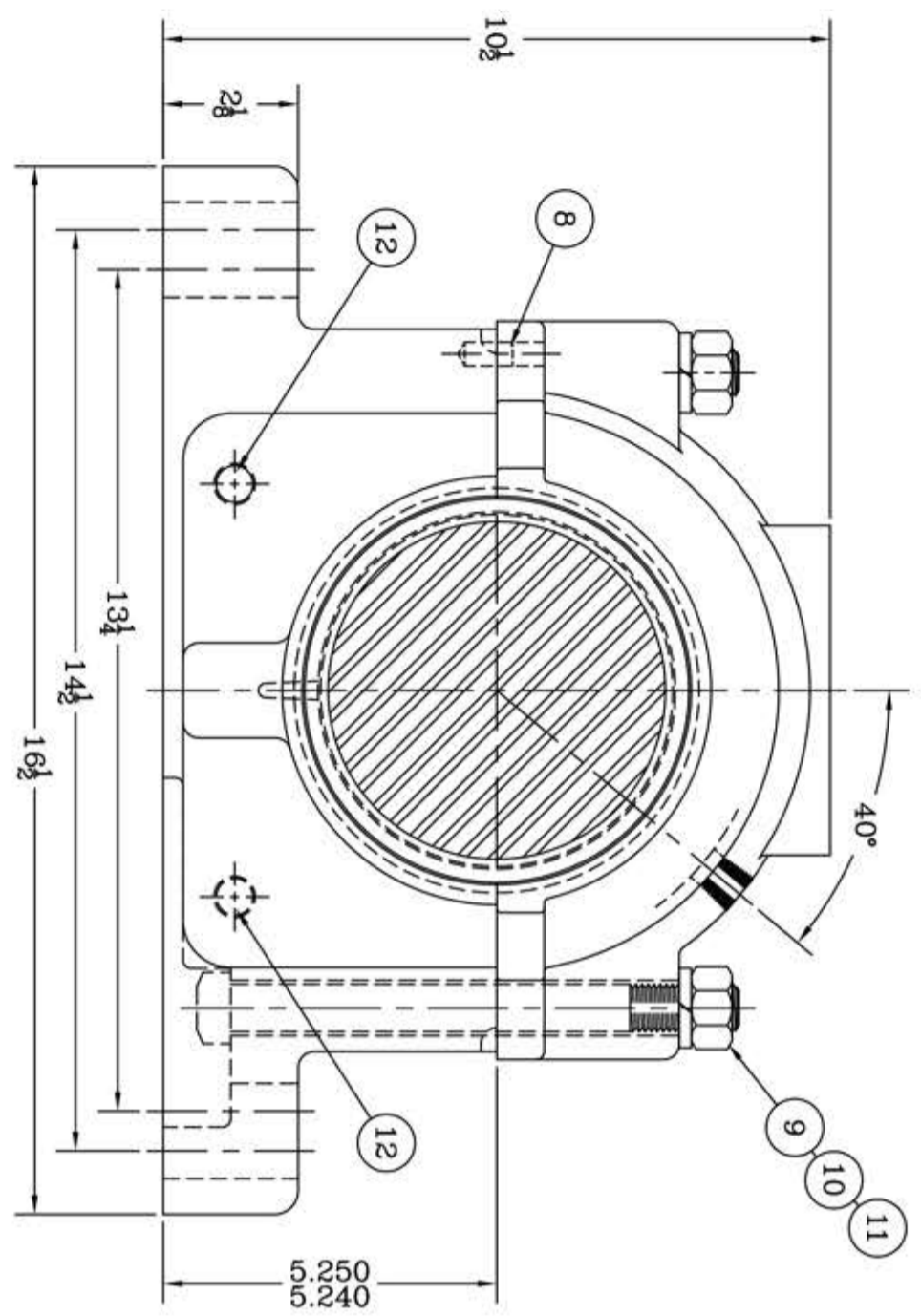
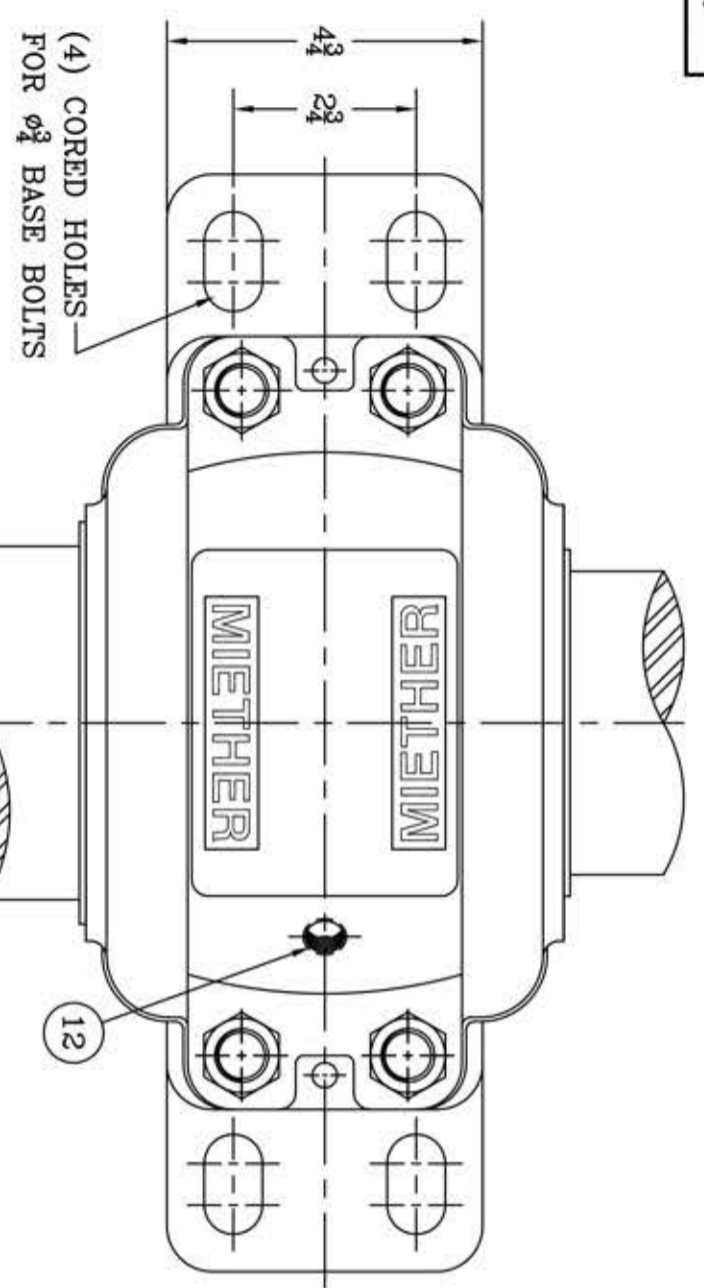
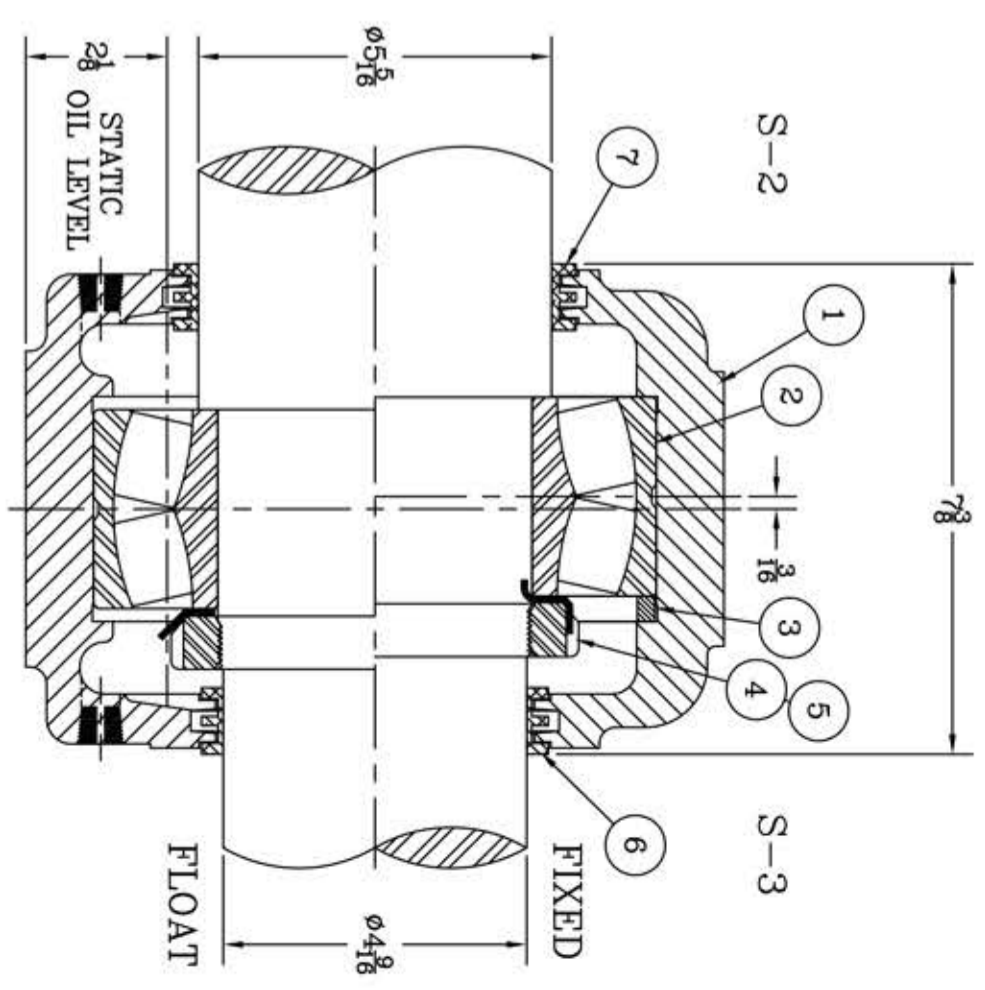


This drawing is the sole property of Miether Bearing Products and contains confidential and proprietary information. It is being provided to you for your use and may not be disclosed to any third party or used for any other purpose without Miether's prior written consent. The [materials] must be returned to the Company upon its demand. Your acceptance of these materials constitutes your acceptance of the foregoing terms.

C-21590



| ITEM | DESCRIPTION               | DETAIL              | REQUIRED |
|------|---------------------------|---------------------|----------|
| 1    | HOUSING SAW 224           | C-21591             | 1 1      |
| 2    | SPHERICAL ROLLER BEARING  | 23224/W-33          | 1 1      |
| 3    | STABILIZING RING SR-24-20 | A-10604             | 1 0      |
| 4    | LOCKNUT AN-24             | B-10416             | 1 1      |
| 5    | LOCKWASHER W-24           | ~~~~~               | 1 1      |
| 6    | TRIPLE SEAL RING LER-119  | A-10625             | 1 1      |
| 7    | TRIPLE SEAL RING LER-127  | A-10626             | 1 1      |
| 8    | DOWEL                     | Ø 3/8 x 3/4 LONG    | 2 2      |
| 9    | CAP BOLT SQUARE HEAD      | 3/4-10 NC x 8" LONG | 4 4      |
| 10   | CAP BOLT HEX. NUT         | 3/4-10 NC           | 4 4      |
| 11   | LOCKWASHER                | 3/4 SPLIT MED.      | 4 4      |
| 12   | PIPE PLUG                 | 3/8-18 NPT          | 3 3      |



REDRAWN ON COMPUTER  
AR per KAB  
12-5-05

REVISIONS

| SYMBOL | DESCRIPTION |
|--------|-------------|
| C      | REVISIONS   |
| D      | REVISIONS   |
| E      | REVISIONS   |
| F      | REVISIONS   |
| G      | REVISIONS   |
| J      | REVISIONS   |
| K      | REVISIONS   |

TOLERANCE: UNLESS OTHERWISE SPECIFIED  
FRACTIONS  $\pm 1/32$ "  
DECIMALS  $\pm .005$ "  
CASTING  $\pm 1/16$ "  
WELD  $\pm 1/16$ "  
ANGLES  $\pm 0^\circ 30'$   
A.I.S.I. STANDARD FINISHES

AN ALCO INDUSTRIES COMPANY  
BEARING PRODUCTS  
ODDESSA, TX. USA

SAW 23224 05-05 x 04-09  
ASSEMBLY DRAWING  
SCALE HALF  
DRAWN OMI  
DATE 9/21/92  
CHK:  
ASSEMBLY NO.  
DRAWING NO.  
C-21590