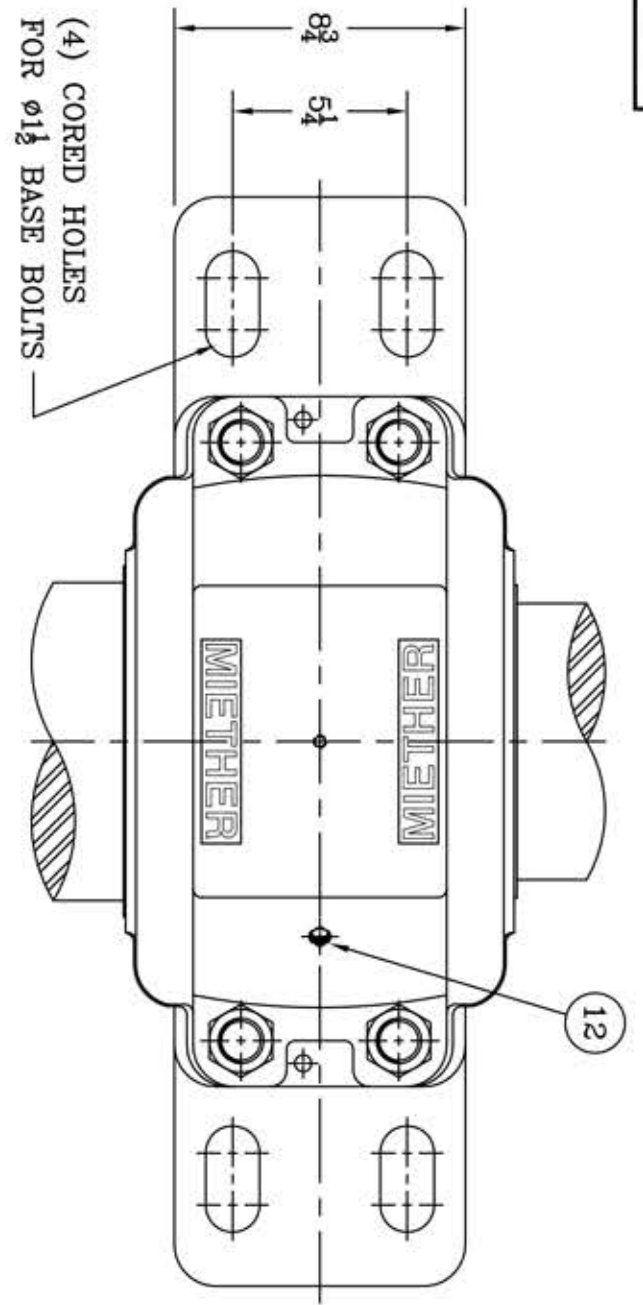
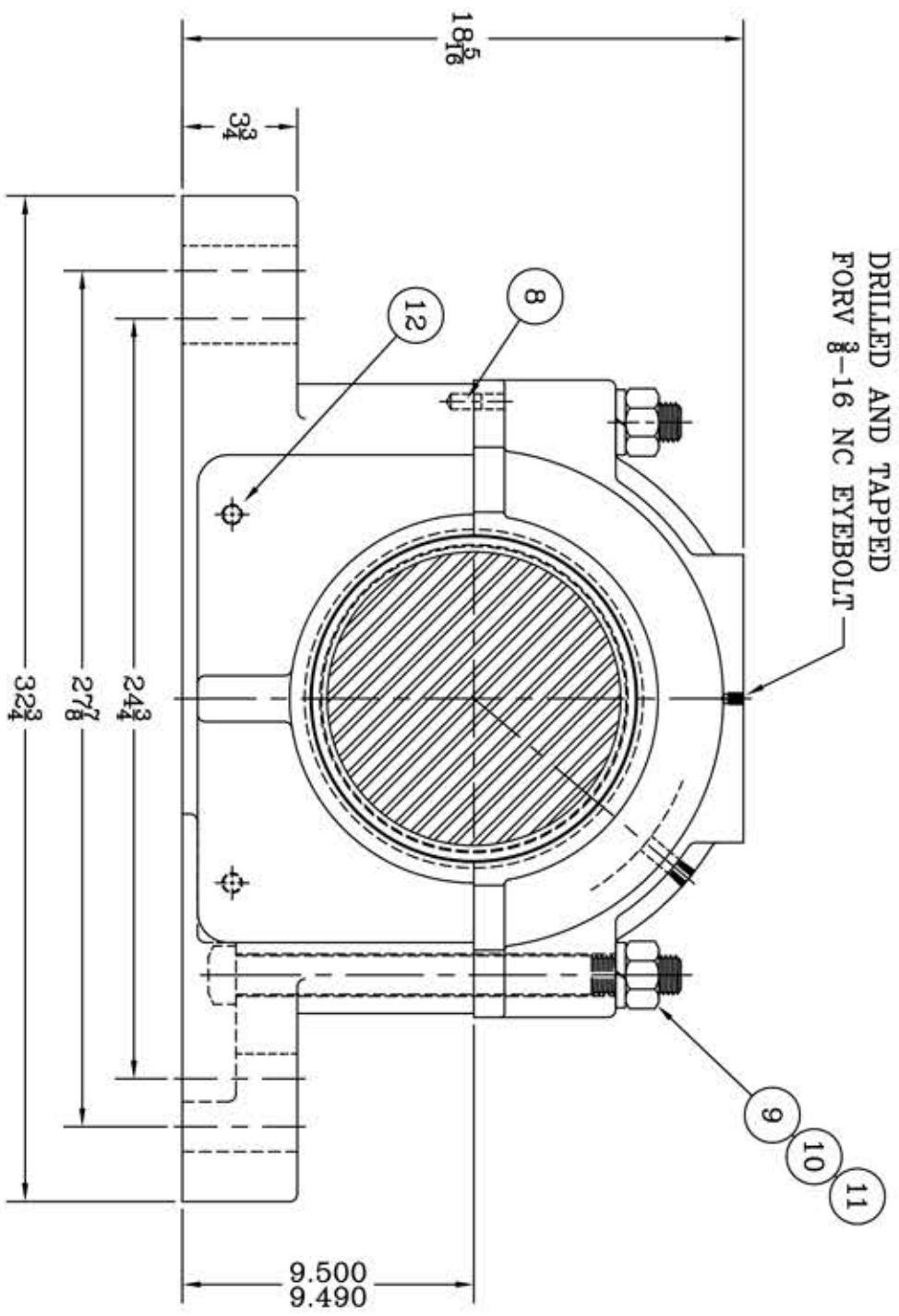


This drawing is the sole property of Miether Bearing Products and contains confidential and proprietary information. It is being provided to you for your use and may not be disclosed to any third party or used for any other purpose without Miether's prior written consent. The [materials] must be returned to the Company upon its demand. Your acceptance of these materials constitutes your acceptance of the foregoing terms.

C-32570

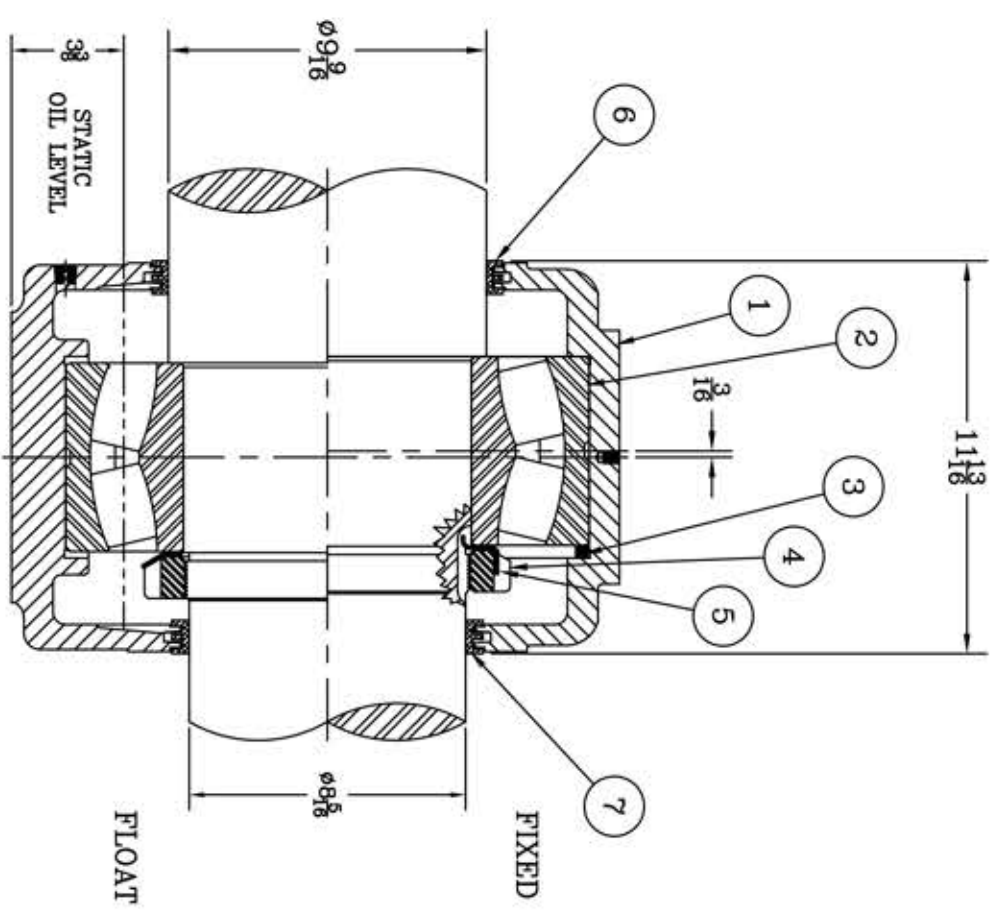


(4) CORED HOLES FOR  $\phi 1 \frac{1}{2}$  BASE BOLTS



DRILLED AND TAPPED FOR  $\frac{3}{8}$ -16 NC EYEBOLT

ITEM	DESCRIPTION	DETAIL	REQUIRED
1	HOUSING SAW 244	C-27573	1 1
2	SPHERICAL ROLLER BEARING	23244/W-33	1 1
3	STABILIZING RING SR 44-38	A-10612	1 0
4	LOCKNUT N-44	B-10425	1 1
5	LOCKWASHER W-44	00255	1 1
6	TRIPLE SEAL RING LER-179 A	A-10678	1 1
7	TRIPLE SEAL RING LER-170 A	A-10676	1 1
8	DOWEL $\phi 2 \times 1$ " LONG		2 2
9	CAP BOLT SQUARE HEAD $1 \frac{1}{4}$ -7 NC x $1 \frac{1}{4}$ " LONG		4 4
10	CAP BOLT HEX. NUT $1 \frac{1}{4}$ -7 NC		4 4
11	LOCKWASHER $1 \frac{1}{4}$ SPLIT MED.		4 4
12	PIPE PLUG $\frac{3}{8}$ -18 NPT		3 3



- \*1 TAP FOR TWO THREAD STAND OFF AT FITTING.
- \*2 APPLY ONE DROP OF LOCTITE TO BOTTOM END OF DOWEL TO SECURE IN BASE HOLE.

REVISIONS	
SYMBOL	VALUE
✓	16
∇	32
∇	63
∇	125
∇	250
∇	500
∇	1000

TOLERANCE: UNLESS OTHERWISE SPECIFIED  
 FRACTIONS  $\pm 1/32$ "  
 DECIMALS  $\pm .005$ "  
 CASTING  $\pm 1/16$ "  
 ANGLES  $\pm 0^{\circ} 30'$   
 WELD  $\pm 1/16$ "  
 A.I.S.I. STANDARD FINISHES

SAW 23244 09-09 x 08-05  
 ASSEMBLY DRAWING  
 SCALE 1 = 4  
 DRAWN AR  
 DATE 3/6/06  
 CHK:  
 AN ALCO INDUSTRIES COMPANY  
 BEARING PRODUCTS  
 ODESSA, TX. USA  
 ASSEMBLY NO.  
 DRAWING NO.  
 C-32570