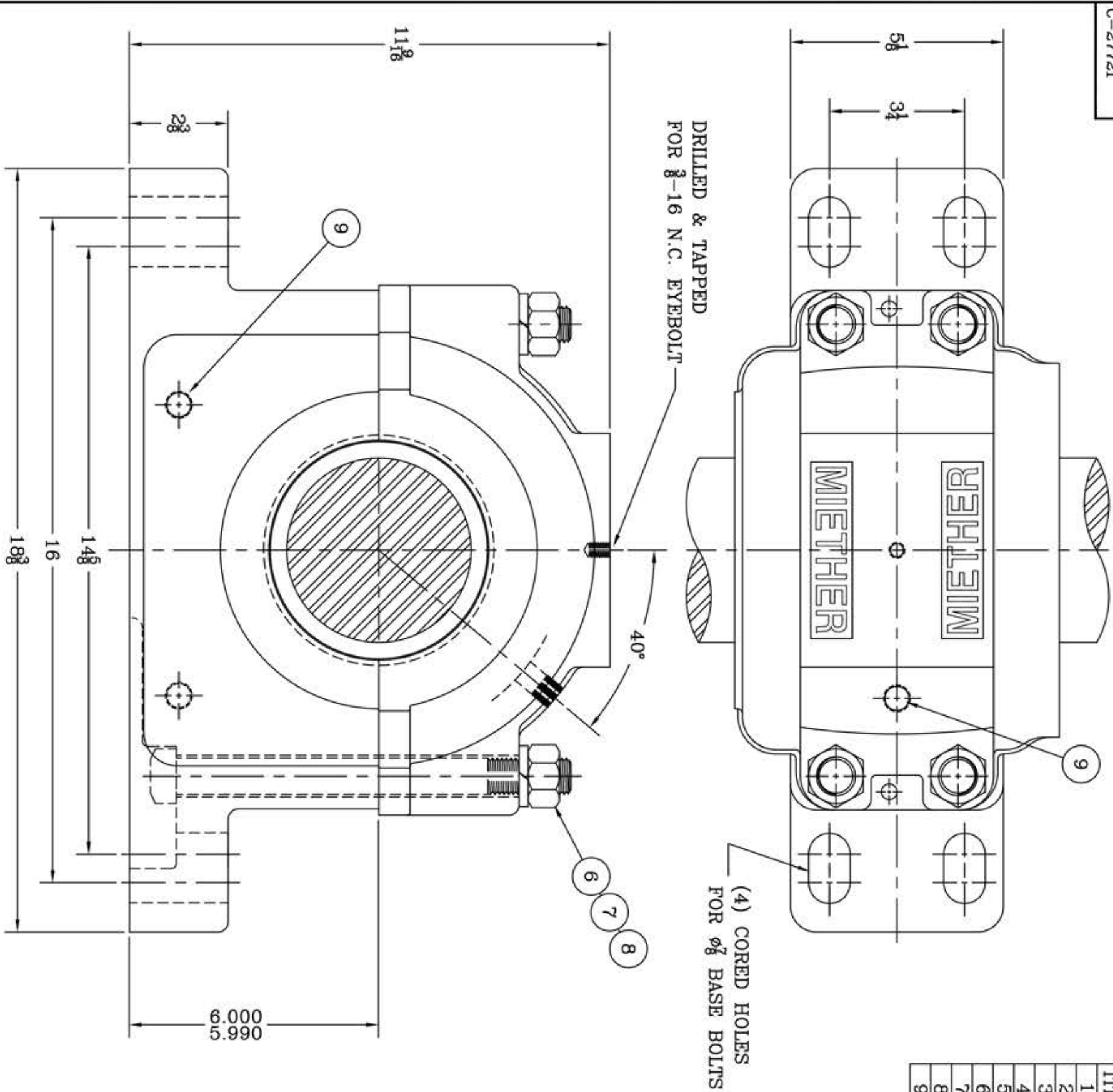
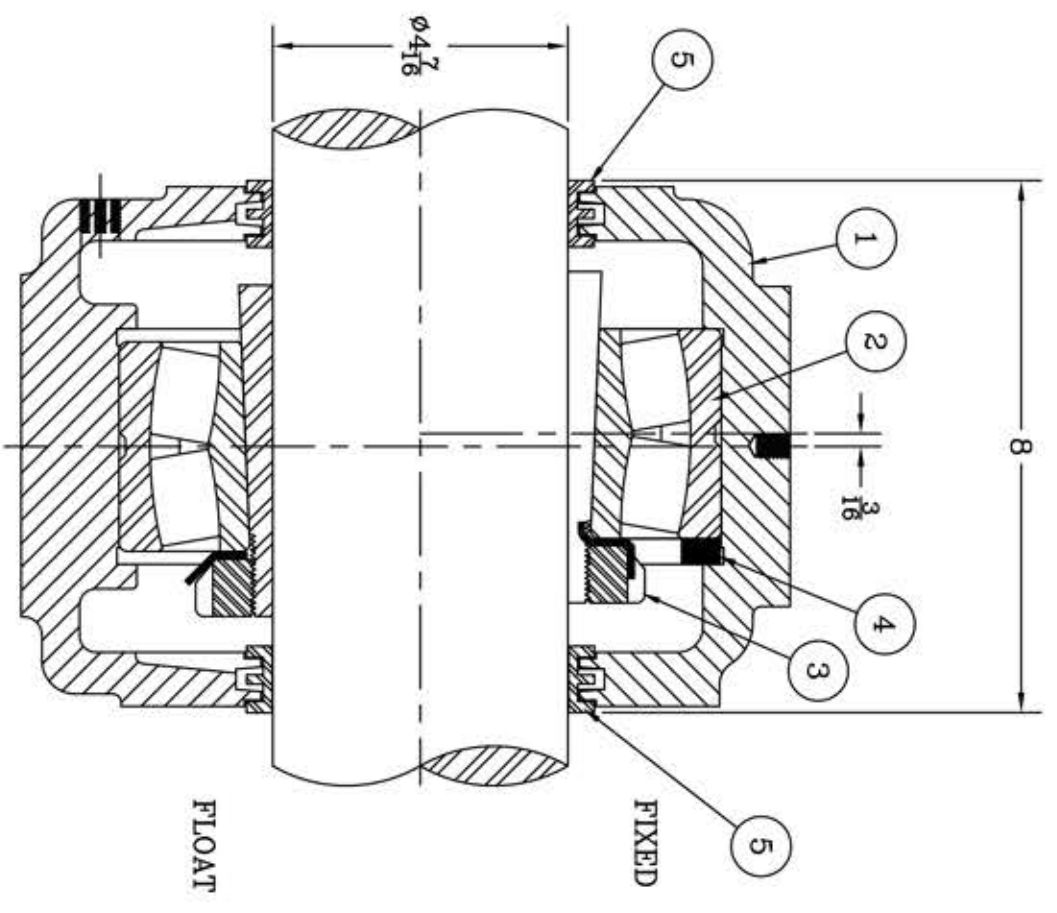


This drawing is the sole property of Miether Bearing Products and contains confidential and proprietary information. It is being provided to you for your use and may not be disclosed to any third party or used for any other purpose without Miether's prior written consent. The [materials] must be returned to the Company upon its demand. Your acceptance of these materials constitutes your acceptance of the foregoing terms.

C-27721



ITEM	DESCRIPTION	DETAIL	QTY.
1	HOUSING SAW 526 04-07	C-19481	1
2	SPHERICAL ROLLER BRG.	23226-K	1
3	ADAPTER SNW 126 04-07	B-24391	1
4	STAB RING SR-26-0	A-10605	1
5	TRIPLE SEAL RING LER-117	A-10497	2
6	CAP BOLT SQ. HEAD	3/8-9 N.C. x 9 1/2 LONG	4
7	CAP BOLT NUT HEX. REG.	3/8-9 N.C.	4
8	CAP BOLT LOCKWASHER	3/8 SPLIT (MED.)	4
9	PIPE PLUG SOCKET HEAD	3/8-18 N.P.T.	3



REDRAWN FOR CONFORMITY per JLL by RWB 3-19-01

REVISIONS

SYMBOL	DESCRIPTION
✓	16
✓	32
✓	63
✓	125
✓	250
✓	500
✓	1000

TOLERANCE: UNLESS OTHERWISE SPECIFIED

FRACTIONS	DECIMALS	CASTING	ANGLES	WELD
$\pm 1/32"$	$\pm .005"$	$\pm 1/16"$	$\pm 0^\circ 30'$	$\pm 1/16"$

A.I.S.I. STANDARD FINISHES

SAW 23526 04-07	ASSEMBLY DRAWING
SCALE HALF	ASSEMBLY NO.
DRAWN PCF	DRAWING NO.
DATE 1/20/97	CHK: C-27721

AN ALCO INDUSTRIES COMPANY
BEARING PRODUCTS
ODESSA, TX. USA