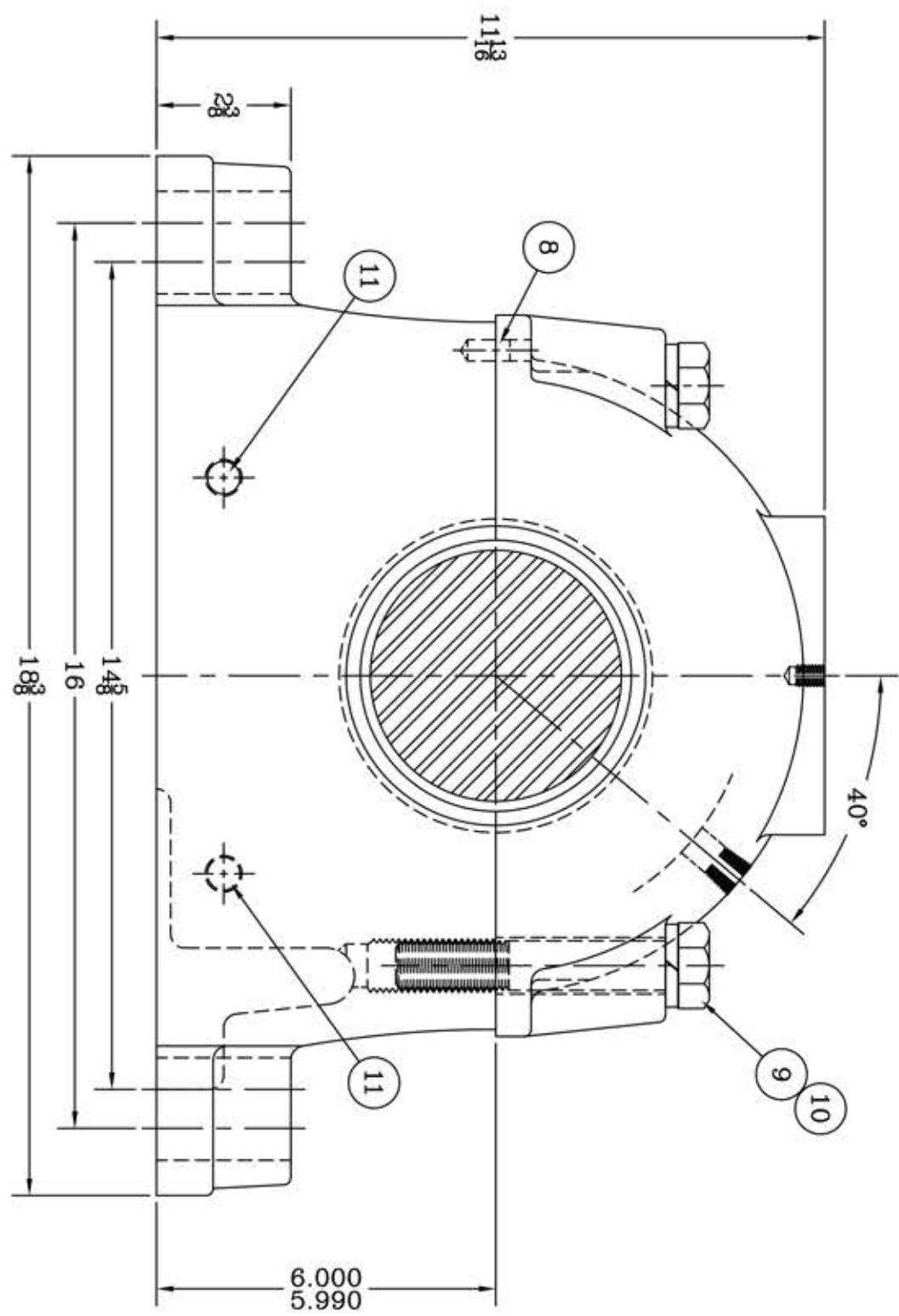
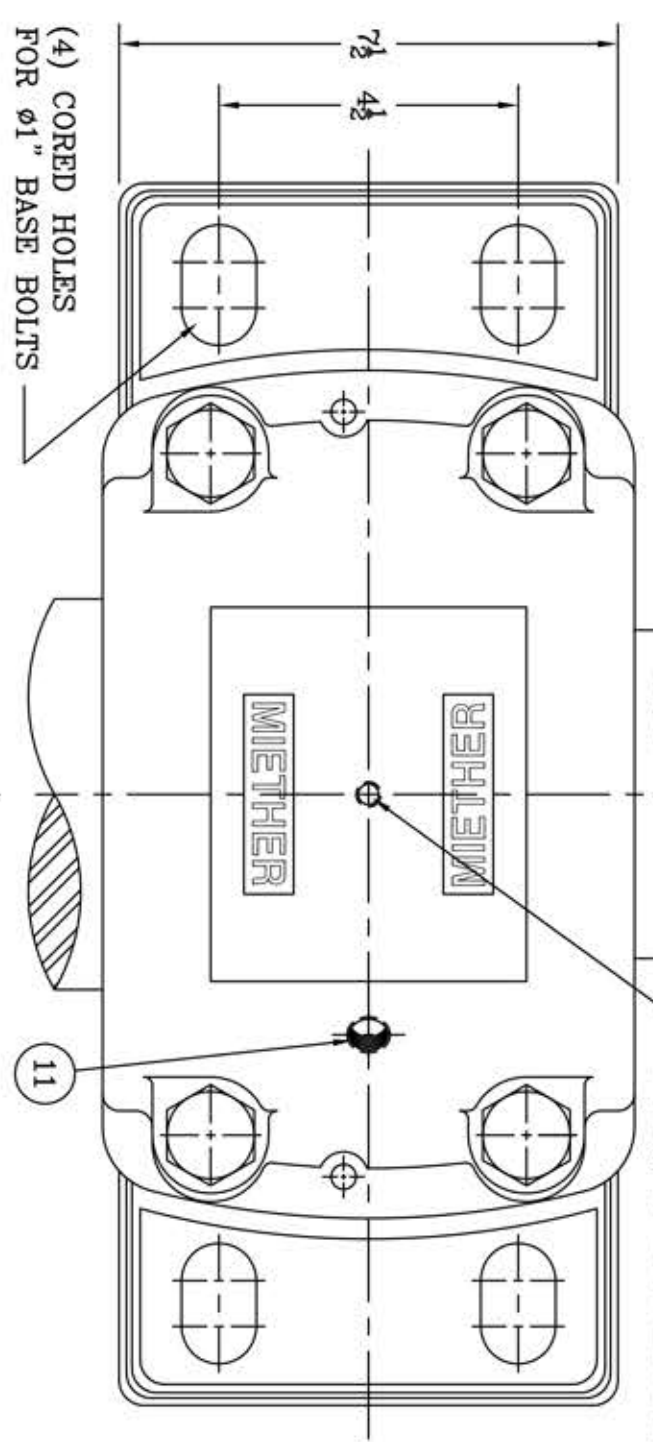


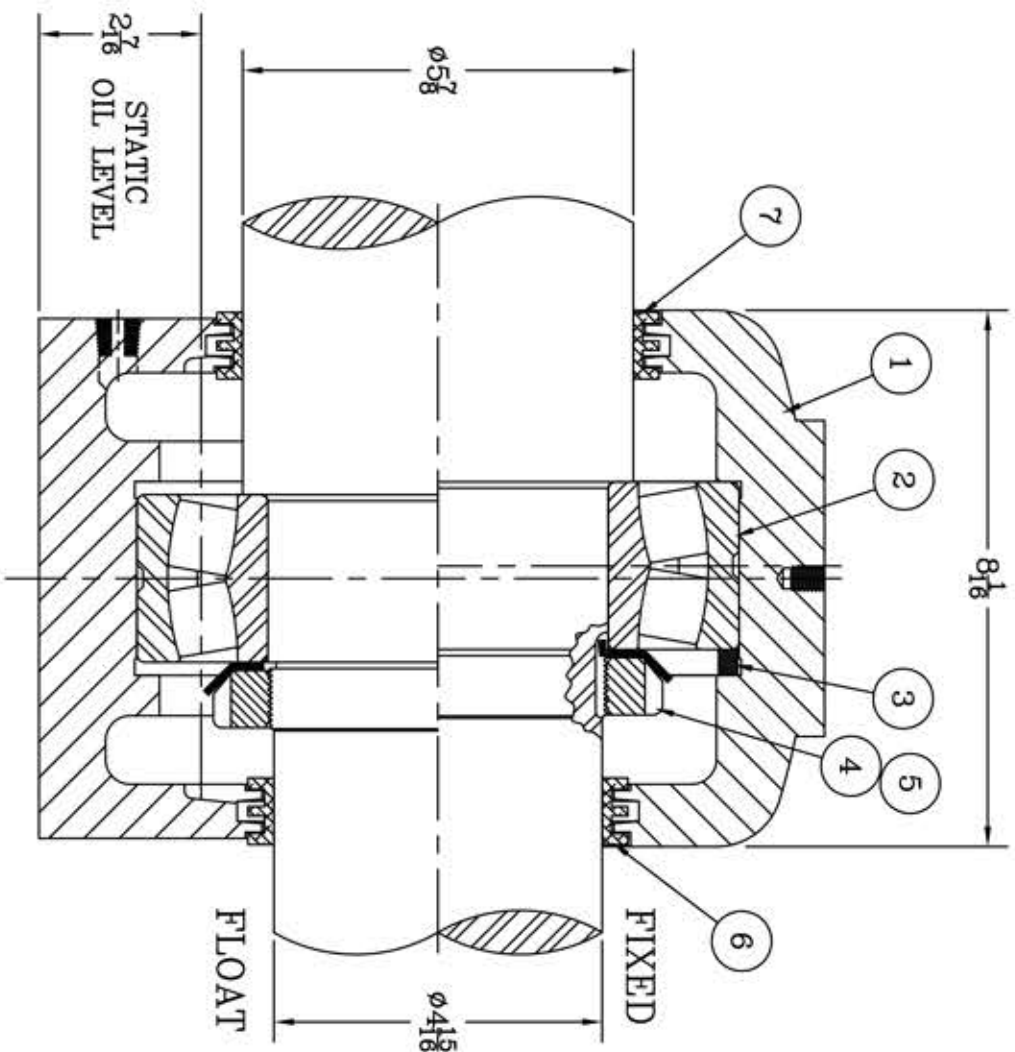
This drawing is the sole property of Miether Bearing Products and contains confidential and proprietary information. It is being provided to you for your use and may not be disclosed to any third party or used for any other purpose without Miether's prior written consent. The [materials] must be returned to the Company upon its demand. Your acceptance of these materials constitutes your acceptance of the foregoing terms.

C-31822

DRILLED & TAPPED FOR 3/16 N.C. EYEBOLT



ITEM	DESCRIPTION	DETAIL	REQUIRED
1	HOUSING SDAF 226	C-19224-R	1 1
2	SPHERICAL ROLLER BEARING	22226/W-33	1 1
3	STABILIZING RING SR-26-0	A-10605	1 0
4	LOCKNUT AN-26	B-10417	1 1
5	LOCKWASHER W-26	00247	1 1
6	TRIPLE SEAL RING LER-122	A-10499	1 1
7	TRIPLE SEAL RING LER-136	A-10500	1 1
8	DOWEL	$\phi 3/8$ x $3/4$ LONG	2 2
9	CAP BOLT HEX. HEAD	$7/8$ -10 NC x 5" LONG	4 4
10	LOCKWASHER	$7/8$ SPLIT MED.	4 4
11	PIPE PLUG	$3/8$ -18 NPT	3 3



REDRAWN FOR CONFORMITY RWB per KAB 7-27-04

REVISIONS

SYMBOL	MICRO-INCH VALUE	DESCRIPTION
V	16	ANGLES $\pm 0^\circ 30'$
D	32	WELD $\pm 1/16"$
E	63	CASTING $\pm 1/16"$
F	125	DECIMALS $\pm 1/32"$
G	250	FRACTIONS $\pm 1/32"$
J	500	DECIMALS $\pm .005"$
K	1000	FRACTIONS $\pm 1/32"$

AN ALCO INDUSTRIES COMPANY  
BEARING PRODUCTS  
ODESSA, TX. USA

SDAF 22226	05-14 x 04-15
ASSEMBLY DRAWING	
SCALE HALF	ASSEMBLY NO.
DRAWN RWB	
DATE 7/26/04	DRAWING NO.
CHK:	C-31822