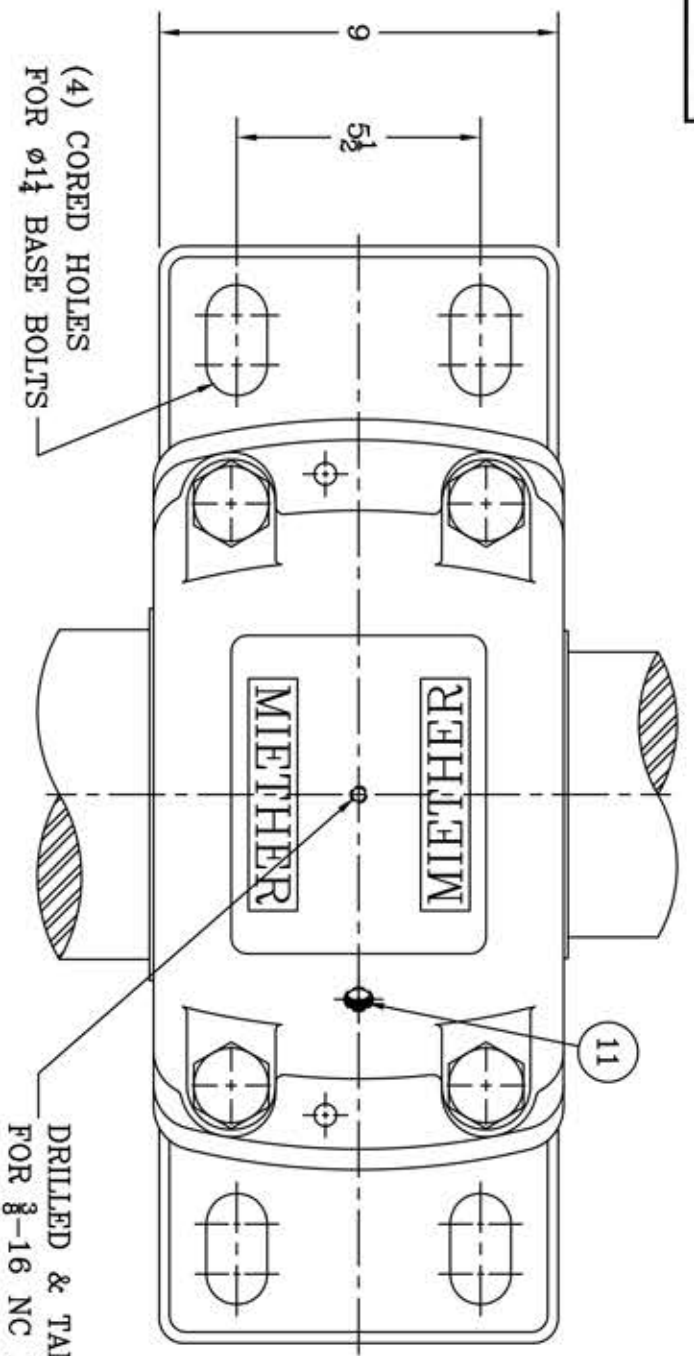


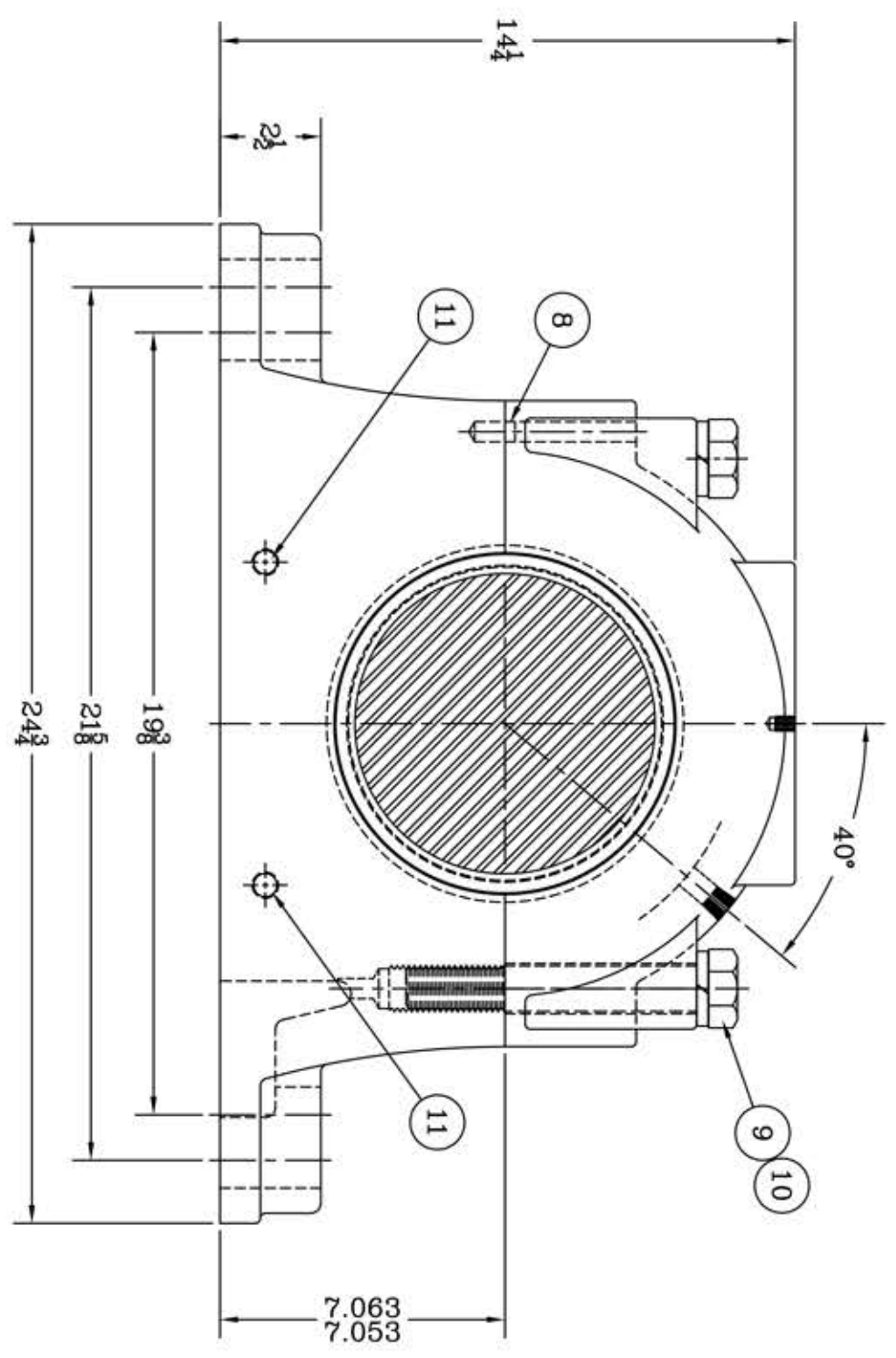
This drawing is the sole property of Miether Bearing Products and contains confidential and proprietary information. It is being provided to you for your use and may not be disclosed to any third party or used for any other purpose without Miether's prior written consent. The [materials] must be returned to the Company upon its demand. Your acceptance of these materials constitutes your acceptance of the foregoing terms.

C-14574

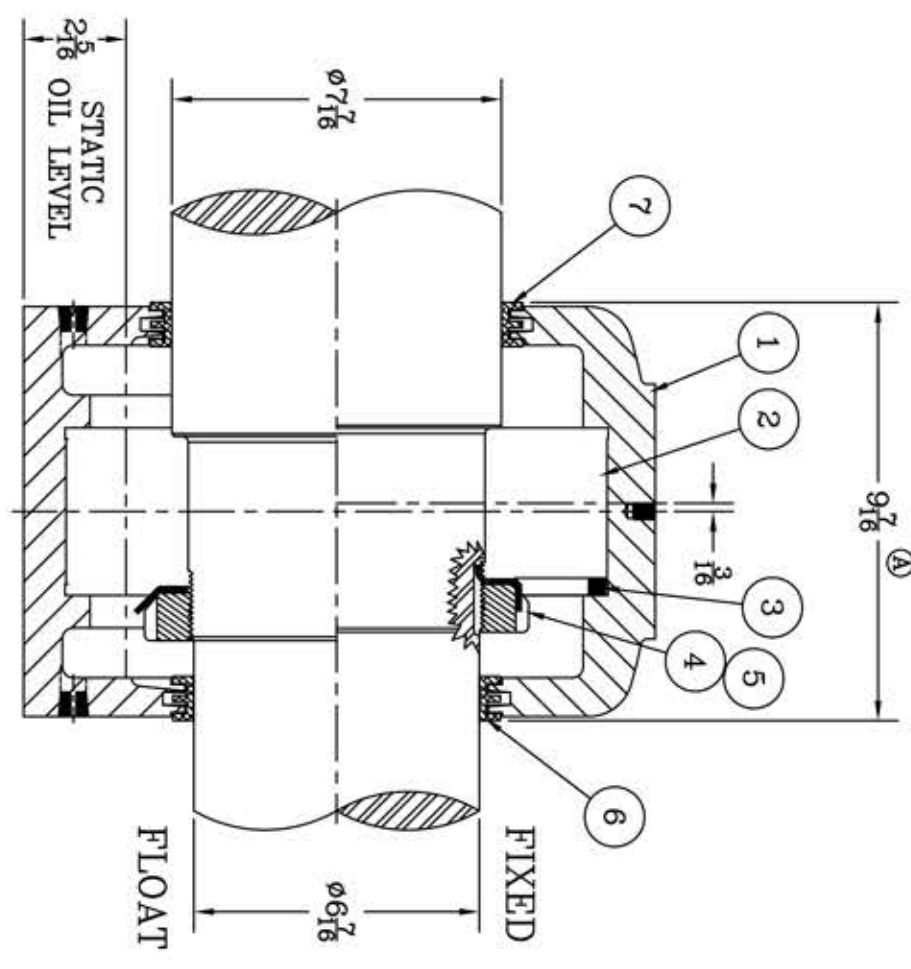


(4) CORED HOLES FOR $\phi 1\frac{1}{4}$ BASE BOLTS

DRILLED & TAPPED FOR $\frac{3}{16}$ -16 NC EYEBOLT



ITEM	DESCRIPTION	DETAIL	REQUIRED
1	HOUSING SDAF 534 05-15	C-15208-R	1 1
2	SPHERICAL ROLLER BEARING	22234/W-33	1 1
3	STABILIZING RING SR-34-0	A-10609	1 0
4	LOCKNUT AN-34	B-10421	1 1
5	LOCKWASHER W-34	00251	1 1
6	TRIPLE SEAL RING LER-148	A-10586	1 1
7	TRIPLE SEAL RING LER-161	A-10673	1 1
8	DOWEL	$\phi 2 \times 1$ " LONG	2 2
9	CAP BOLT HEX. HEAD	$1\frac{1}{8}$ -7 NC x $7\frac{1}{2}$ LONG	4 4
10	LOCKWASHER	$1\frac{1}{8}$ SPLIT MED.	4 4
11	PIPE PLUG	$\frac{3}{8}$ -18 NPT	5 5



REVISIONS

SYMBOL	DESCRIPTION
C	WIDTH WAS $9\frac{5}{8}$ RWB per KAB 7-30-04
D	REDRAWN FOR CONFORMITY RWB per KAB 7-26-04

TOLERANCE: UNLESS OTHERWISE SPECIFIED

FRACTIONS $\pm 1/32"$ ANGLES $\pm 0^\circ.30'$

DECIMALS $\pm .005"$ WELD $\pm 1/16"$

CASTING $\pm 1/16"$

A.I.S.I. STANDARD FINISHES

MICRO-INCH VALUE	FINISH
16	C
32	D
63	E
125	F
250	G
500	J
1000	K

AN ALCO INDUSTRIES COMPANY
BEARING PRODUCTS
ODESSA, TX. USA

SDAF 22234 07-07 x 06-07
ASSEMBLY DRAWING

SCALE 1 = 3
DRAWN CJ
DATE 9/19/73
CHK:

ASSEMBLY NO.
DRAWING NO. C-14574