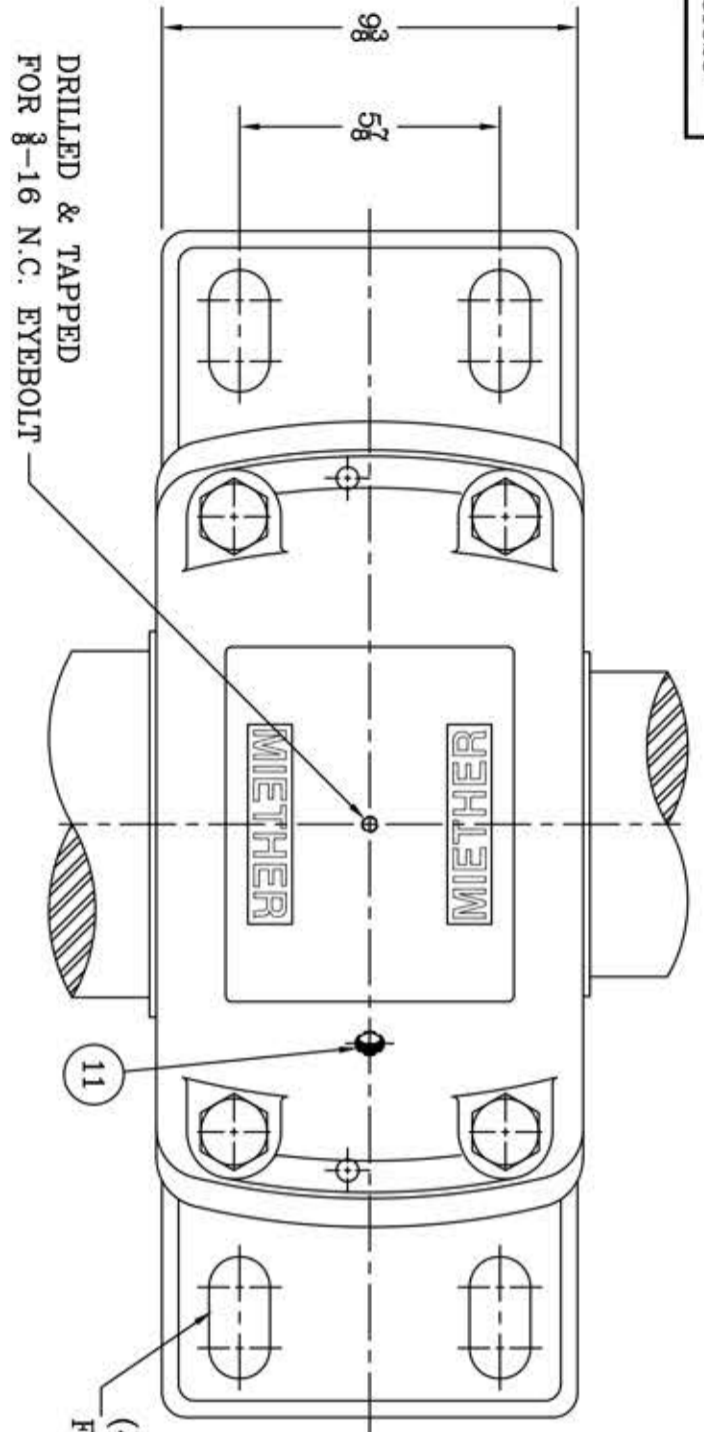
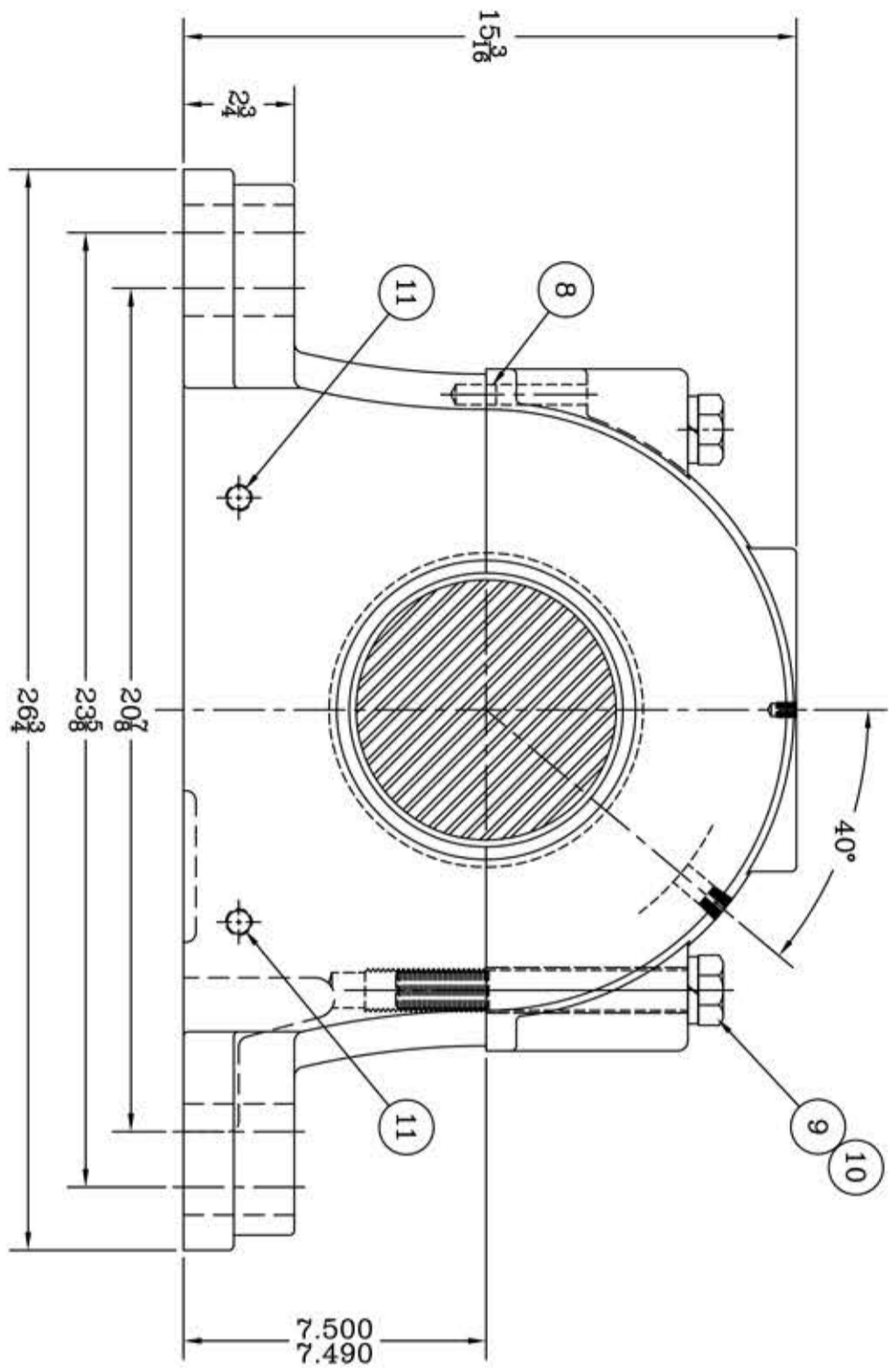


This drawing is the sole property of Miether Bearing Products and contains confidential and proprietary information. It is being provided to you for your use and may not be disclosed to any third party or used for any other purpose without Miether's prior written consent. The [materials] must be returned to the Company upon its demand. Your acceptance of these materials constitutes your acceptance of the foregoing terms.

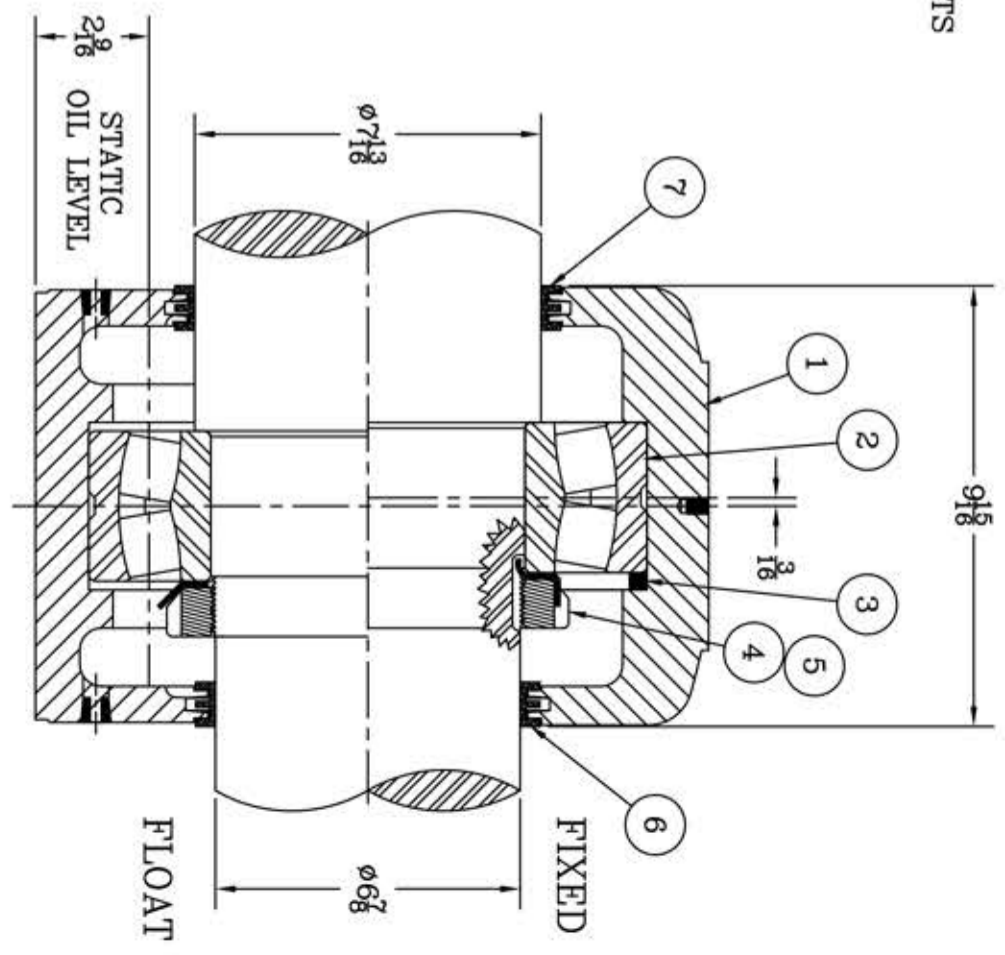
C-31823



(4) CORED HOLES FOR $\phi 1\frac{1}{4}$ BASE BOLTS



ITEM	DESCRIPTION	DETAIL	REQUIRED
1	HOUSING SDAF 236	C-19547-R	1 1
2	SPHERICAL ROLLER BEARING	22236/W-33	1 1
3	STABILIZING RING	SR-36-30 A-10610	1 0
4	LOCKNUT	AN-36 B-10422	1 1
5	LOCKWASHER	W-36 00252	1 1
6	TRIPLE SEAL RING	LER-154 A-10672	1 1
7	TRIPLE SEAL RING	LER-165 A-10675	1 1
8	DOWEL	$\phi 2 \times 1$ " LONG	2 2
9	CAP BOLT HEX. HEAD	1-8 NC x $7\frac{1}{2}$ " LONG	4 4
10	LOCKWASHER	1" SPLIT MED.	4 4
11	PIPE PLUG	$\frac{3}{8}$ -18 NPT	5 5



REDRAWN FOR CONFORMITY
RWB per KAB
7-27-04

REVISIONS

SYMBOL	DESCRIPTION
C	CASTING
D	WELD
E	ANGLE
F	FINISHES
G	WELD
J	FINISHES
K	FINISHES

TOLERANCE: UNLESS OTHERWISE SPECIFIED
FRACTIONS $\pm 1/32$ "
DECIMALS $\pm .005$
CASTING $\pm 1/16$ "
WELD $\pm 1/16$ "
ANGLE $\pm 0^\circ .30'$
A.I.S.I. STANDARD FINISHES

SDAF 22236 07-13 x 06-14
ASSEMBLY DRAWING
SCALE 1 = 3
DRAWN RWB
DATE 7/27/04
CHK.
AN ALCO INDUSTRIES COMPANY
ODESSA, TX. USA
DRAWING NO. C-31823