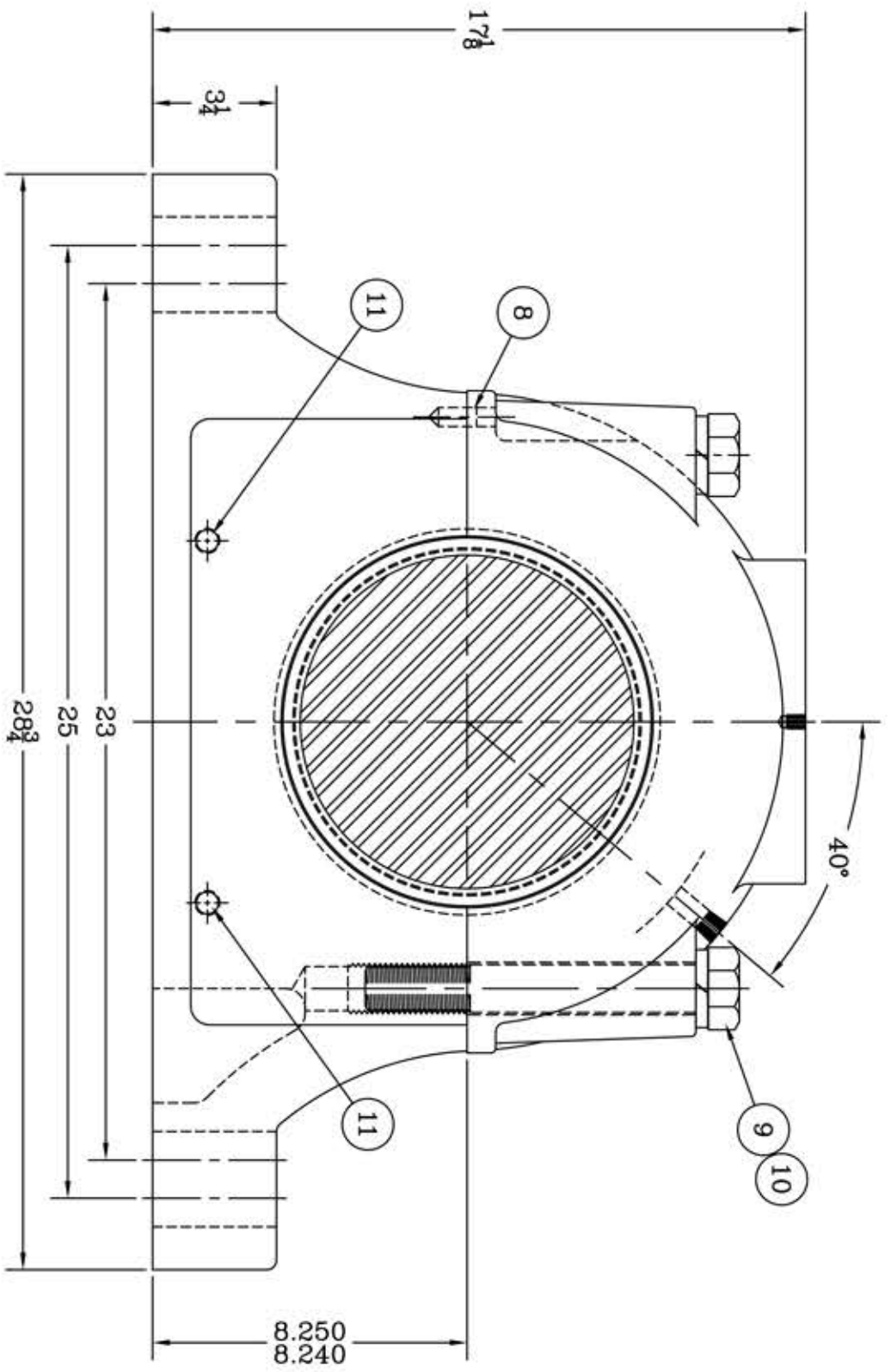
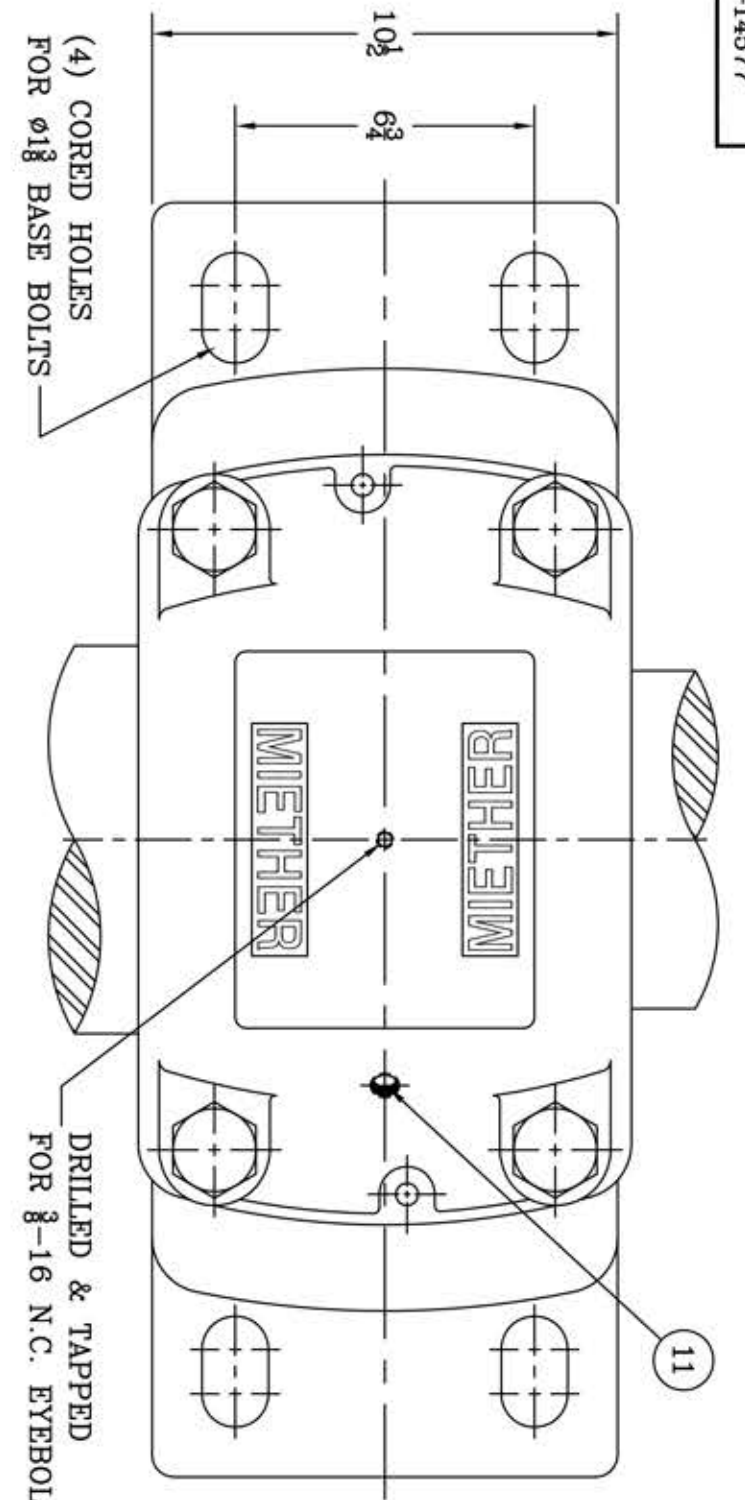
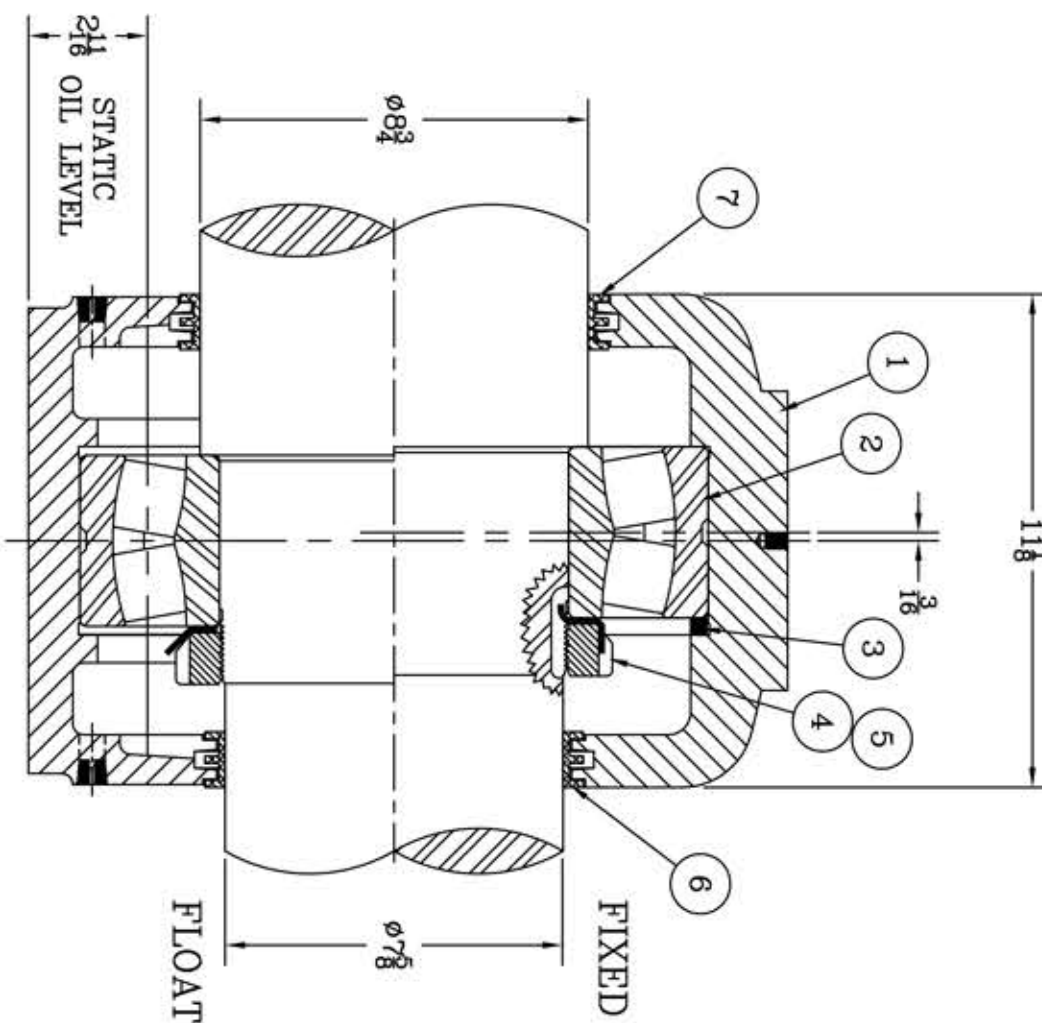


This drawing is the sole property of Miether Bearing Products and contains confidential and proprietary information. It is being provided to you for your use and may not be disclosed to any third party or used for any other purpose without Miether's prior written consent. The [materials] must be returned to the Company upon its demand. Your acceptance of these materials constitutes your acceptance of the foregoing terms.

C-14577



ITEM	DESCRIPTION	DETAIL	REQUIRED
1	HOUSING SDAF 240	C-15211-R	1 1
2	SPHERICAL ROLLER BEARING	22240/W-33	1 1
3	STABILIZING RING SR-40-34	A-10611	1 0
4	LOCKNUT AN-40	B-10424	1 1
5	LOCKWASHER W-40	00	1 1
6	TRIPLE SEAL RING LER-233	A-15430	1 1
7	TRIPLE SEAL RING LER-244	A-15431	1 1
8	DOWEL	1/2 x 1" LONG	2 2
9	CAP BOLT HEX. HEAD	1 1/4-7 NC x 9" LONG	4 4
10	LOCKWASHER	1 1/4 SPLIT MED.	4 4
11	PIPE PLUG	3/8-18 NPT	5 5



REDRAWN FOR CONFORMITY RWB per KAB 7-28-04

REVISIONS

SYMBOL	DESCRIPTION	DATE	BY	CHK
C	REVISION	18	32	63
D	REVISION	125	250	500
E	REVISION	1000		

AN ALCO INDUSTRIES COMPANY  
BEARING PRODUCTS  
ODESSA, TX. USA

SDAF 22240	08-12 x 07-10
ASSEMBLY DRAWING	
SCALE 1 = 3	ASSEMBLY NO.
DRAWN CJ	
DATE 3/28/72	DRAWING NO. C-14577
CHK:	