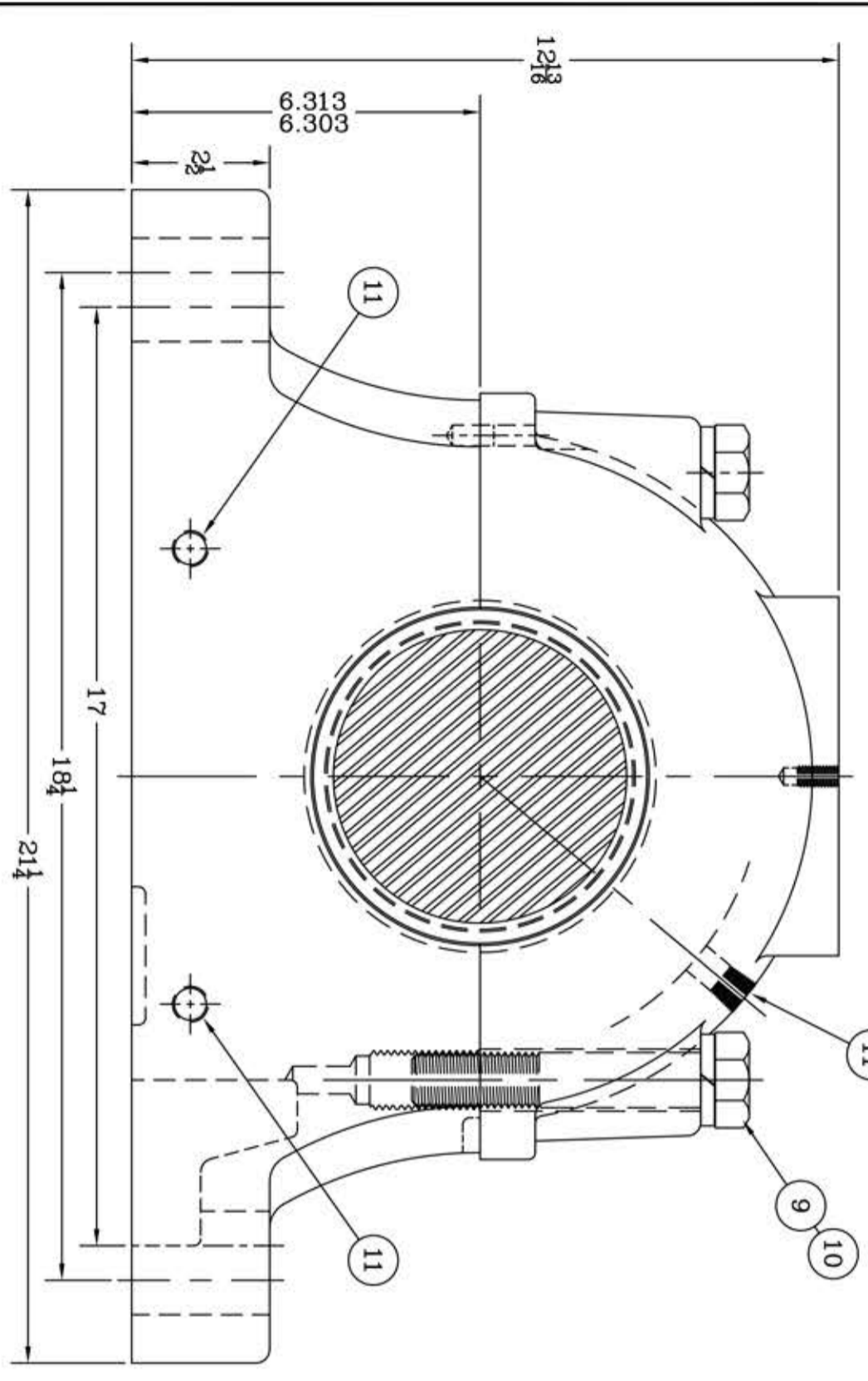
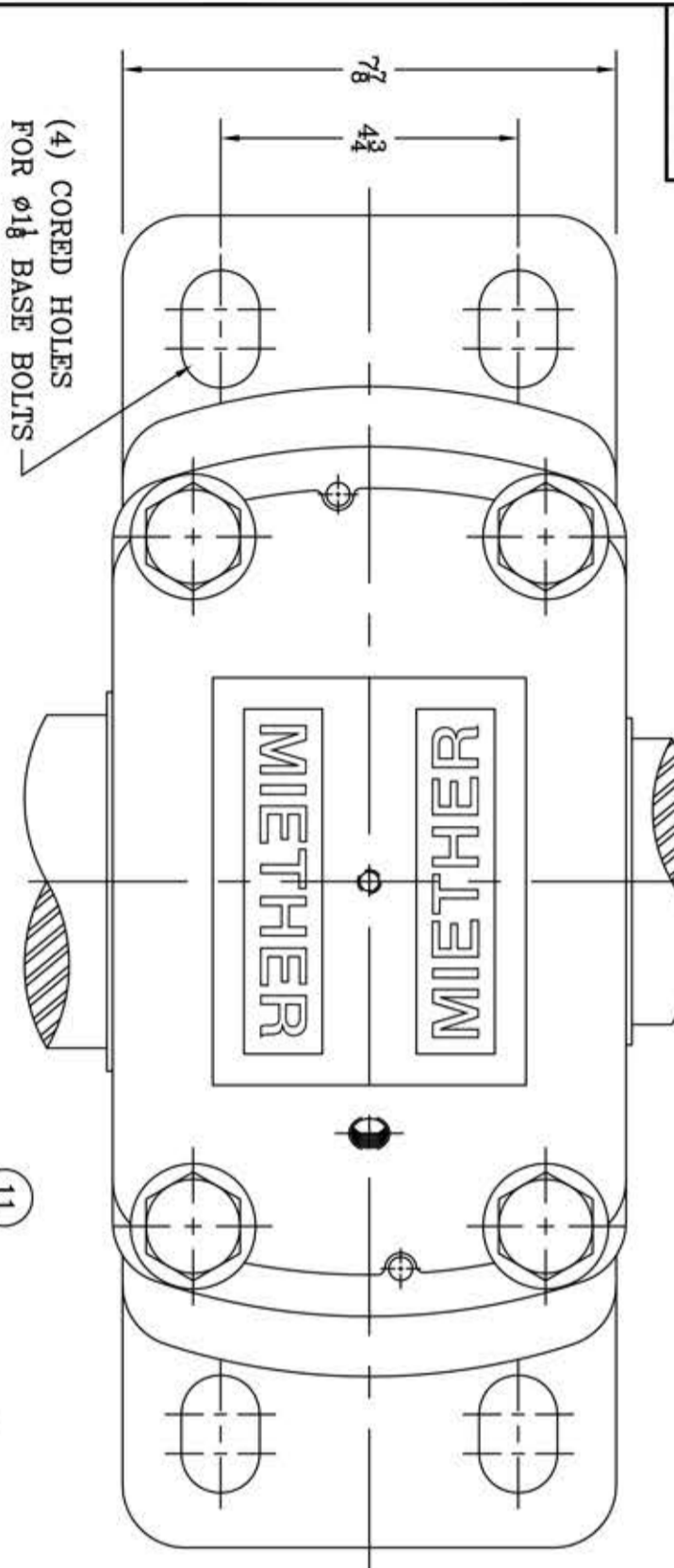
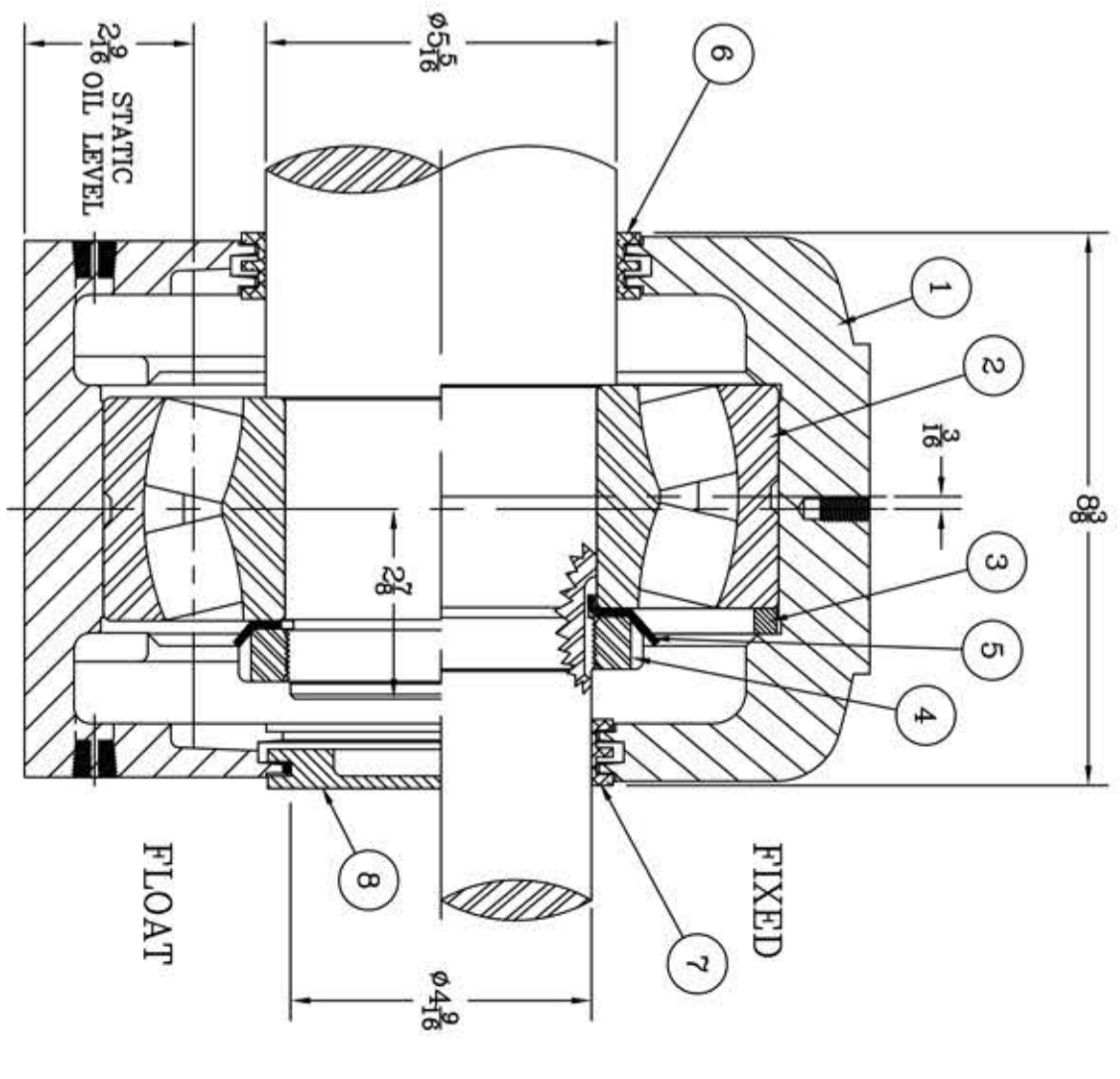


This drawing is the sole property of Miether Bearing Products and contains confidential and proprietary information. It is being provided to you for your use and may not be disclosed to any third party or used for any other purpose without Miether's prior written consent. The [materials] must be returned to the Company upon its demand. Your acceptance of these materials constitutes your acceptance of the foregoing terms.

C-14588



ITEM	DESCRIPTION	DETAIL	QTY
1	HOUSING SDAF 324	C-15222-R	1
2	SPHERICAL ROLLER BRG.	22324/W-33	1
3	STABILIZING RING SR-0-24	A-15124	1
4	LOCKNUT AN-24	B-10416	1
5	LOCKWASHER W-24	~~~~~	1
6	TRIPLE SEAL RING LER 127	A-10626	1
7	TRIPLE SEAL RING LER 119	A-10625	1
8	END PLUG EP-15	A-10697	OPT.
9	CAP BOLT HEX. HEAD	1-8 NC x $5\frac{1}{2}$ LONG	4
10	CAP BOLT LOCKWASHER	1" SPLIT (MED.)	4
11	PIPE PLUG	$\frac{3}{8}$ -18 NPT	5



REDRAWN FOR CONFORMITY by RWB 8-8-01

REVISIONS

SYMBOL	DESCRIPTION
C	REVISION 16
D	REVISION 32
E	REVISION 63
F	REVISION 125
G	REVISION 250
J	REVISION 500
K	REVISION 1000

TOLERANCE: UNLESS OTHERWISE SPECIFIED
 FRACTIONS $\pm 1/32"$ ANGLES $\pm 30^\circ$
 DECIMALS $\pm .005"$ WELD $\pm 1/16"$
 CASTING $\pm 1/16"$

A.I.S.I. STANDARD FINISHES

AN ALCO INDUSTRIES COMPANY
 BEARING PRODUCTS
 ODESSA, TX. USA

SDAF 22324	05-05 x 04-09
ASSEMBLY DRAWING	
SCALE HALF	ASSEMBLY NO.
DRAWN OMI	DRAWING NO.
DATE 10-30-90	C-14588
CHK:	