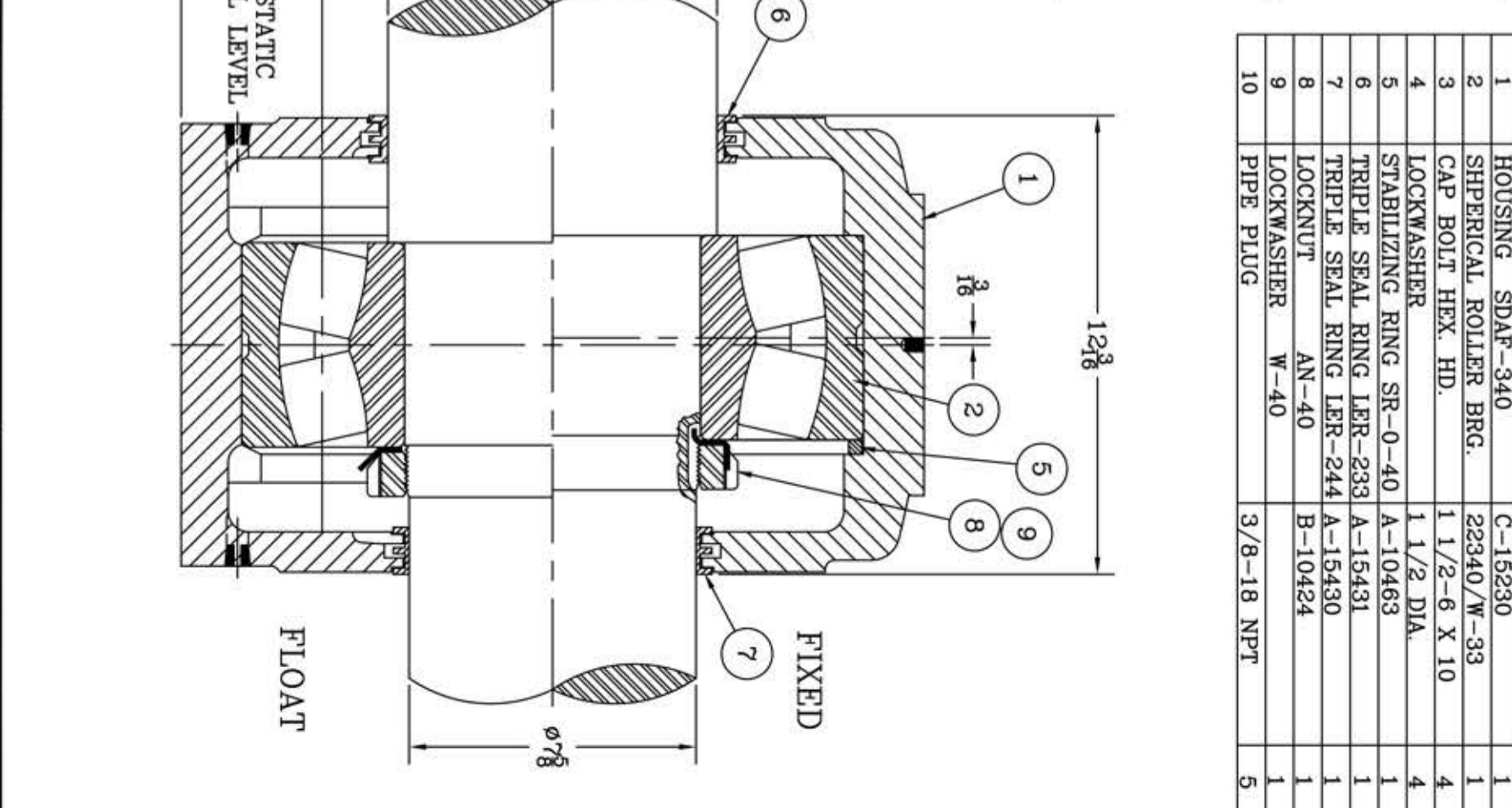
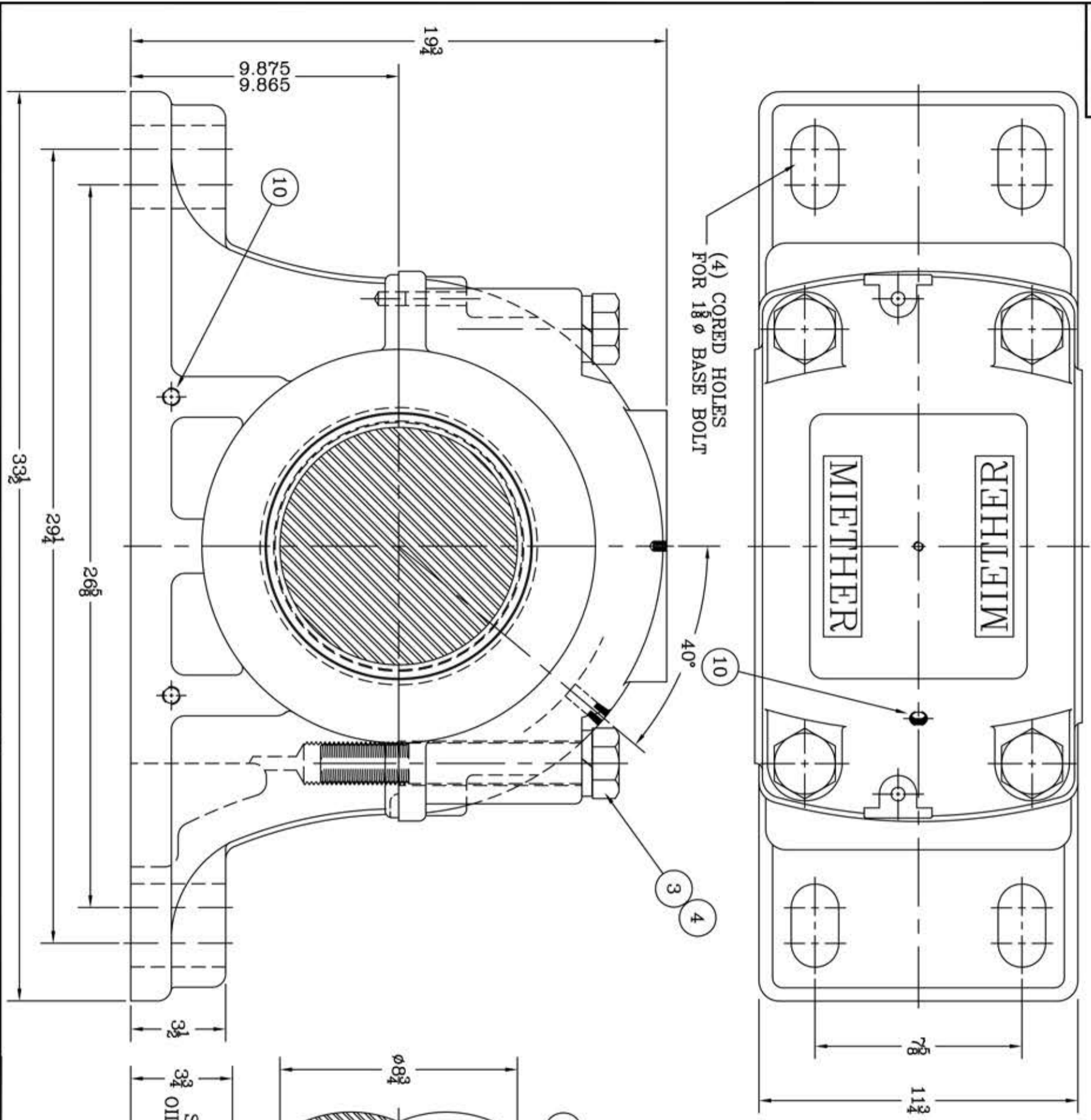


C-14956

This drawing is the sole property of Miether Bearing Products and contains confidential and proprietary information. It is being provided to you for your use and may not be disclosed to any third party or used for any other purpose without Miether's prior written consent. The [materials] must be returned to the Company upon its demand. Your acceptance of these materials constitutes your acceptance of the foregoing terms.



ITEM	DESCRIPTION	DETAIL	REQ.
1	HOUSING SDAF-340	C-15230	1
2	SPHERICAL ROLLER BRG.	22340/W-33	1
3	CAP BOLT HEX. HD.	1 1/2-6 X 10	4
4	LOCKWASHER	1 1/2 DIA.	4
5	STABILIZING RING SR-0-40	A-10463	1
6	TRIPLE SEAL RING LER-233	A-15431	1
7	TRIPLE SEAL RING LER-244	A-15430	1
8	LOCKNUT AN-40	B-10424	1
9	LOCKWASHER W-40		1
10	PIPE PLUG	3/8-18 NPT	5

REDRAWN by RWB  
8-26-98

REVISIONS

SYMBOL	DESCRIPTION	DATE
C	REVISION	16
D	REVISION	32
E	REVISION	63
F	REVISION	125
G	REVISION	250
J	REVISION	500
K	REVISION	1000

TOLERANCE: UNLESS OTHERWISE SPECIFIED

FRACTIONS  $\pm 1/32$ " ANGLES  $\pm 0^\circ 30'$   
DECIMALS  $\pm .005$ " WELD  $\pm 1/16$ "  
CASTING  $\pm 1/16$ "

A.I.S.I. STANDARD FINISHES

SDAF 22340 08-12 x 07-10  
ASSEMBLY DRAWING  
SCALE 1 = 3  
DRAWN CJ  
DATE 5-22-72  
CHK.  
AN ALCO INDUSTRIES COMPANY  
ODESSA, TX. USA  
DRAWING NO. C-14956