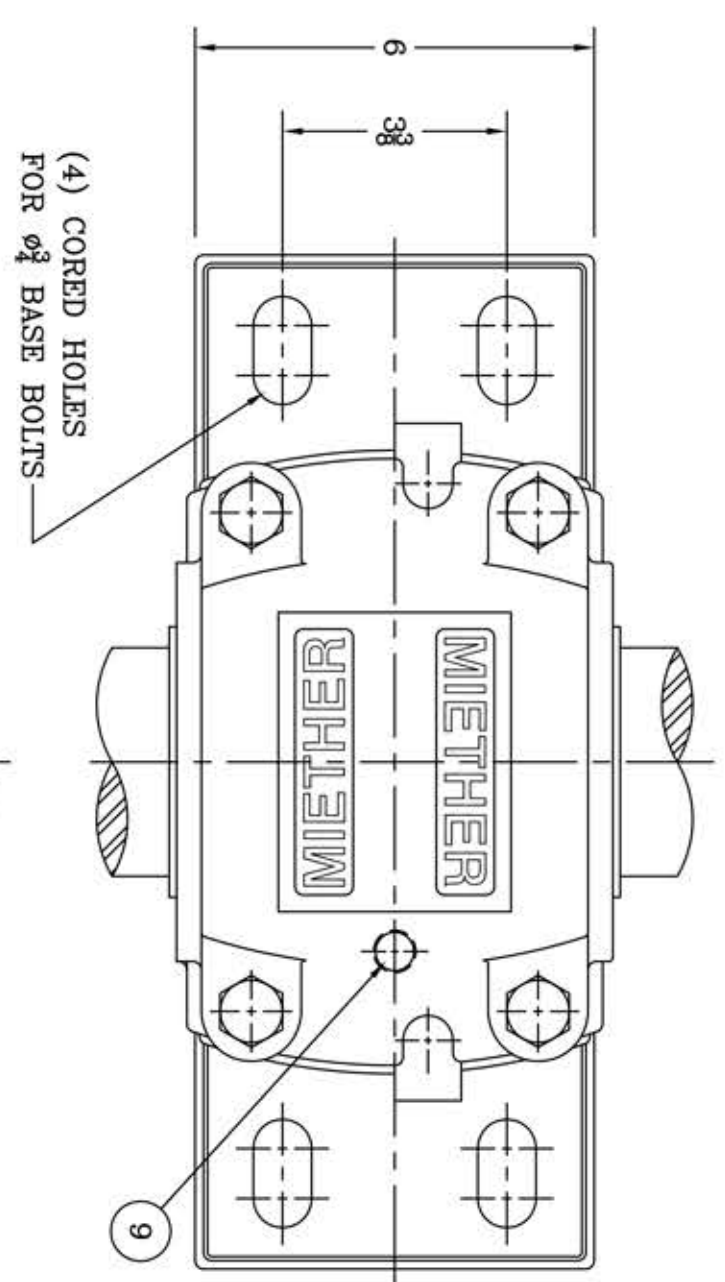
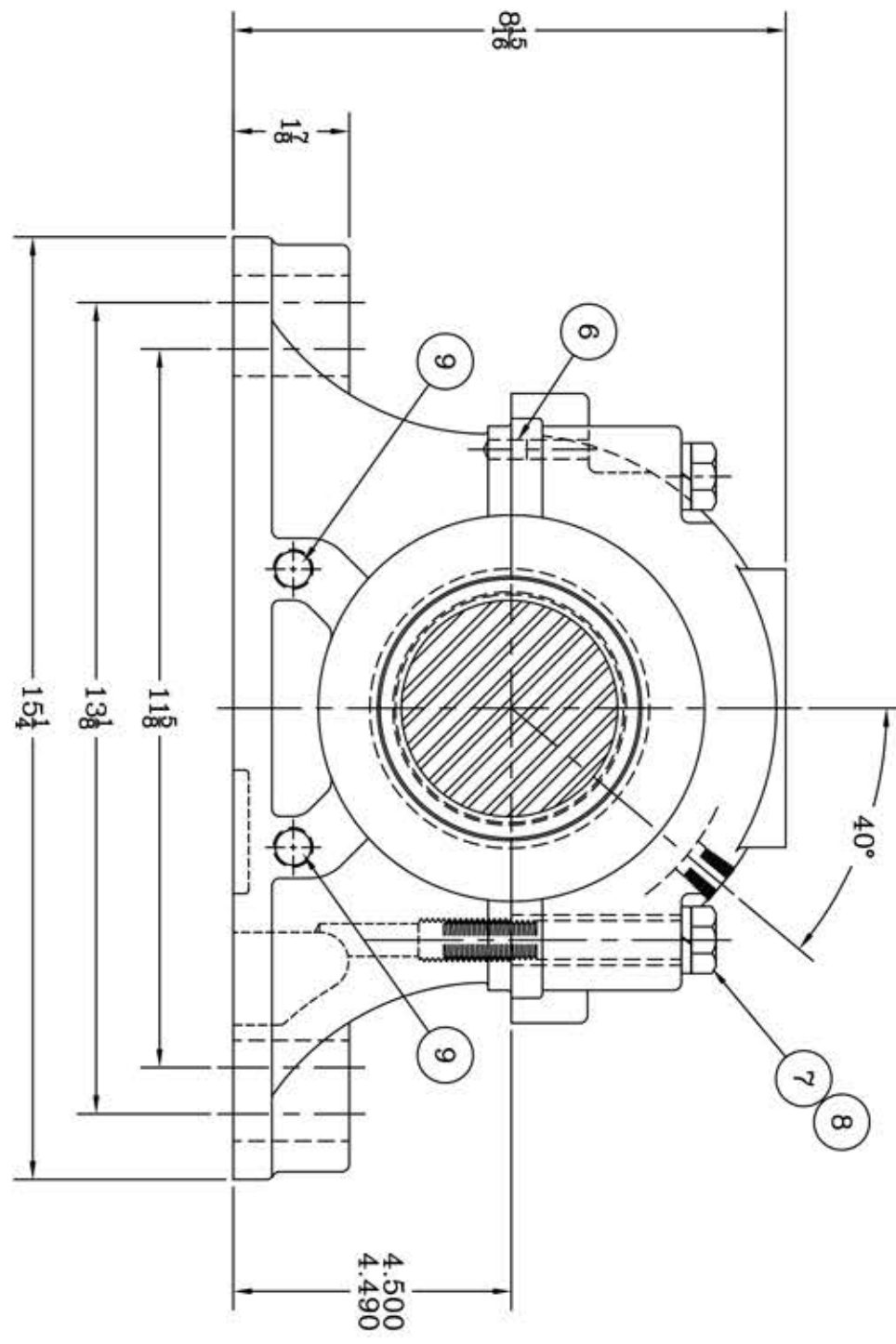


This drawing is the sole property of Miether Bearing Products and contains confidential and proprietary information. It is being provided to you for your use and may not be disclosed to any third party or used for any other purpose without Miether's prior written consent. The [materials] must be returned to the Company upon its demand. Your acceptance of these materials constitutes your acceptance of the foregoing terms.

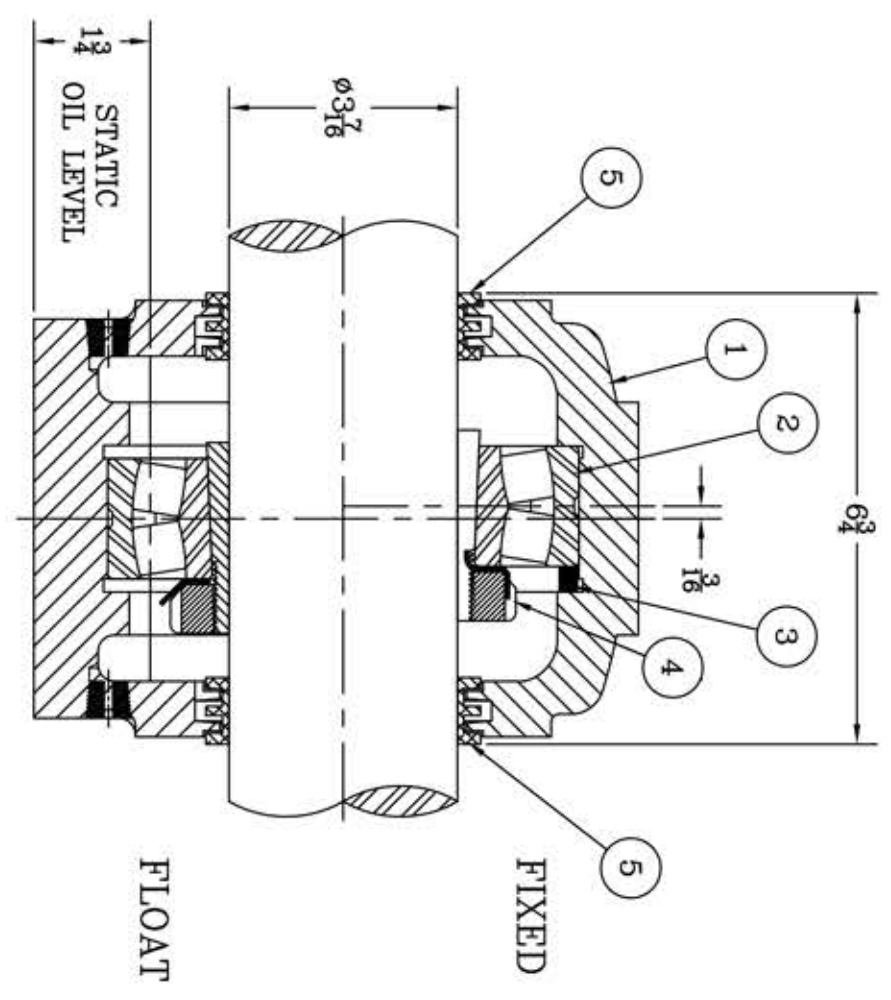
C-15393



(4) CORED HOLES  
FOR  $\phi \frac{3}{4}$  BASE BOLTS



ITEM	DESCRIPTION	DETAIL	REQUIRED
1	HOUSING SDAF 520	C-15235	1 1
2	SPHERICAL ROLLER BEARING	22220K/-33	1 1
3	STABILIZING RING SR-20-17	A-10602	1 0
4	ADAPTER SNW-20 03-07	24416	1 1
5	TRIPLE SEAL RING LER-102	A-10576	2 2
6	DOWEL	$\phi \frac{5}{16}$ x $\frac{3}{8}$ LONG	2 2
7	CAP BOLT HEX. HEAD	$\frac{5}{8}$ -11 NC x 4" LONG	4 4
8	LOCKWASHER	$\frac{3}{8}$ SPLIT MED.	4 4
9	PIPE PLUG	$\frac{3}{8}$ -18- NPT	3 3



REDRAWN FOR CONFORMITY  
RWB per KAB  
6-22-04

REVISIONS

SYMBOL	DESCRIPTION
C	CASTING
D	WELD
E	ANGLE
F	FINISH
G	WELD
J	ANGLE
K	WELD

TOLERANCE: UNLESS OTHERWISE SPECIFIED  
FRACTIONS  $\pm 1/32$ "  
DECIMALS  $\pm .005$ "  
CASTING  $\pm 1/16$ "  
WELD  $\pm 1/16$ "  
ANGLE  $\pm 0^\circ .30'$

A.I.S.I. STANDARD FINISHES

AN ALCO INDUSTRIES COMPANY  
BEARING PRODUCTS  
ODESSA, TX. USA

SDAF 22520 03-07	ASSEMBLY DRAWING
SCALE HALF	ASSEMBLY NO.
DRAWN JB	DRAWING NO.
DATE 2/25/72	C-15393
CHK:	