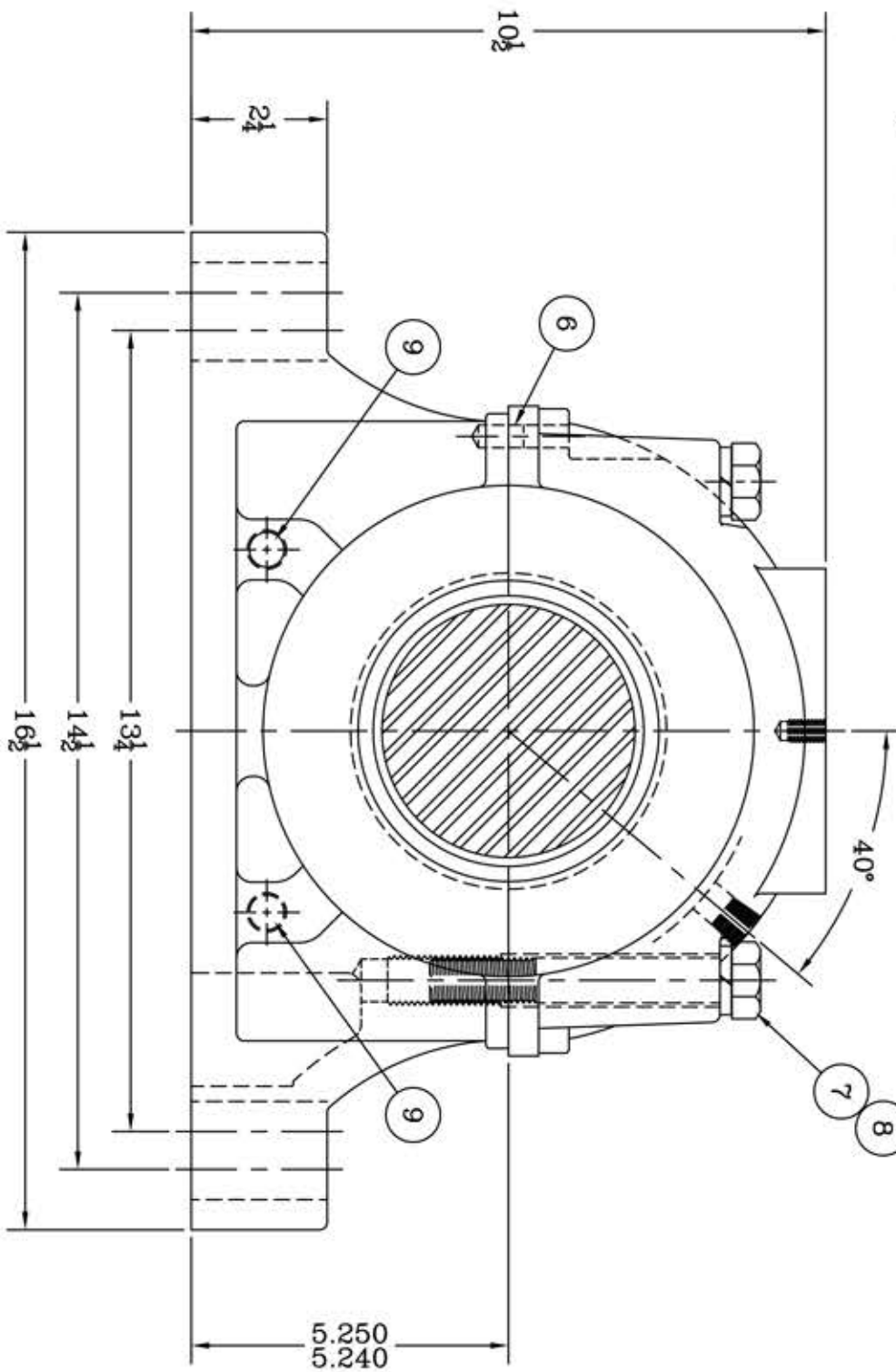
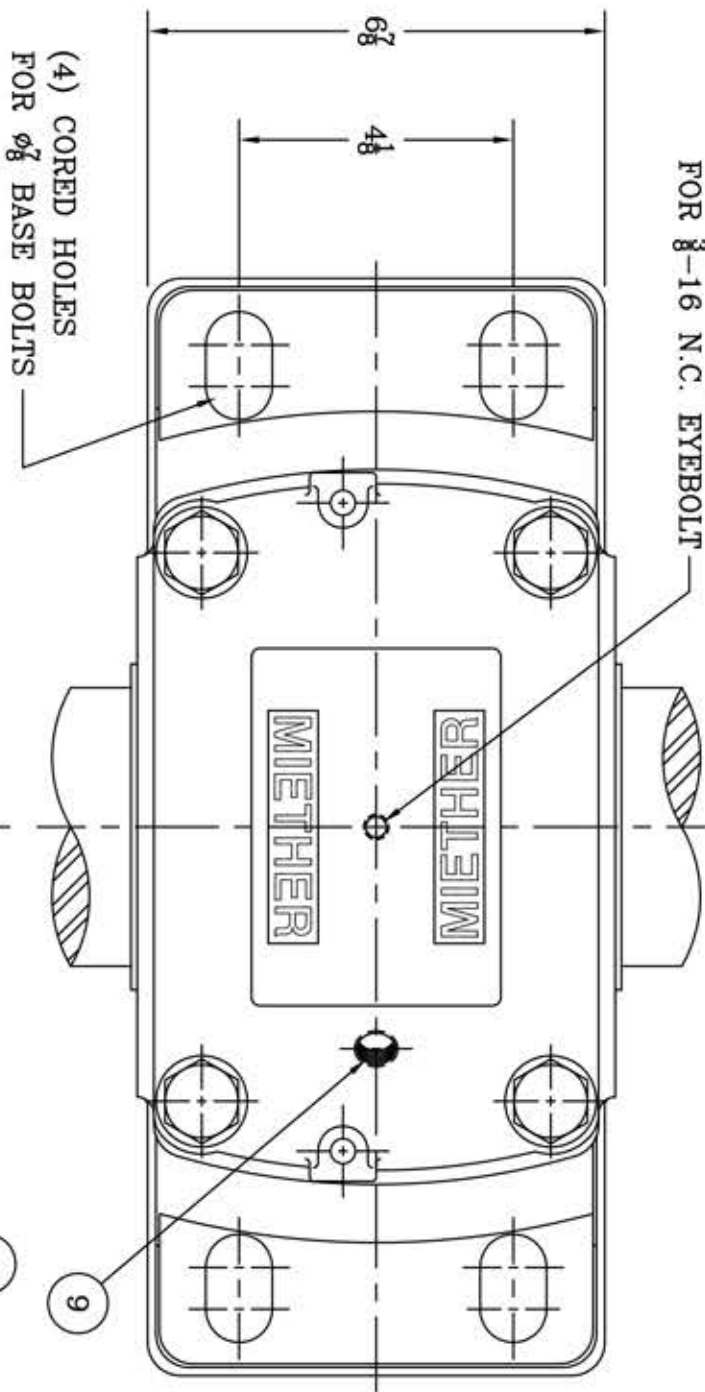


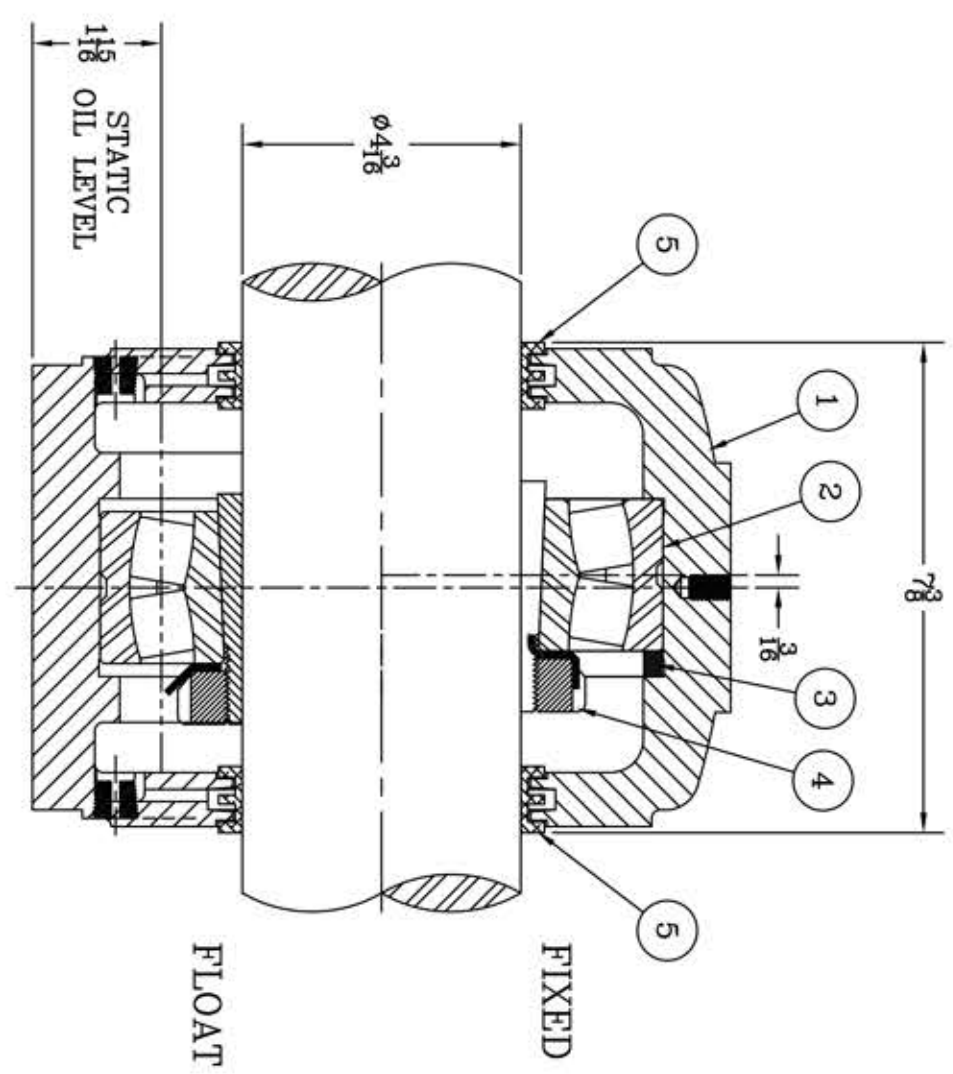
This drawing is the sole property of Miether Bearing Products and contains confidential and proprietary information. It is being provided to you for your use and may not be disclosed to any third party or used for any other purpose without Miether's prior written consent. The [materials] must be returned to the Company upon its demand. Your acceptance of these materials constitutes your acceptance of the foregoing terms.

C-14603

DRILLED & TAPPED
FOR 3/8-16 N.C. EYEBOLT



ITEM	DESCRIPTION	DETAIL	REQUIRED
1	HOUSING SDAF 524	C-15237	1 1
2	SPHERICAL ROLLER BEARING	22224K/W-33	1 1
3	STABILIZING RING SR-24-20	A-10604	1 0
4	ADAPTER SNW-24 04-03	24426	1 1
5	TRIPLE SEAL RING LER-113	A-10579	2 2
6	DOWEL	Ø8 x 3/4 LONG	2 2
7	CAP BOLT HEX. HEAD	3/4-10 NC x 5" LONG	4 4
8	LOCKWASHER	3/4 SPLIT MED.	4 4
9	PIPE PLUG	3/8-18 NPT	3 3



REDRAWN FOR CONFORMITY
RWB per KAB
7-19-04

REVISIONS

SYMBOL	DESCRIPTION
C	REVISIONS
D	REVISIONS
E	REVISIONS
F	REVISIONS
G	REVISIONS
J	REVISIONS
K	REVISIONS

TOLERANCE: UNLESS OTHERWISE SPECIFIED
FRACTIONS ± 1/32" ANGLES ± 0° 30'
DECIMALS ± .005 WELD ± 1/16"
CASTING ± 1/16"

A.I.S.I. STANDARD FINISHES

AN ALCO INDUSTRIES COMPANY
BEARING PRODUCTS
ODESSA, TX. USA

SDAF 22524	04-03
ASSEMBLY DRAWING	
SCALE HALF	ASSEMBLY NO.
DRAWN CJ	
DATE 12/14/72	DRAWING NO.
CHK:	C-14603