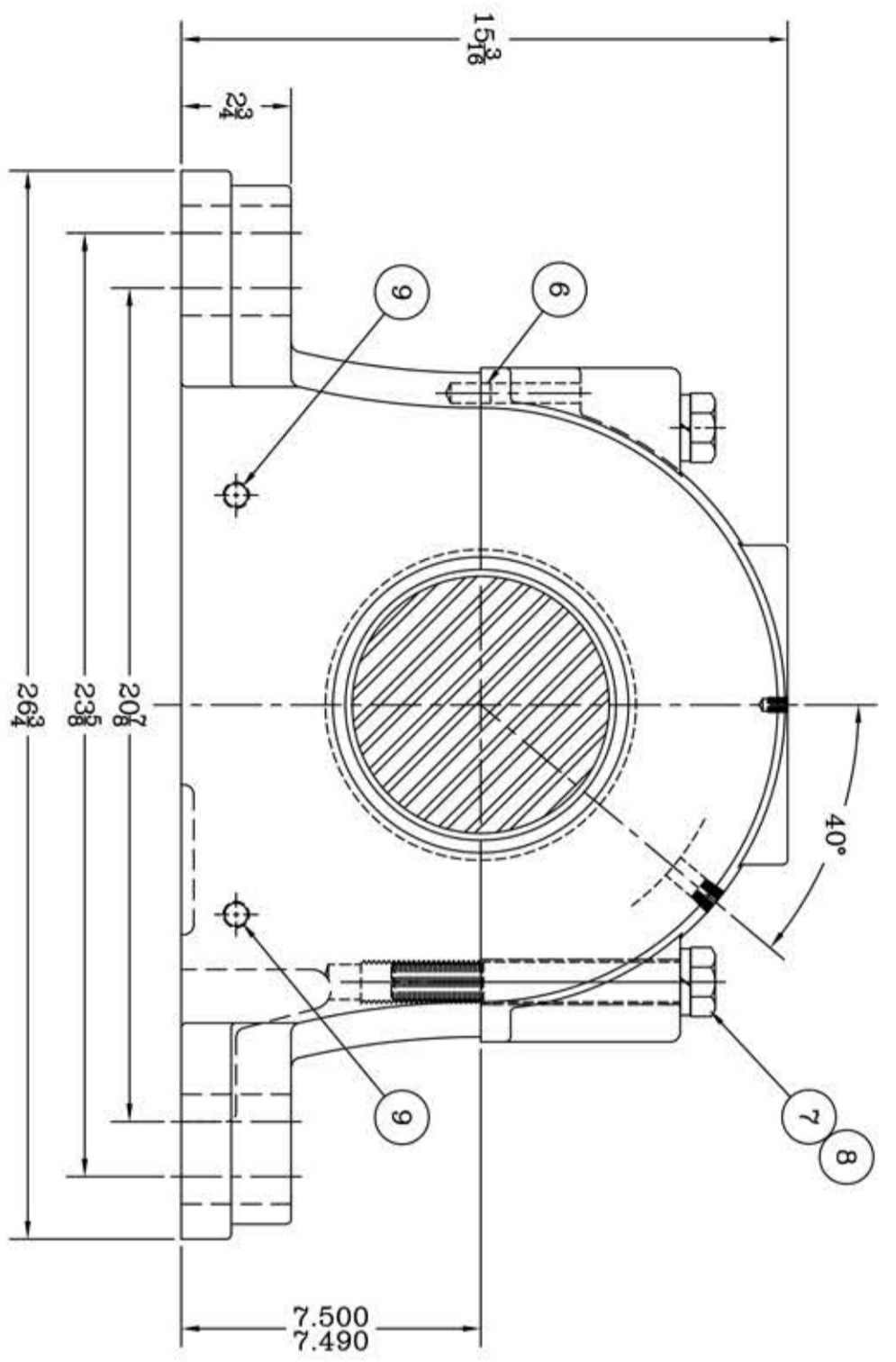
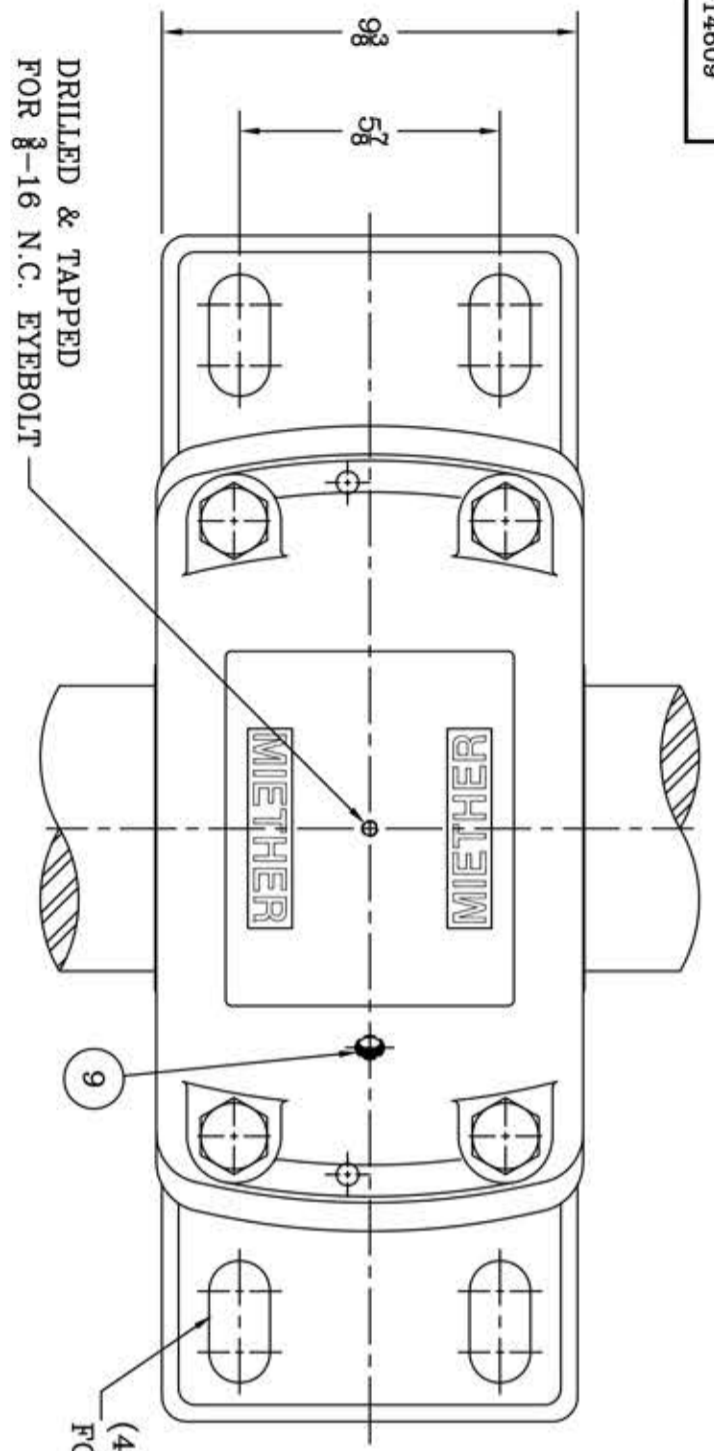
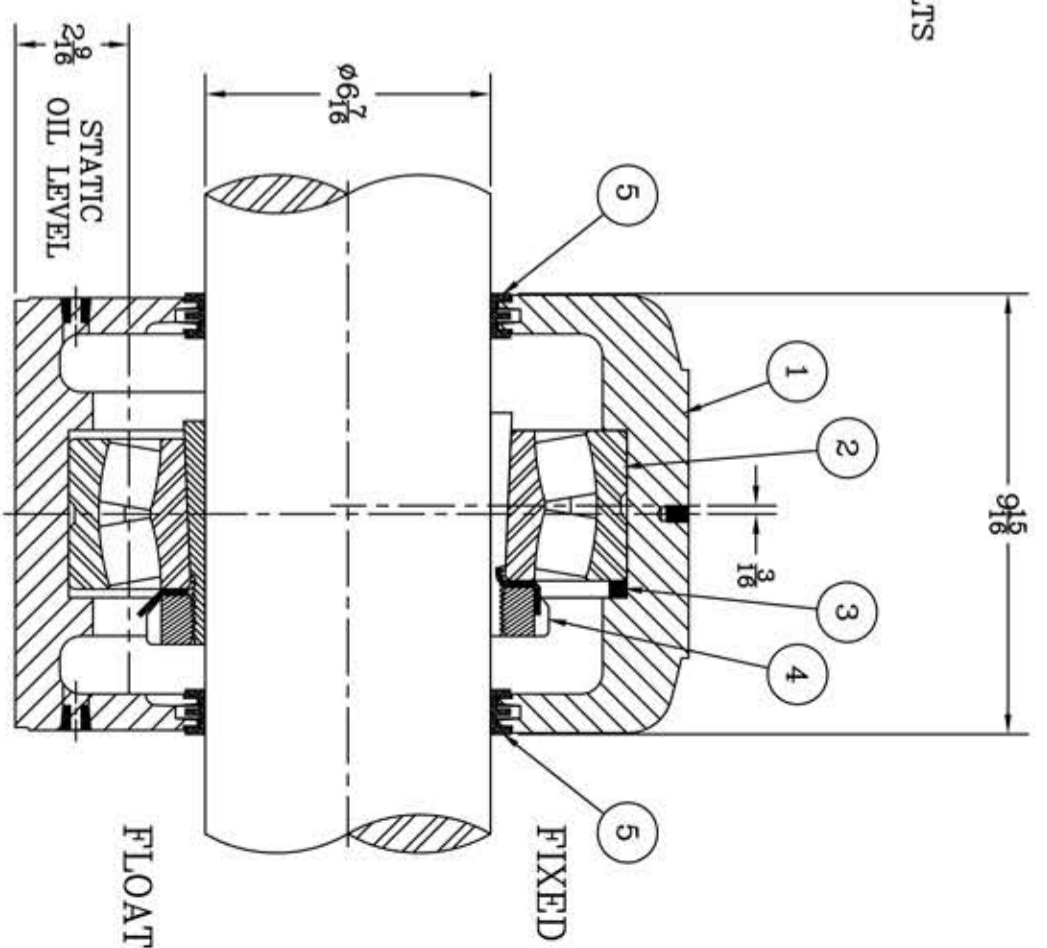


This drawing is the sole property of Miether Bearing Products and contains confidential and proprietary information. It is being provided to you for your use and may not be disclosed to any third party or used for any other purpose without Miether's prior written consent. The [materials] must be returned to the Company upon its demand. Your acceptance of these materials constitutes your acceptance of the foregoing terms.

C-14609



ITEM	DESCRIPTION	DETAIL	REQUIRED
1	HOUSING SDAF 536 06-07	C-15243	1 1
2	SPHERICAL ROLLER BEARING	22236K/W-33	1 1
3	STABILIZING RING SR-36-30	A-10610	1 0
4	ADAPTER SNW-36 06-07	24452	1 1
5	TRIPLE SEAL RING LER-148	A-10586	2 2
6	DOWEL	φ 1/2 x 1" LONG	2 2
7	CAP BOLT HEX. HEAD	1-8 NC x 7/8" LONG	4 4
8	LOCKWASHER	1" SPLIT MED.	4 4
9	PIPE PLUG	3/8-18 NPT	5 5



REDRAWN FOR CONFORMITY
RWB per KAB
6-21-04

REVISIONS

SYMBOL	DESCRIPTION	VALUE
C	ANGLES	± 0° 30'
D	DECIMALS	± 1/32"
E	CASTING	± 1/16"
F	WELD	± 1/16"
G	ANGLES	± 0° 30'
J	DECIMALS	± 1/32"
K	CASTING	± 1/16"

AN ALCO INDUSTRIES COMPANY
ODESSA, TX. USA

SCALE	DATE	DRAWING NO.
1 = 3	4/11/94	C-14609