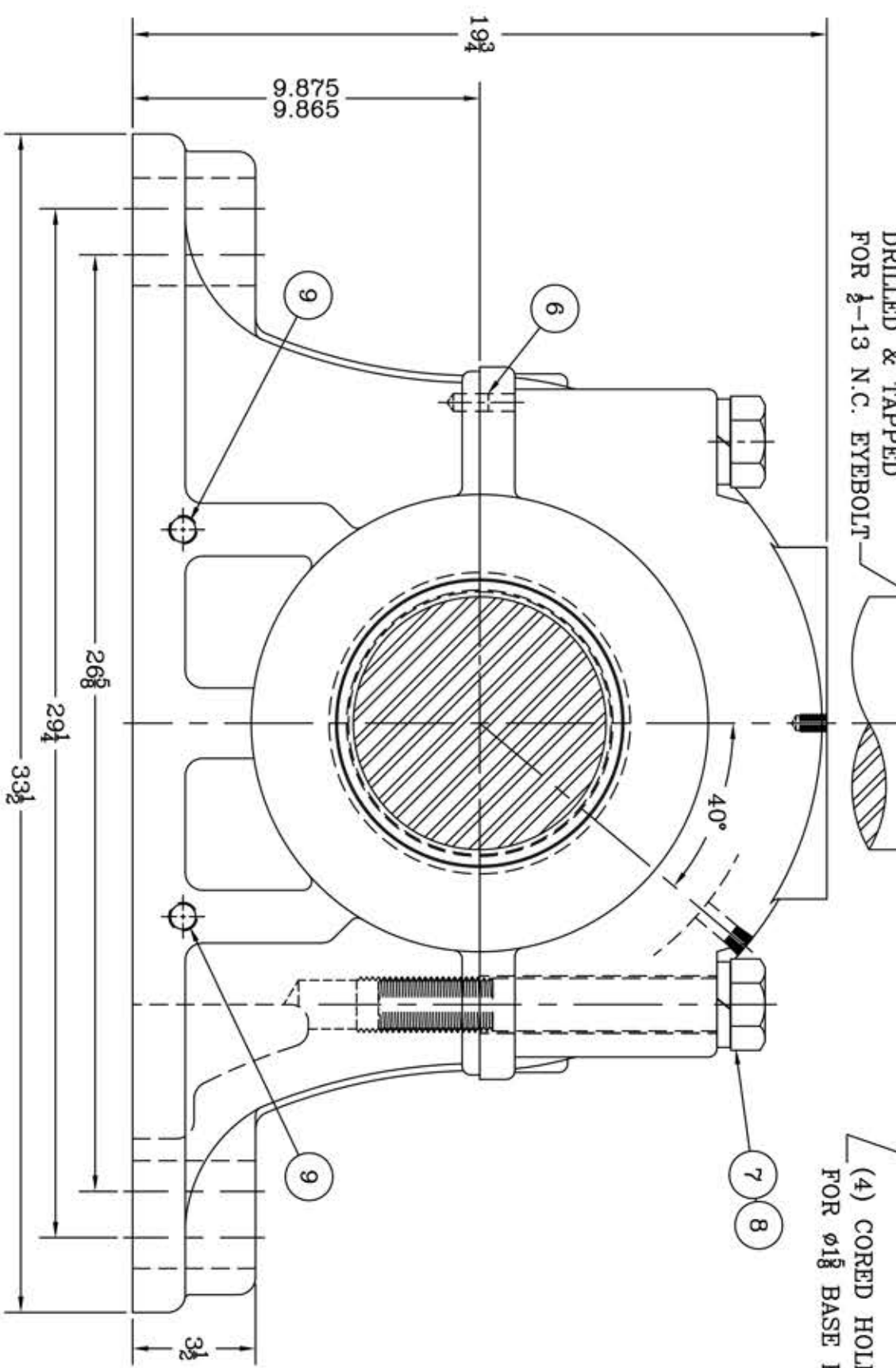
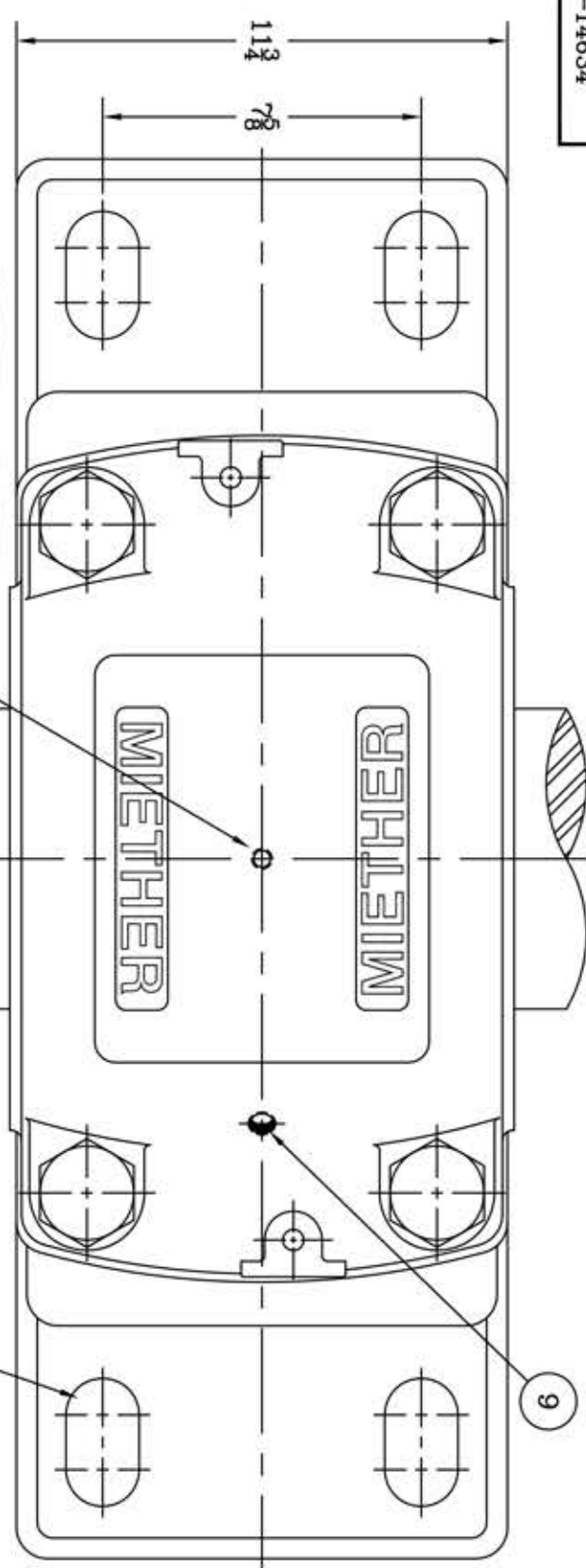
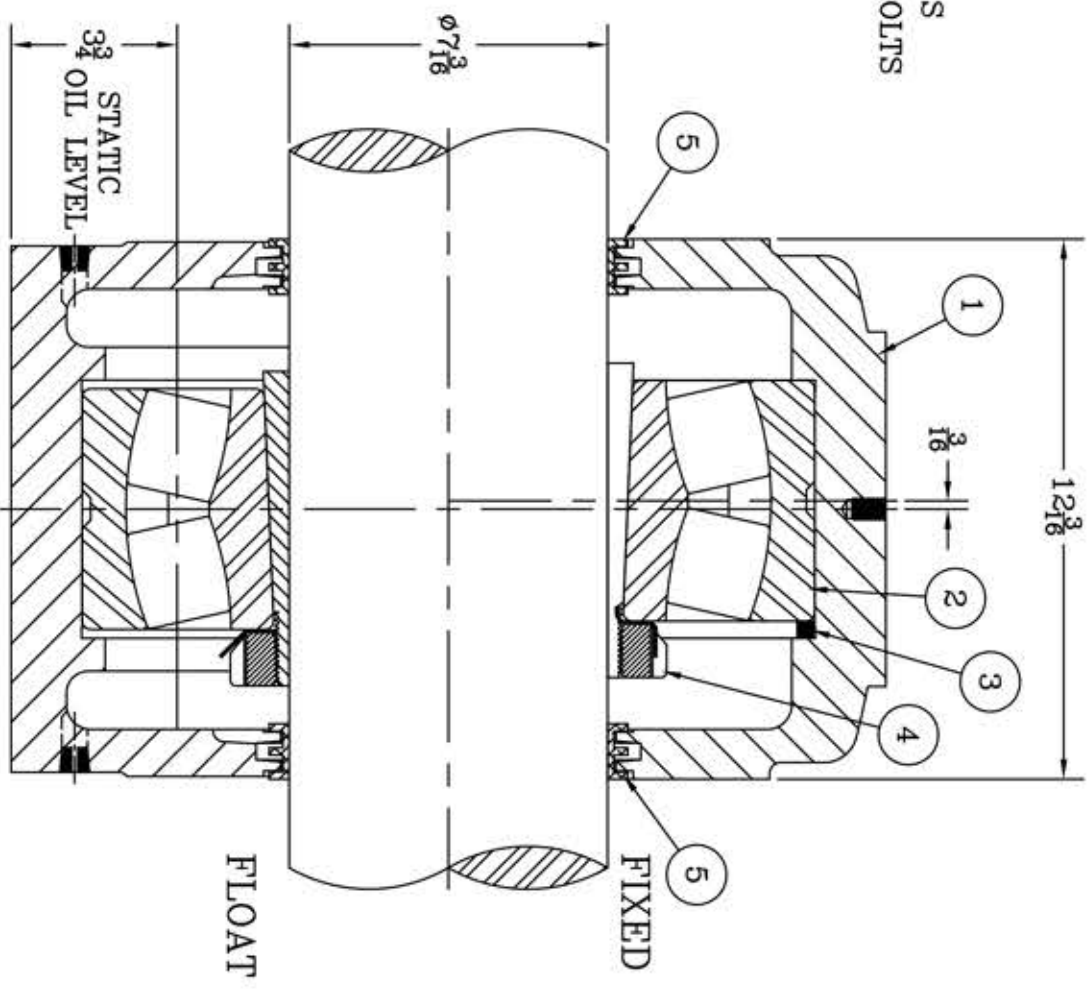


This drawing is the sole property of Miether Bearing Products and contains confidential and proprietary information. It is being provided to you for your use and may not be disclosed to any third party or used for any other purpose without Miether's prior written consent. The [materials] must be returned to the Company upon its demand. Your acceptance of these materials constitutes your acceptance of the foregoing terms.

C-14634



ITEM	DESCRIPTION	DETAIL	REQUIRED
1	HOUSING SDAF 640	C-15264	1 1
2	SPHERICAL ROLLER BEARING	22340K/W33	1 1
3	STABILIZING RING SR-0-40	A-10463	1 0
4	ADAPTER SNW 140 07-03	24477	1 1
5	TRIPLE SEAL RING LER-228	B-15098	2 2
6	DOWEL	φ 1/2 x 1 LONG	2 2
7	CAP BOLT HEX. HEAD	1 1/2-6 NC x 10 LG.	4 4
8	LOCKWASHER	1 1/2 SPLIT MED.	4 4
9	PIPE PLUG	3/8-27 NPPT	5 5



REDRAWN ON COMPUTER
AR per KAB
5-17-04

REVISIONS

SYMBOL	DESCRIPTION
✓	16
∇	32
∇	63
∇	125
∇	250
∇	500
∇	1000

TOLERANCE: UNLESS OTHERWISE SPECIFIED

FRACTIONS $\pm 1/32"$ ANGLES $\pm 0^\circ 30'$
 DECIMALS $\pm .005"$ WELD $\pm 1/16"$
 CASTING $\pm 1/16"$

AN ALCO INDUSTRIES COMPANY
 BEARING PRODUCTS
 ODESSA, TX. USA

SDAF 22640 07-03
 ASSEMBLY DRAWING
 SCALE 1 = 3
 DRAWN CJ
 DATE 5/24/72
 CHK: C-14634