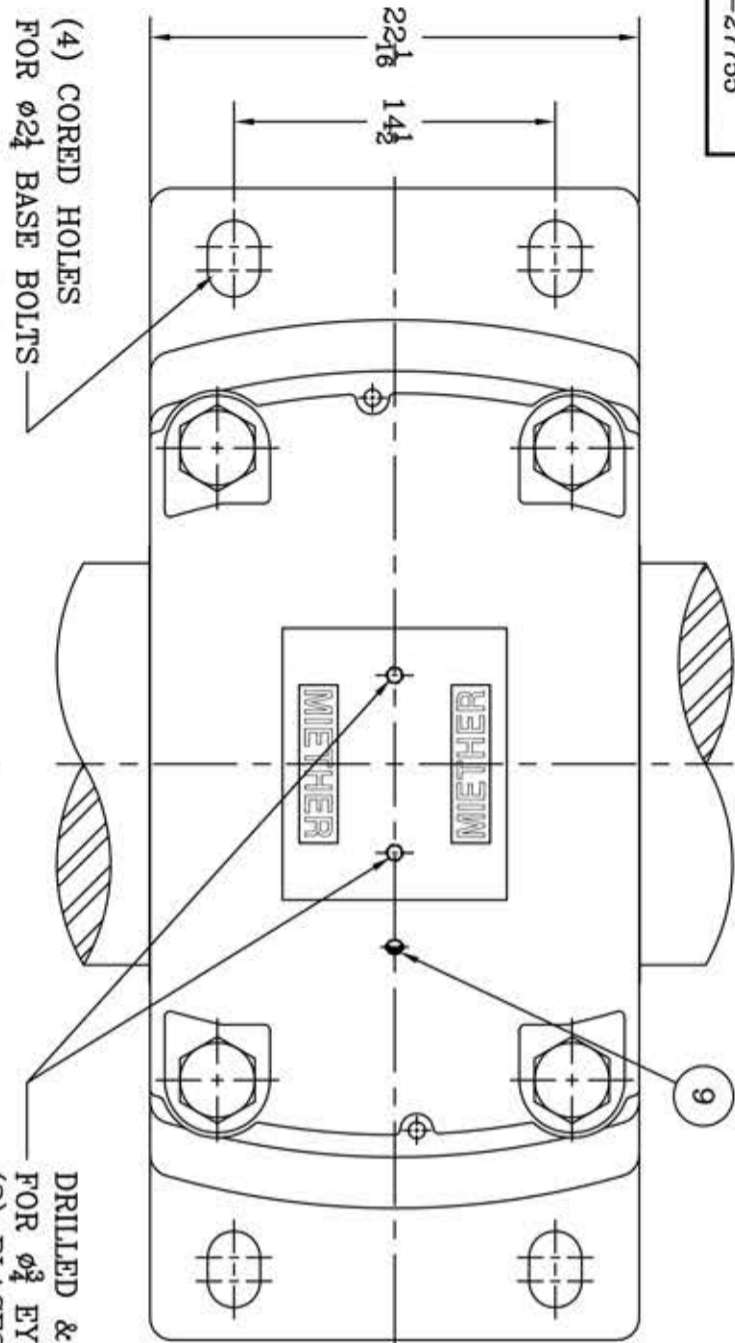


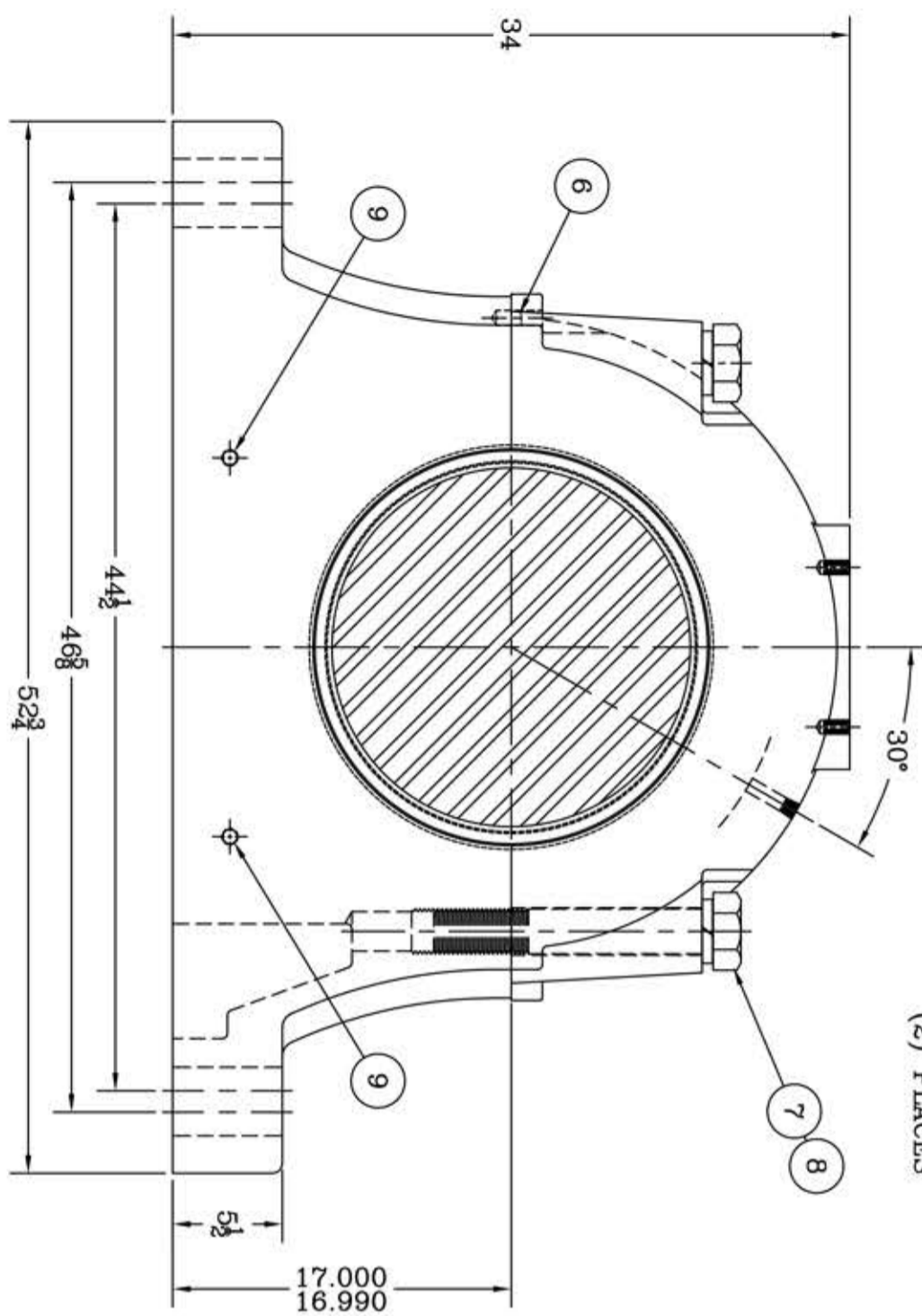
This drawing is the sole property of Miether Bearing Products and contains confidential and proprietary information. It is being provided to you for your use and may not be disclosed to any third party or used for any other purpose without Miether's prior written consent. The [materials] must be returned to the Company upon its demand. Your acceptance of these materials constitutes your acceptance of the foregoing terms.

C-27755



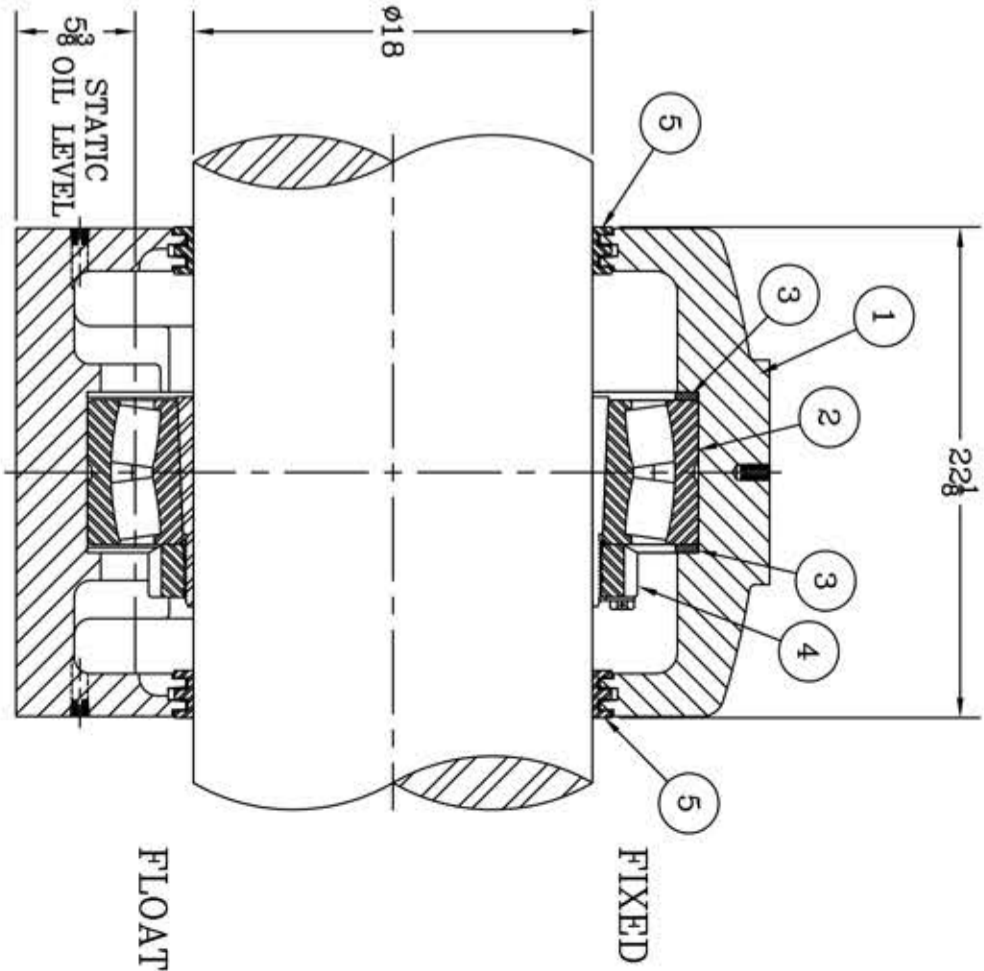
(4) CORED HOLES FOR $\phi 2\frac{1}{8}$ BASE BOLTS

DRILLED & TAPPED FOR $\phi 3$ EYEBOLT (2) PLACES



(A)

ITEM	DESCRIPTION	DETAIL	REQUIRED
1	HOUSING SDAF 096K 18-00	C-27754-R	1 1
2	SPHERICAL ROLLER BEARING	23096K/W-33	1 1
3	STABILIZING RING SR-8984	A-19610	2 0
4	ADAPTER SNP 3096 18-00	B-10213	1 1
5	TRIPLE SEAL RING ER-888	A-18257	2 2
6	DOWEL	$\phi 3$ x 1" LONG	2 2
7	CAP BOLT HEX. HEAD	$2\frac{1}{4}$ - $4\frac{1}{2}$ NC x 14" LONG	4 4
8	LOCKWASHER	$2\frac{1}{4}$ SPLIT MED.	4 4
9	PIPE PLUG	$\frac{1}{2}$ -14 NPT	5 5



FLOAT

FIXED

STAB RING WAS (1) A-8976 AR per KAB 6-3-05

REVISIONS

SYMBOL	DESCRIPTION
C	...
D	...
E	...
F	...
G	...
J	...
K	...

TOLERANCE: UNLESS OTHERWISE SPECIFIED
 FRACTIONS $\pm 1/32$ "
 DECIMALS $\pm .005$ "
 CASTING $\pm 1/16$ "
 WELD $\pm 1/16$ "
 ANGLES $\pm 0^\circ 30'$

SDAF 23096 K 18-00
 ASSEMBLY DRAWING
 SCALE 1 = 6
 DRAWN OMI
 DATE 1/31/97
 ASSEMBLY NO. C-27755-R
 DRAWING NO. C-27755
 CHK.

