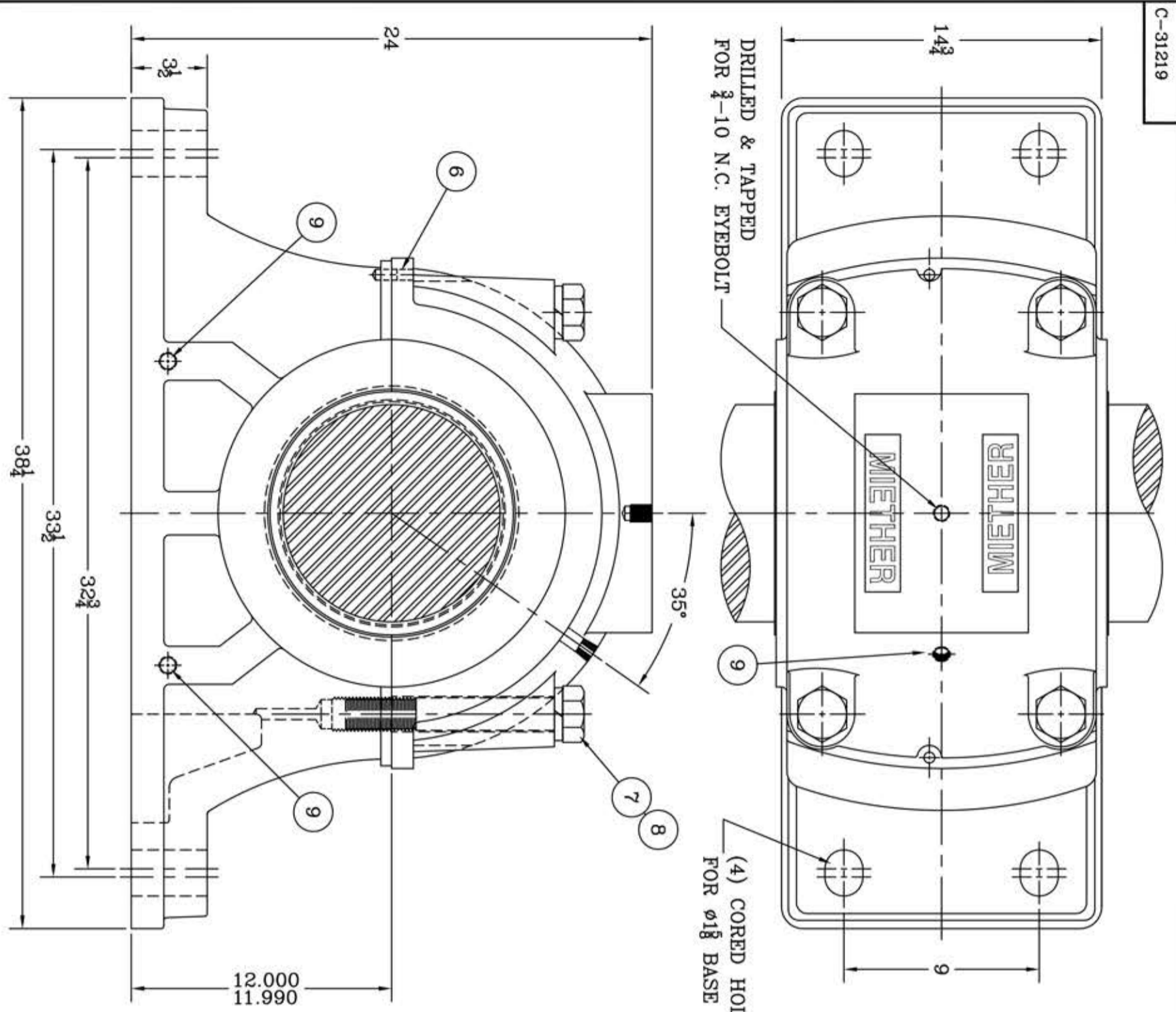
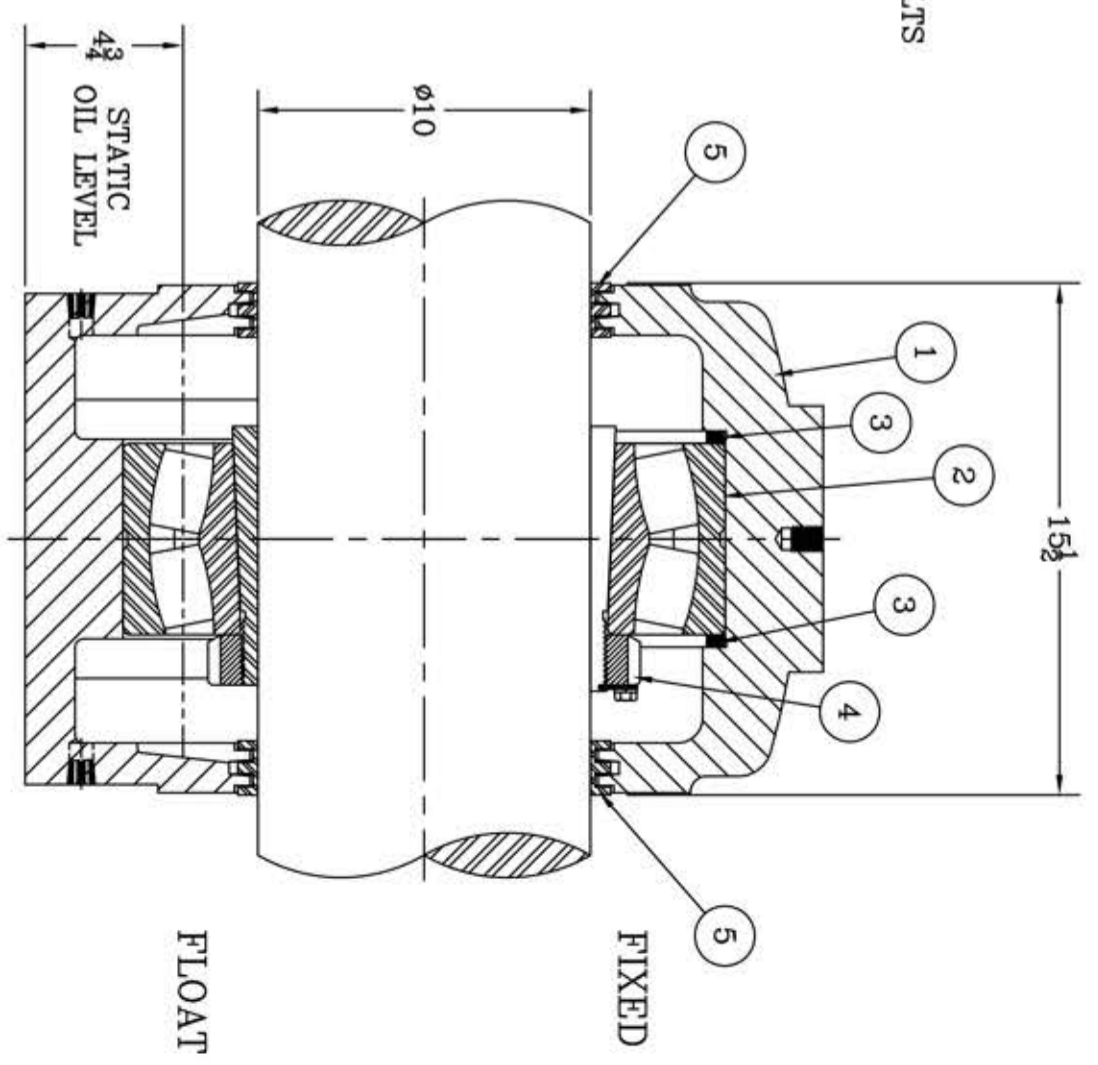


This drawing is the sole property of Miether Bearing Products and contains confidential and proprietary information. It is being provided to you for your use and may not be disclosed to any third party or used for any other purpose without Miether's prior written consent. The [materials] must be returned to the Company upon its demand. Your acceptance of these materials constitutes your acceptance of the foregoing terms.

C-31219




ITEM	DESCRIPTION	DETAIL	REQUIRED
1	HOUSING SDAF 3156K 10-00	C-19797	1 1
2	SPHERICAL ROLLER BEARING	23156K/W33	1 1
3	STABILIZING RING A8967	A-10549	2 0
4	ADAPTER SNP-3156 10-00	24298	1 1
5	TRIPLE SEAL RING ER-820 S	A-15538	2 2
6	DOWEL	$\phi 1/2$ x 1" LONG	2 2
7	CAP BOLT HEX. HEAD	$1 1/2$ -6 NC x 10" LONG	4 4
8	LOCKWASHER	$1 1/2$ SPLIT MED.	4 4
9	PIPE PLUG	$1/2$ -14 NPT	5 5



REVISIONS

SYMBOL	DESCRIPTION
✓	16
✓	32
✓	63
✓	125
✓	250
✓	500
✓	1000

TOLERANCE: UNLESS OTHERWISE SPECIFIED  
 FRACTIONS  $\pm 1/32$ " ANGLES  $\pm 0^\circ 30'$   
 DECIMALS  $\pm .005$  WELD  $\pm 1/16$ "  
 CASTING  $\pm 1/16$ "  
 A.I.S.I. STANDARD FINISHES

  
 AN ALCO INDUSTRIES COMPANY  
 ODESSA, TX. USA

SDAF 23156 K 10-00  
 ASSEMBLY DRAWING  
 SCALE 1 = 4  
 DRAWN RWB  
 DATE 12/15/04  
 CHECK:

ASSEMBLY NO.  
 DRAWING NO. C-31219