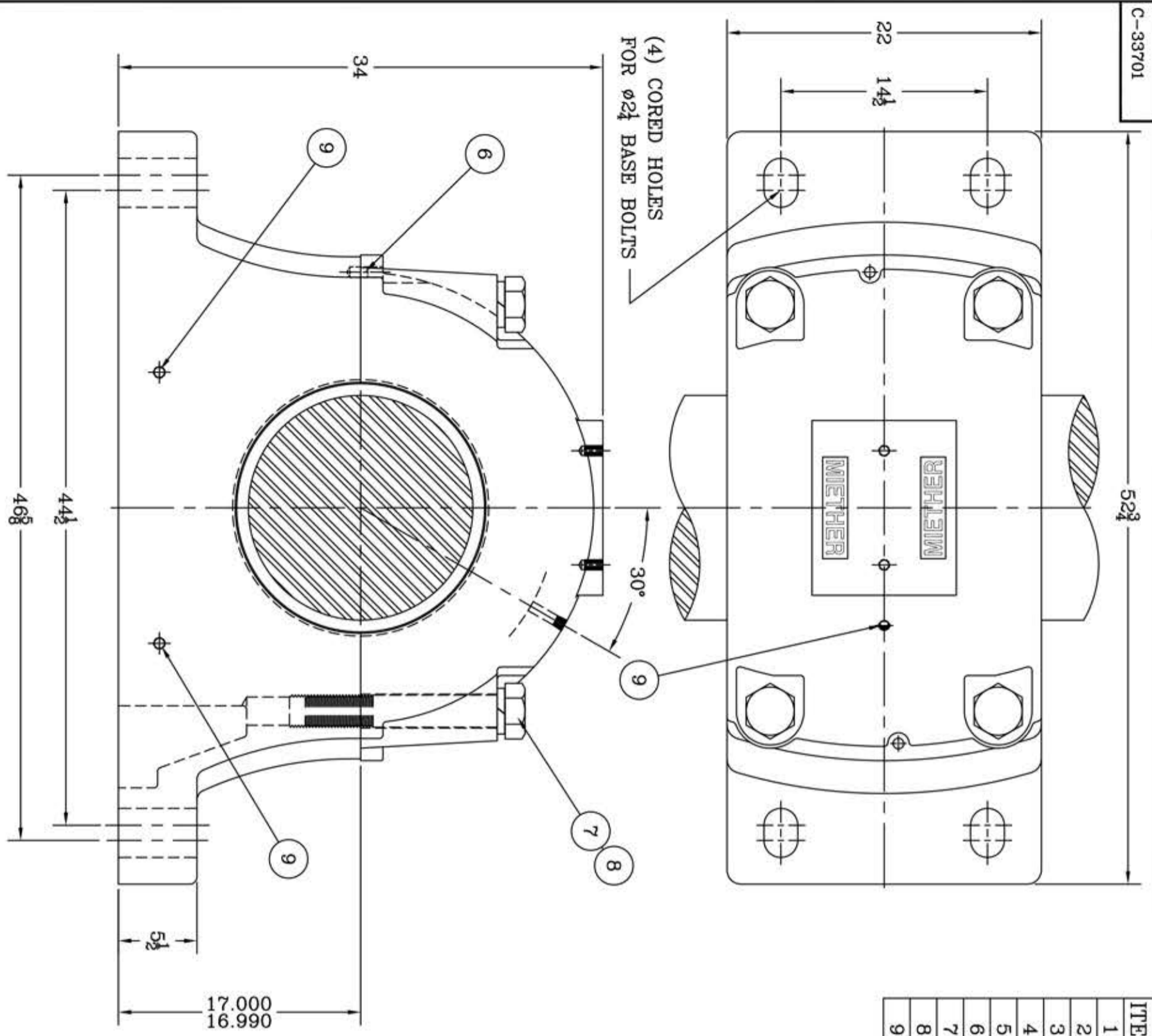
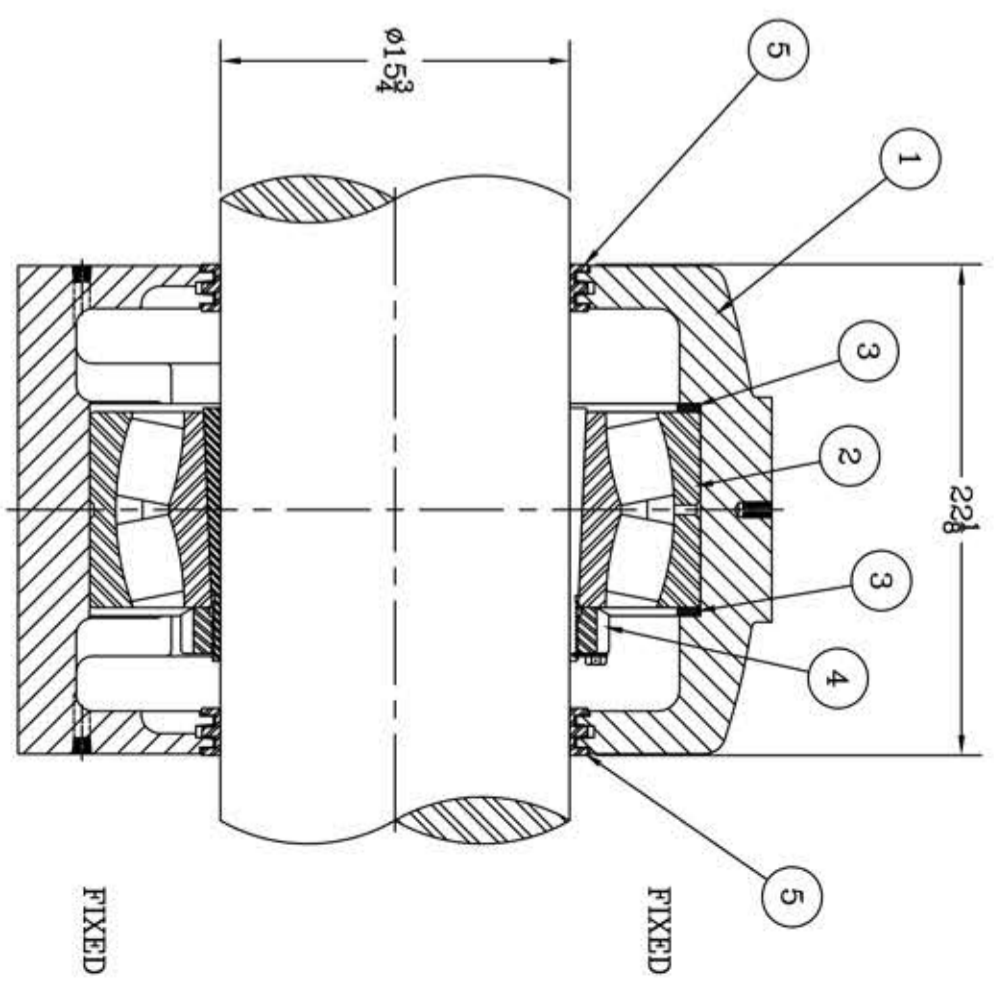


This drawing is the sole property of Miether Bearing Products and contains confidential and proprietary information. It is being provided to you for your use and may not be disclosed to any third party or used for any other purpose without Miether's prior written consent. The [materials] must be returned to the Company upon its demand. Your acceptance of these materials constitutes your acceptance of the foregoing terms.



| ITEM | DESCRIPTION | DETAIL | REQUIRED |
|------|---------------------------|---------------------------|----------|
| 1 | HOUSING SDAF 3184 K 15-12 | C- | 1 1 |
| 2 | SPHERICAL ROLLER BEARING | 23184K/W-33 | 1 1 |
| 3 | STABILIZING RING A-8984 | A-19610 | 2 0 |
| 4 | ADAPTER SNP 3184 15-12 | | 1 1 |
| 5 | TRIPLE SEAL RING ER-914 | A-20561 | 2 2 |
| 6 | DOWEL | Ø 1/2 x 1" LONG | 2 2 |
| 7 | CAP BOLT HEX. HEAD | 2 1/4-4 1/2 NC x 14" LONG | 4 4 |
| 8 | LOCKWASHER | 2 1/4 SPLIT MED. | 4 4 |
| 9 | PIPE PLUG | 1/2-14 NPT | 5 5 |



| REVISIONS | |
|-----------|-------------|
| SYMBOL | DESCRIPTION |
| ✓ | 16 |
| ✓ | 32 |
| ✓ | 63 |
| ✓ | 125 |
| ✓ | 250 |
| ✓ | 500 |
| ✓ | 1000 |

TOLERANCE: UNLESS OTHERWISE SPECIFIED
 FRACTIONS $\pm 1/32"$ ANGLES $\pm 0^\circ 30'$
 DECIMALS $\pm .005"$ WELD $\pm 1/16"$
 CASTING $\pm 1/16"$
 A.I.S.I. STANDARD FINISHES
 AN ALCO INDUSTRIES COMPANY
 BEARING PRODUCTS
 ODESSA, TX. USA
 SDAF 23184 K 15-12
 ASSEMBLY DRAWING
 SCALE 1 = 6
 DRAWN KAB
 DATE 1/5/09
 ASSEMBLY NO.
 DRAWING NO.
 C-33701