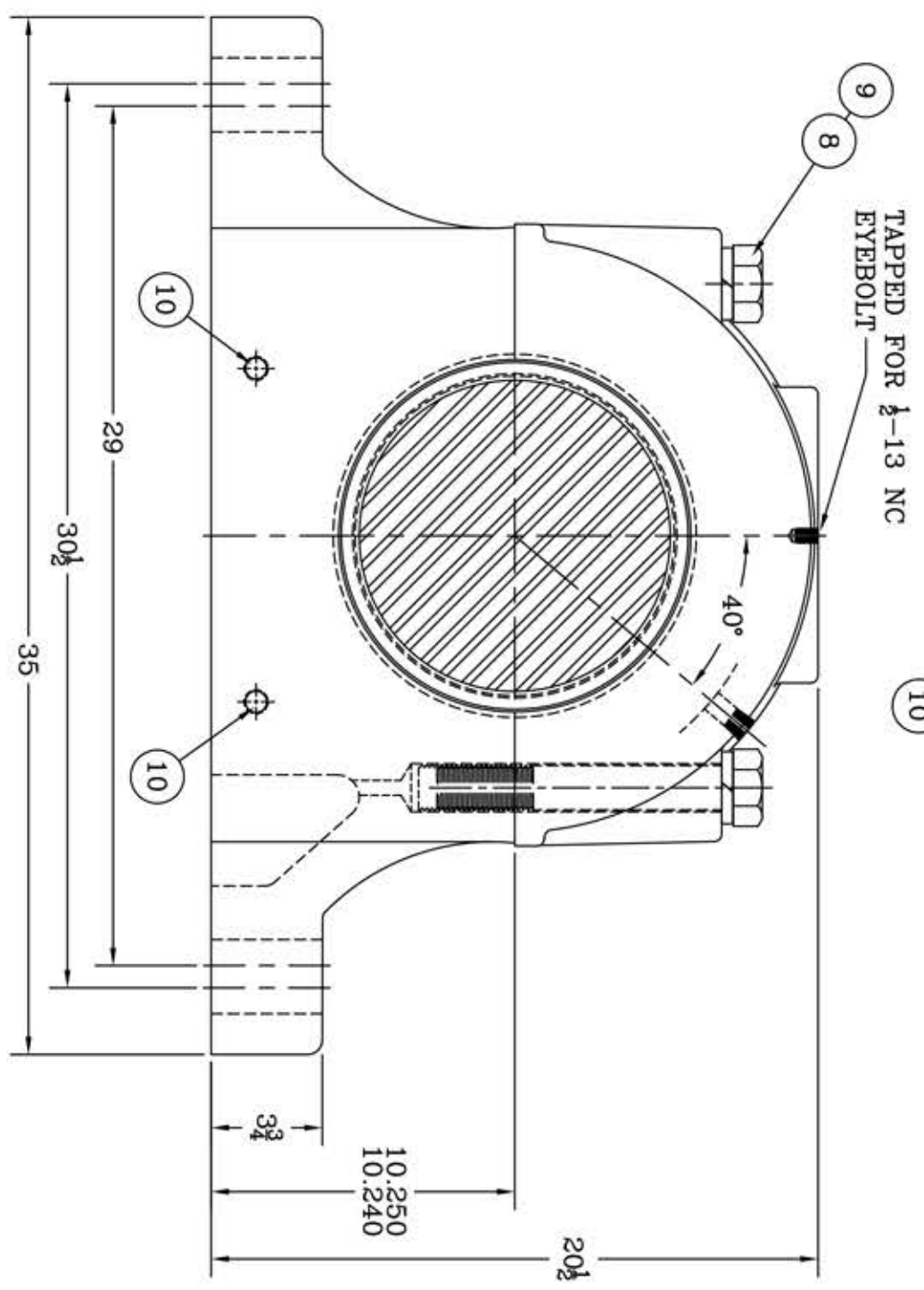
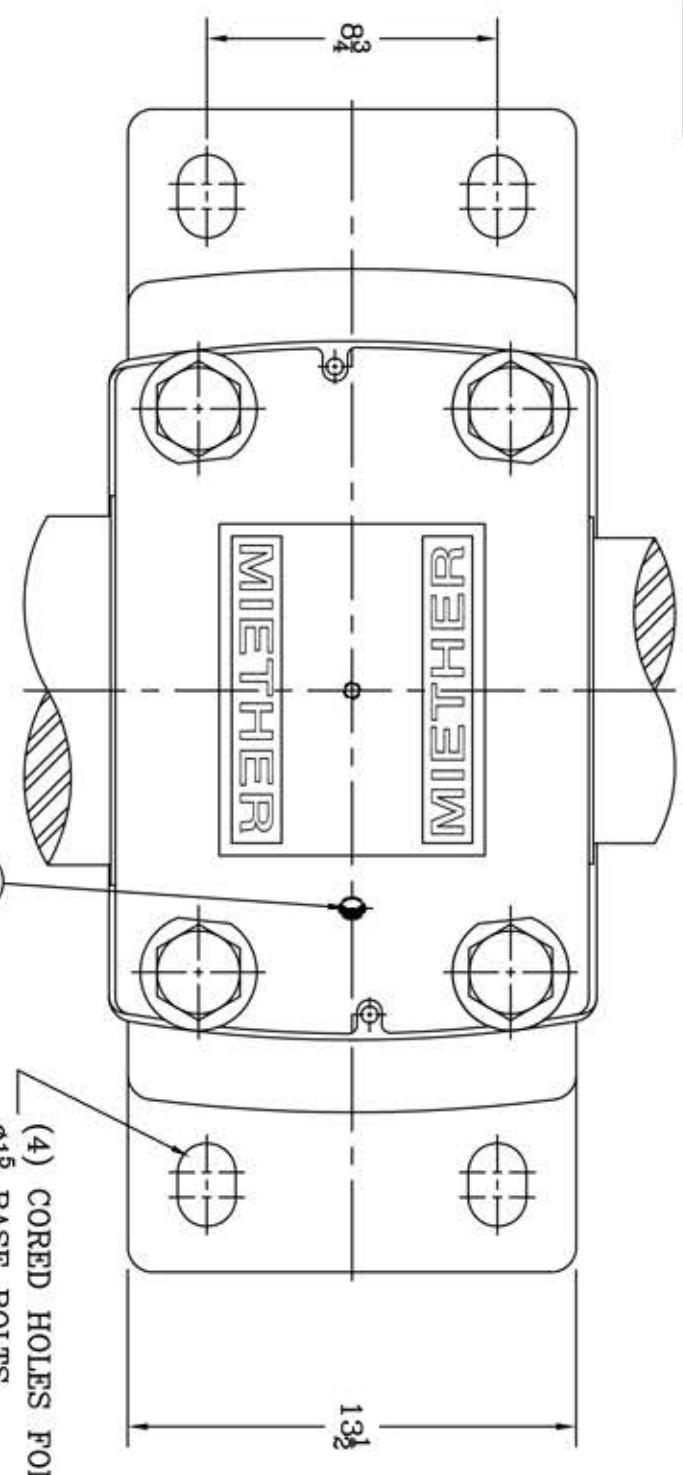
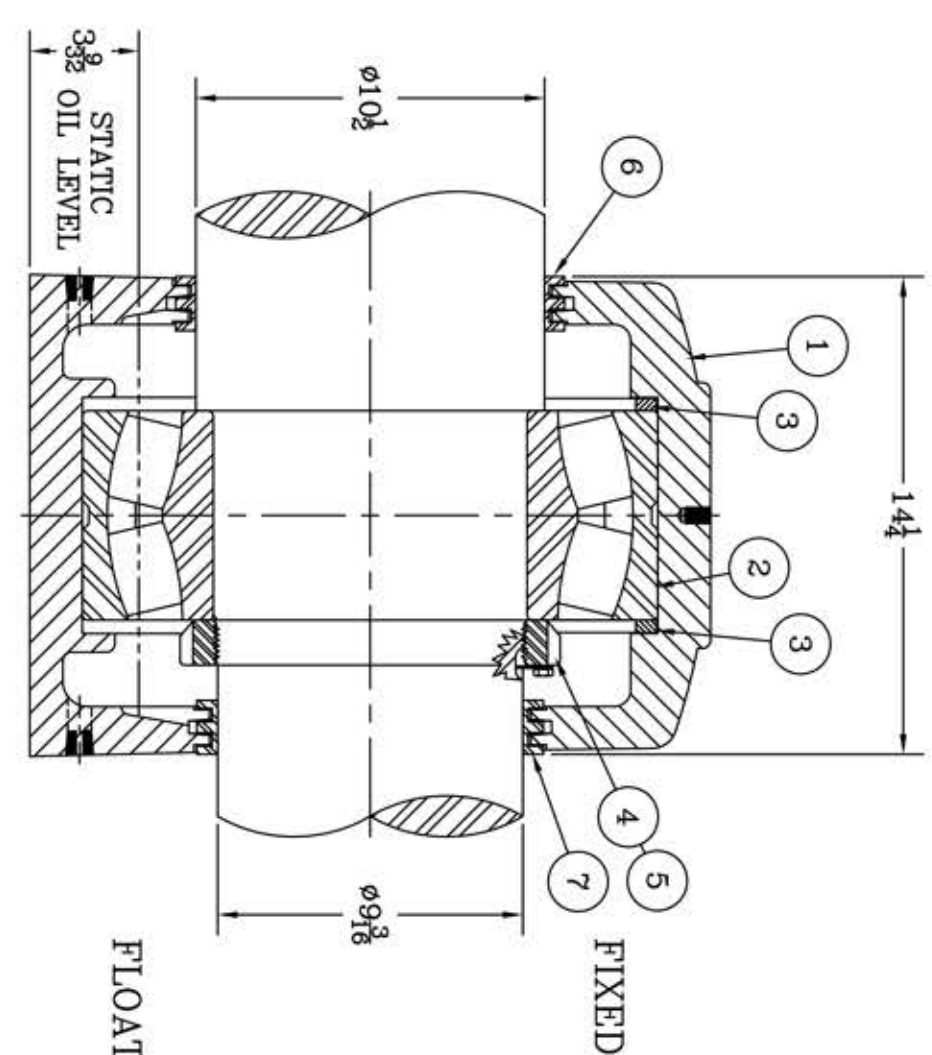


This drawing is the sole property of Miether Bearing Products and contains confidential and proprietary information. It is being provided to you for your use and may not be disclosed to any third party or used for any other purpose without Miether's prior written consent. The [materials] must be returned to the Company upon its demand. Your acceptance of these materials constitutes your acceptance of the foregoing terms.

C-28261



ITEM	DESCRIPTION	DETAIL	REQUIRED PCD. PLT.
1	HOUSING SDAF 3248	C-30571-R	1 1
2	SPHERICAL ROLLER BEARING	23248/W33	1 1
3	STABILIZING RING A-5679	A-15611	2 0
4	LOCKNUT N-048	B-10177	1 1
5	LOCKWASHER W-48	~~~~~	1 1
6	TRIPLE SEAL RING ER-840	A-15705	1 1
7	TRIPLE SEAL RING ER-923	A-26398	1 1
8	CAP BOLT HEX HEAD GR. 2	1 1/2-6 NC x 10" LONG	4 4
9	LOCKWASHER	1 1/2 SPLIT MED.	4 4
10	PIPE PLUG	1/2-14 NPT	5 5



REVISIONS	
SYMBOL	DESCRIPTION
✓	16
✓	32
✓	63
✓	125
✓	250
✓	500
✓	1000

TOLERANCE: UNLESS OTHERWISE SPECIFIED  
 FRACTIONS  $\pm 1/32$ " ANGLES  $\pm 0^\circ 30'$   
 DECIMALS  $\pm .005$ " WELD  $\pm 1/16$ "  
 CASTING  $\pm 1/16$ "

A.S.I. STANDARD FINISHES

AN ALCO INDUSTRIES COMPANY  
 BEARING PRODUCTS  
 ODESSA, TX. USA

SDAF 23248 10-08 x 09-03  
 ASSEMBLY DRAWING  
 SCALE 1 = 4  
 DRAWN AR  
 DATE 6/23/04  
 CHECK: C-28261