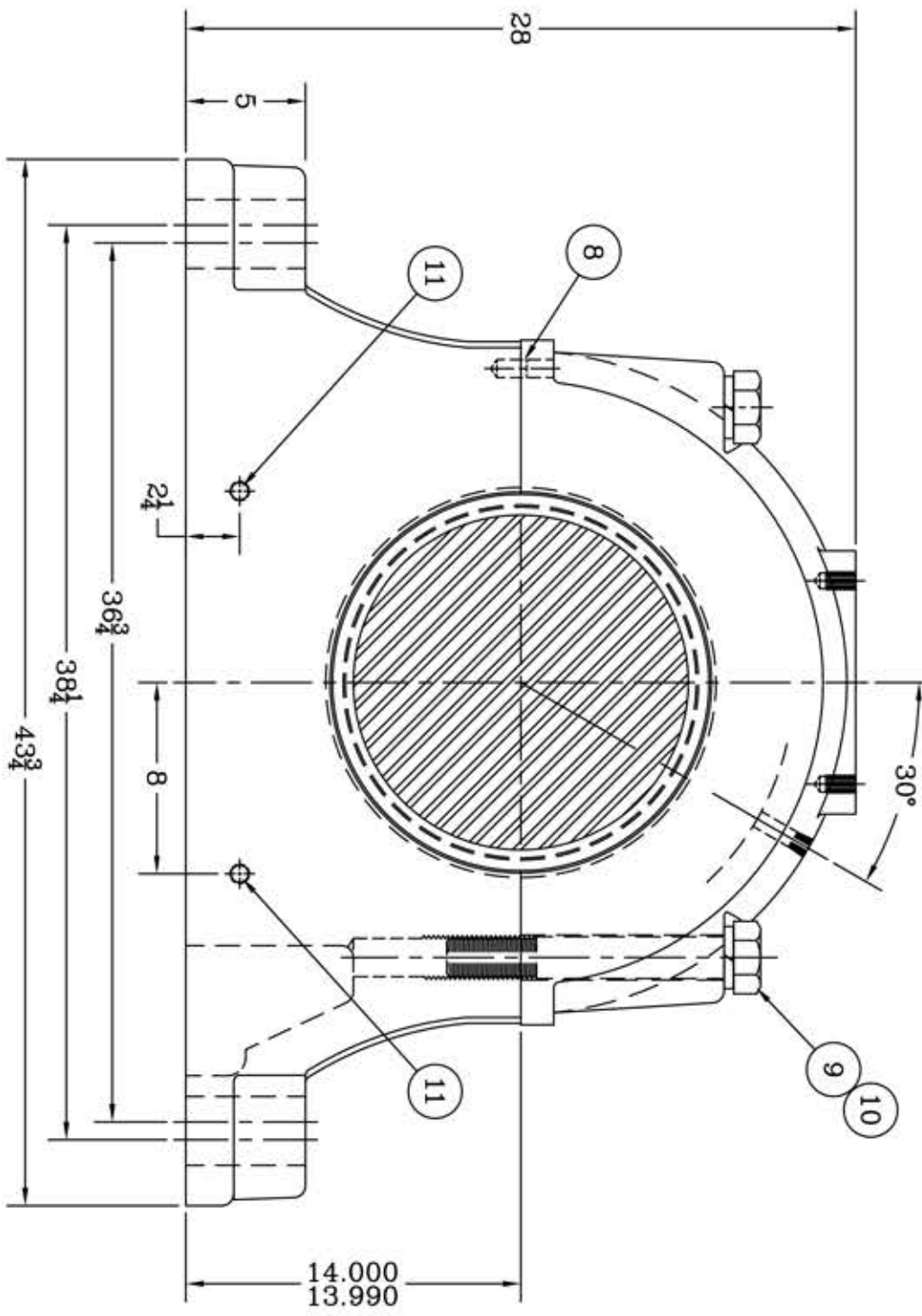
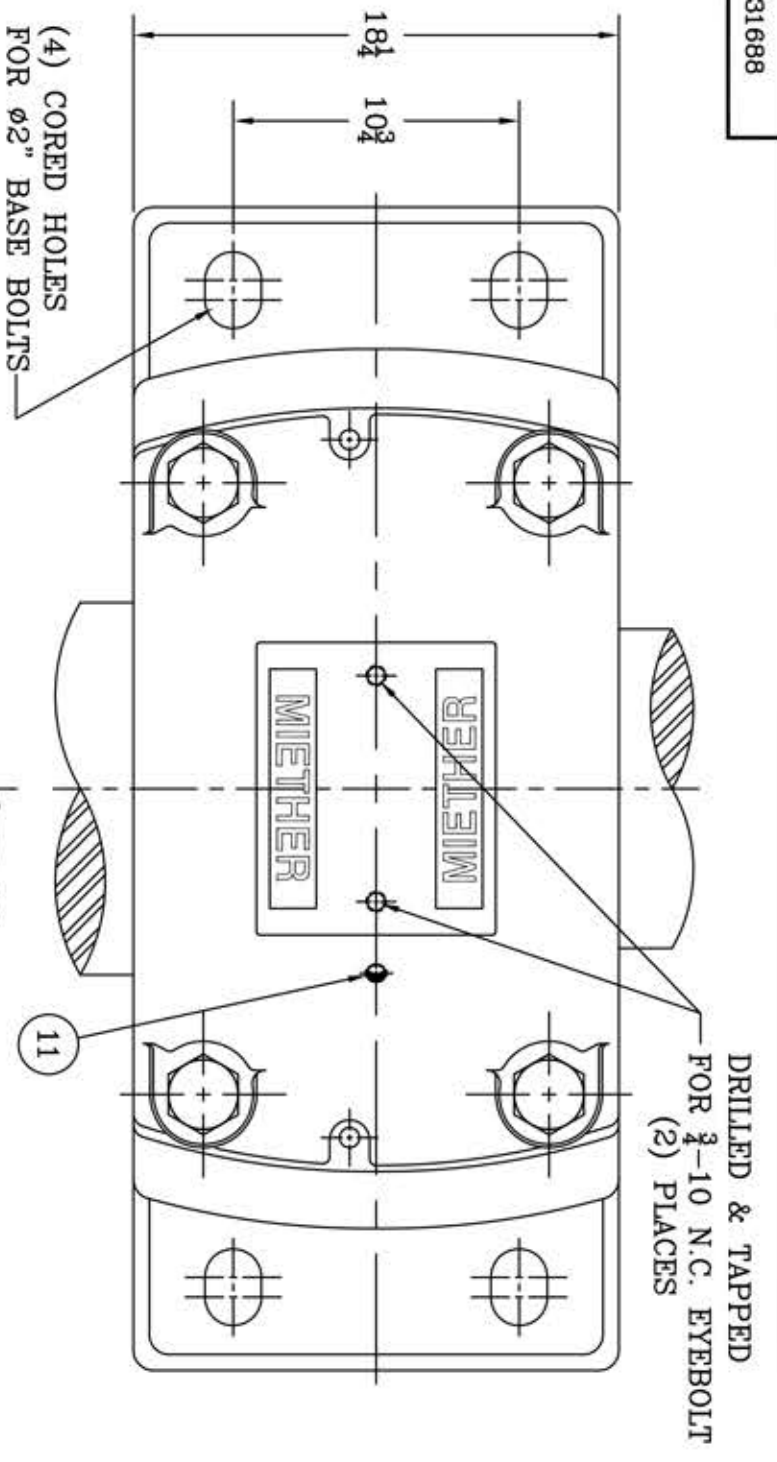
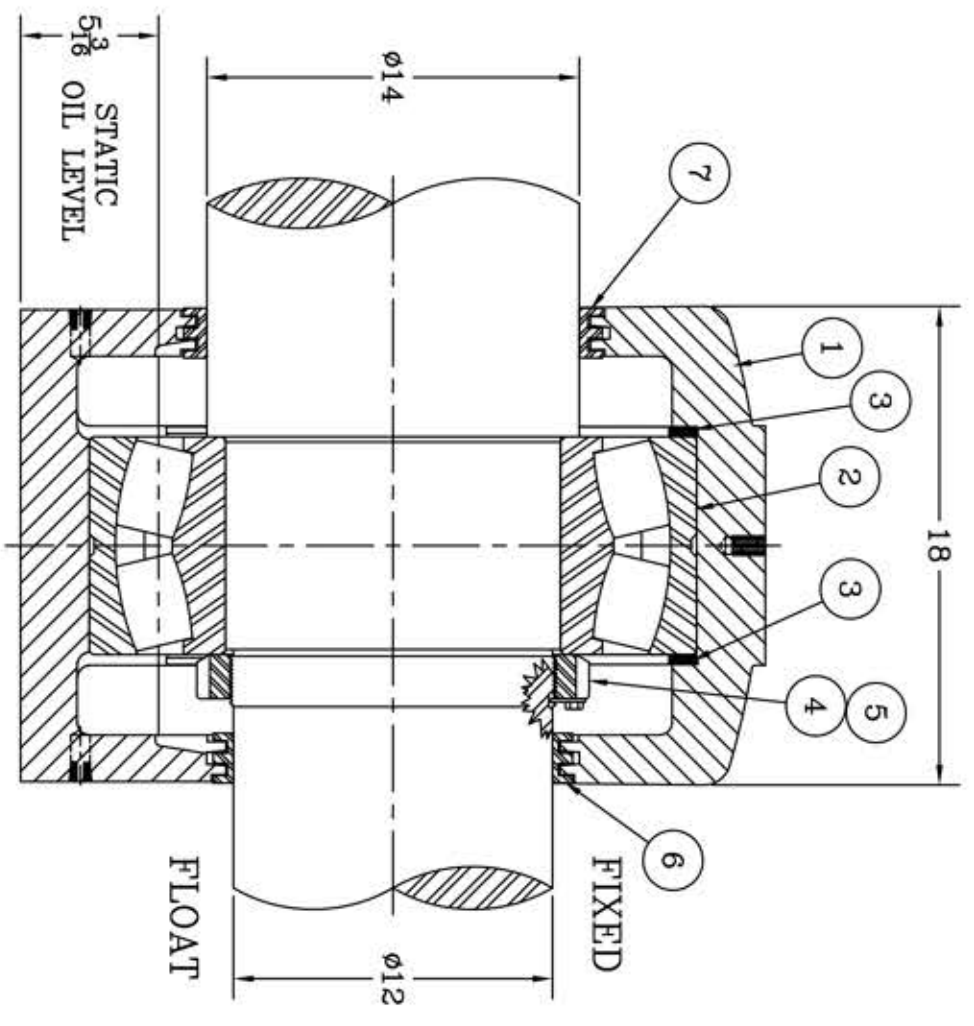


This drawing is the sole property of Miether Bearing Products and contains confidential and proprietary information. It is being provided to you for your use and may not be disclosed to any third party or used for any other purpose without Miether's prior written consent. The [materials] must be returned to the Company upon its demand. Your acceptance of these materials constitutes your acceptance of the foregoing terms.

C-31688



| ITEM | DESCRIPTION | DETAIL | REQUIRED |
|------|---------------------------|-----------------------|----------|
| 1 | HOUSING SDAF 3264 14 x 12 | C-31688-R | 1 1 |
| 2 | SPHERICAL ROLLER BEARING | 23264/W-33 | 1 1 |
| 3 | STABILIZING RING A8977 | A-20644 | 2 0 |
| 4 | LOCKNUT N-064 | B-10052 | 1 1 |
| 5 | LOCKPLATE P-64 | A-10156 | 1 1 |
| 6 | TRIPLE SEAL RING ER-884 | A-12085 | 1 1 |
| 7 | TRIPLE SEAL RING ER-876 | A-10760 | 1 1 |
| 8 | DOWEL | Ø2 x 1 1/4 LONG | 2 2 |
| 9 | CAP BOLT HEX HEAD | 1 1/2-5 NC x 12" LONG | 4 4 |
| 10 | LOCKWASHER | 1 1/2 SPLIT MED. | 4 4 |
| 11 | PIPE PLUG | 1/2-14 NPT | 5 5 |



REDRAWN FOR CONFORMITY
RWB per KAB
12-4-04

REVISIONS

| SYMBOL | DESCRIPTION |
|--------|-------------|
| C | REVISIONS |
| D | REVISIONS |
| E | REVISIONS |
| F | REVISIONS |
| G | REVISIONS |
| J | REVISIONS |
| K | REVISIONS |

TOLERANCE: UNLESS OTHERWISE SPECIFIED
FRACTIONS ± 1/32" ANGLES ± 0°-30'
DECIMALS ± .005" WELD ± 1/16"
CASTING ± 1/16"

A.S.I. STANDARD FINISHES

AN ALCO INDUSTRIES COMPANY
BEARING PRODUCTS
ODESSA, TX. USA

| | |
|------------------|---------------|
| SDAF 23264 | 14-00 x 12-04 |
| ASSEMBLY DRAWING | |
| SCALE 1 = 5 | ASSEMBLY NO. |
| DRAWN AR | DRAWING NO. |
| DATE 3/1/04 | CHEK: |
| CHK: | C-31688 |